

somfy [®]	05/10/2007	ILMO 50 WT TECHNICAL DATA	DMKI - FPTE RANGE 1 ILMO 50 WT Range1 R0
---------------------------	------------	----------------------------------	--

Nominal voltage	230 V - 50Hz
Power supply tolerances	207 - 253 V
Thermal time	4 minutes for all motors
Number of wires of the cable	4
Wire section	0,75 mm ²
Type of head	Star head
Type of limit switch unit	Electronic
Type of adjusting of the end limits	Self detection of rotation and Automatic ajustement dedicated for Roller shutter with rigid lings and stoppers
Capacity of the LSU	Limited to 3 minutes of rotation
Repeatability	Stop always at the torque detection limit for nominal torque <= 15Nm & less <± 5° torque >= 20Nm
System of protection	IP 44
Interface drawing	Screw implantation for LT50 mounting 206810-Wheel interface LT50 206821-Crown interface LT50 206822-Interface drawing star head LT50 and LT50PA/PS 206823-
End product protection	At the up and down direction
Accessories compatibility	ABS wheel: Not Compatible - Differential: Not compatible - Double insulation accesories : Compatible
Maximun time of functioning without stop	3 minutes
Basic crown for tube Ø	50 x 1,5 mm
Temperature working range	Normal use : -10°C to +40°C Exceptionnal use (20% of the life time not simultaneous) : -20°C to + 70°C
Noise level	According to SOMFY measures (for information only).Worse value : in load up direction during 10 seconds.

Designation	Nm	rpm	Reference	mm	mm	mm	mm	W	A	°C	Brake type	kg	dBa
	Nominal torque	Nominal speed		L1 max.	L2 (±3 mm)	L3 max.	tube	Rated power	Rated current	Thermal tripping		Weight	Noise
ILMO WT 6/17	6	17	5051108A	505	490	513	440	90	0,4	140	sliding	1,72	46
ILMO WT 10/17	10	17	5051110A	505	490	513	440	120	0,5	140	sliding	1,85	47
ILMO WT 15/17	15	17	5051113A	525	510	533	460	140	0,65	150	sliding	1,95	48
ILMO WT 20/17 "not yet qualified"	20	17	5051115A	655	640	663	590	160	0,75	150	sliding	2,15	53
ILMO WT 30/17 "not yet qualified"	30	17	5051118A	675	660	683	610	240	1,1	150	sliding	2,55	55
ILMO WT 35/17 "not yet qualified"	35	17	5051119A	675	660	683	610	240	1,1	150	sliding	2,55	56

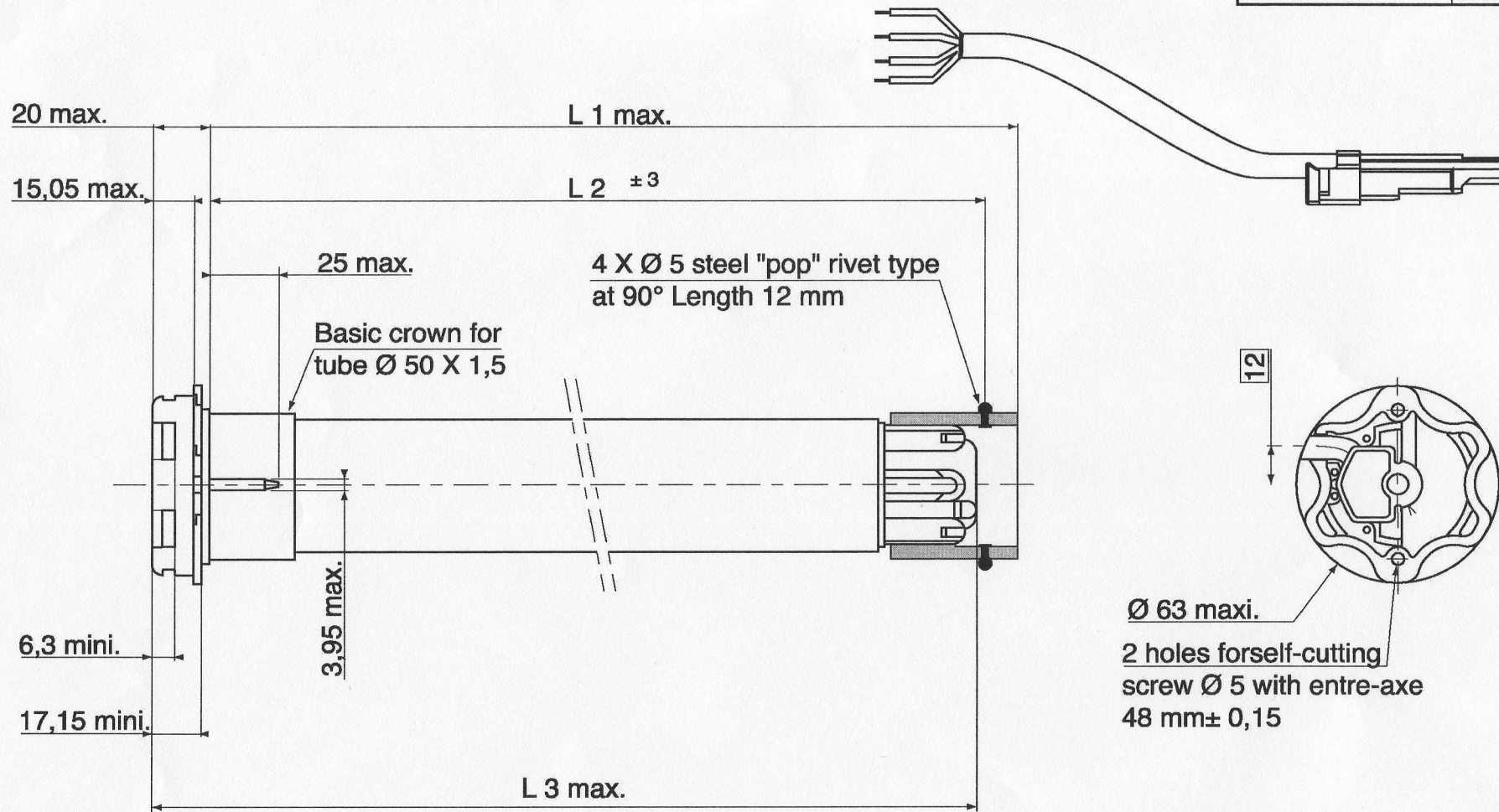


05/10/2007

ILMO 50 WT TECHNICAL DATA

RANGE 1

WIRING	Neutral	Blue
	Direction 1	Brown
	Direction 2	Black
	Earth	Green / Yellow



Visa : DT c. Decois Quality *x chovot* Mkg *J. Chautagnat*

Decois

[Signature]