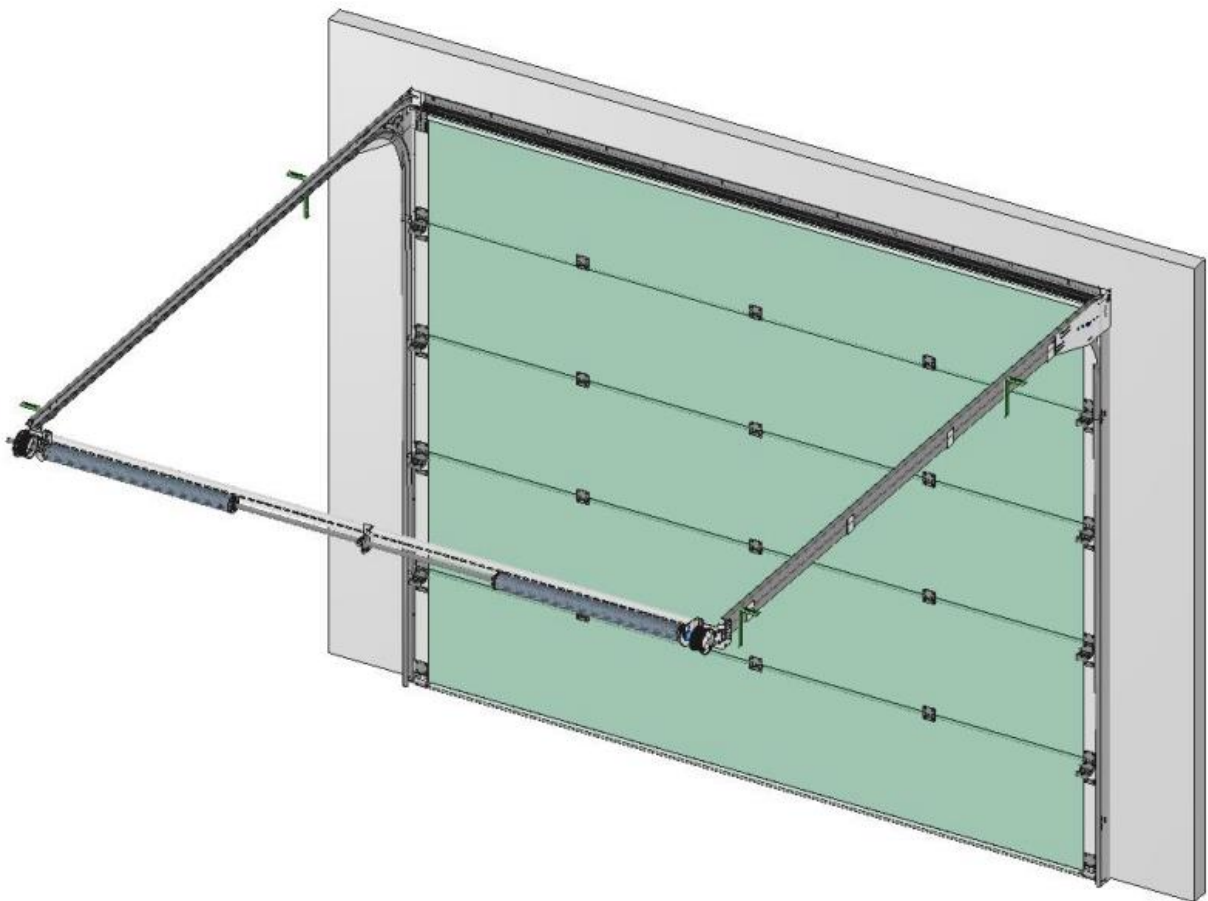




MANUFACTURER OF THE SECTIONAL GARAGE DOOR

SEGMENTAL GARAGE DOOR ASSEMBLY INSTRUCTIONS SRF 70



WWW.FILL.COM.PL

1. WARRANTY CONDITIONS:

THE INSTRUCTIONS HAVE BEEN MADE TO BE USED BY QUALIFIED PERSONS AND NOT INTENDED FOR USE BY UNAUTHORISED PERSONS OR DO-IT-YOURSELF ENTHUSIASTS. THE INSTRUCTIONS HAVE BEEN PREPARED IN DRAWINGS AND DESCRIPTIVE PART. IN CASE OF QUESTIONS REGARDING ASSEMBLY OR UNCLEAR INSTRUCTIONS, PLEASE CONTACT FILL. THE INSTRUCTIONS ONLY PRESENT THE CORRECT ASSEMBLY OF THE DOOR ELEMENTS.

2. ASSEMBLY CONDITIONS:

UNPROFESSIONAL ASSEMBLY, ANY ALTERATIONS TO GARAGE DOOR OR THE MOTOR, WHICH DO NOT COMPLY WITH THIS INSTRUCTIONS MAY CAUSE DAMAGE TO ELEMENTS WHICH ARE COMPONENTS OF THE DOOR, OR BODILY HARM TO THE PEOPLE OPERATING THE DOOR. IT ALSO APPLIES TO DAMAGE CAUSED AS A RESULT OF IMPROPER OPERATING OR NOT FOLLOWING THE INSTRUCTIONS GIVEN HERE. THE PRESENTED SYSTEM FOR RESIDENTIAL BUILDINGS CAN BE ASSEMBLED, CONNECTED AND OPERATED ONLY BY TRAINED PEOPLE.

- THE GARAGE DOOR CAN BE ASSEMBLED, ACTIVATED AND PUT IN TO OPERATE ONLY BY AN AUTHORISED AND TRAINED PERSON.
- MAKE SURE THAT ELECTRIC CURRENT IS SWITCHED OFF WHILE WORKING ON ELECTRICAL DEVICES!
- NEVER TURN OFF THE SAFETY DEVICES!
- SOME PARTS HAVE SHARP EDGES, SO PROTECTIVE GLOVES SHOULD BE USED.
- NEVER USE A GARAGE DOOR IN CASE OF A VISIBLE DAMAGE OF SAFETY DEVICES.
- USE GLOVES AND SAFE FOOTWEAR DURING THE ASSEMBLY, AND PUT ON PROTECTIVE GLASSES WHILE DRILLING!
- MAKE SURE THAT THE WORK IS DONE IN A STABLE ENVIRONMENT.
- SECURE THE ASSEMBLY SITE SO THAT OTHER PEOPLE AND CHILDREN CAN STAY AT SAFE DISTANCE.
- MAINTENANCE CAN BE CARRIED OUT ONLY BY AN AUTHORISED PERSON OR AN AUTHORISED COMPANY.
- USE APPROPRIATE TOOLS, ESPECIALLY WHILE TENSIONING TORSION SPRINGS.

3. MATERIAL FOR FIXING INSIDE A BUILDING

THE MATERIAL FOR FIXING THE GARAGE DOOR INSIDE A BUILDING IS NOT A COMPONENT OF GARAGE DOOR. THE ASSEMBLER IS RESPONSIBLE FOR THE USE OF RIGHT MATERIAL CONNECTING THE GARAGE DOOR CONSTRUCTION TO THE LINTEL.

4. ASSEMBLY KIT

- FULL SET OF GUIDES (HORIZONTAL AND VERTICAL)
- COMPLETE SHAF (SPRINGS, SPRING PROTECTION, CABLE DRUMS AND BEARINGS)
- PANELS
- PERFORATED ANGLE OR SYSTEM SUSPENSIONS
- BOX CONTAINING ELEMENTS JOINING PANELS DEPENDING ON THE VERSION, SUPPORTING ROPES, SCREWS, ETC

5. TOOLS FOR ASSEMBLY

THE TOOLS WHICH ARE NECESSARY FOR A QUICK AND PROPER ASSEMBLY:

- DRILL
- DRILL BITS FOR DOWELS (E.G. 8MM, 10MM, 12MM)
- SCREW GUN
- DRILL BIT 4.2MM, 8.0MM, 13MM
- SOCKET BITS 10MM, 13MM
- CROSS HEAD BIT
- ANGLE GRINDER WITH METAL DISC
- FL AT/ SOCKET WRENCH
- SET OF ALLEN KEYS
- CARPENTRY CLAMPS
- PENCIL OR A MARKER
- LEVEL
- MEASURING TAPE
- LADDER OR SCAFFOLDING
- RODS FOR SPRINGING

6. INSPECTION AND MAINTENANCE IMMEDIATELY AFTER ASSEMBLY

AFTER COMPLETING THE ASSEMBLY, THE ASSEMBLER SHOULD CAREFULLY CHECK IF ALL THE COMPONENTS ARE INSTALLED IN ACCORDANCE WITH THE INSTRUCTIONS, PROPERLY TIGHTENED AND HE SHOULD ALSO:

- LUBRICATE THE BEARINGS AND ROLLS
- LUBRICATE THE SIDE AND MIDDLE HINGE PINS
- LUBRICATE THE SUPPORTING ROPE
- LUBRICATE THE GASKETS
- REMOVE THE PROTECTIVE FOIL FROM THE PANELS
- STICKING THE IDENTIFICATION CARD AND REQUIRED WARNING STICKERS

7. HANDING THE FINISHED PRODUCT TO THE CUSTOMER

WHILE HANDING THE GARAGE DOOR TO THE USER, THE COMPANY CONDUCTS TRAINING IN THE FIELD OF OPERATING, MAINTENANCE AND PROVIDES THE FOLLOWING DOCUMENTS:

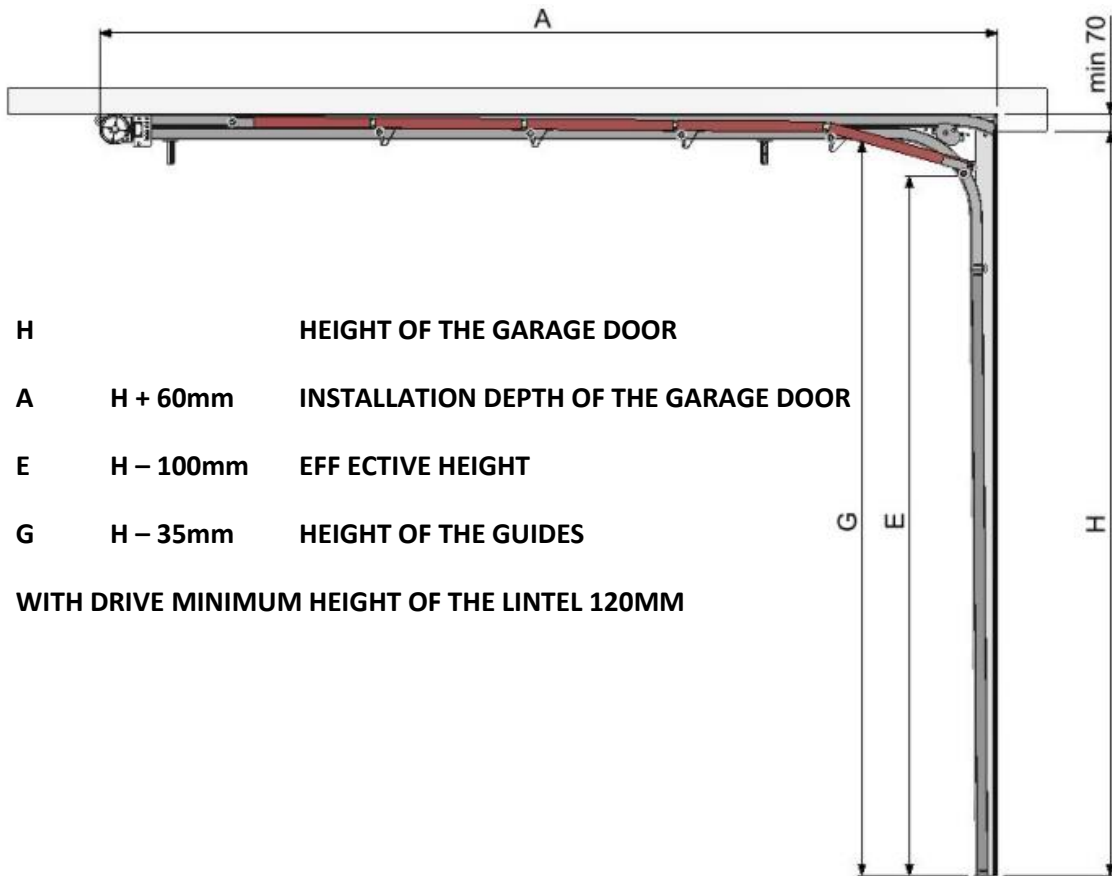
- DECLARATIONS OF PERFORMANCE
- A PROOF OF PURCHASE
- WARRANTY CARD
- INSTRUCTIONS FOR USE, OPERATION AND MAINTENANCE OF THE GARAGE DOOR

8. ELECTRIC DRIVE

ALL THE ELECTRIC DEVICES (INCLUDING DRIVES) BEING COMPONENTS OF THE GARAGE DOOR SHOULD MEET THE REQUIREMENTS OF THE RELEVANT EU DIRECTIVES AND STANDARDS.

INSTALLATION OF THE DRIVE SHOULD BE DONE IN ACCORDANCE WITH THE INSTRUCTIONS PROVIDED BY ITS MANUFACTURER. IN CASE OF POWER FAILURE AND LACK OF A SEPARATE ENTRANCE TO THE GARAGE, THE DOOR SHOULD BE EQUIPPED WITH A LOCK UNLOCKING THE DRIVE.

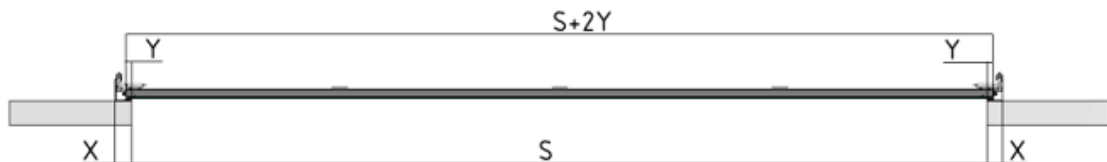
9. VIEW OF THE GARAGE DOOR – VERTICAL SECTION



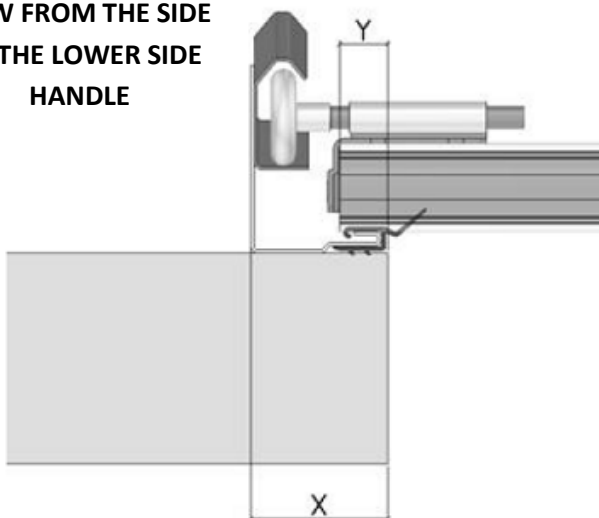
- H HEIGHT OF THE GARAGE DOOR
- A H + 60mm INSTALLATION DEPTH OF THE GARAGE DOOR
- E H – 100mm EFF ECTIVE HEIGHT
- G H – 35mm HEIGHT OF THE GUIDES

WITH DRIVE MINIMUM HEIGHT OF THE LINTEL 120MM

10. VIEW OF THE GARAGE DOOR- TRANSVERSE SECTION

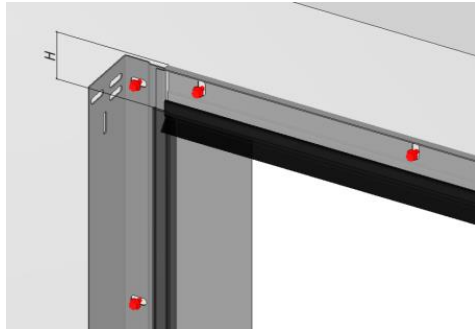


VIEW FROM THE SIDE
OF THE LOWER SIDE
HANDLE

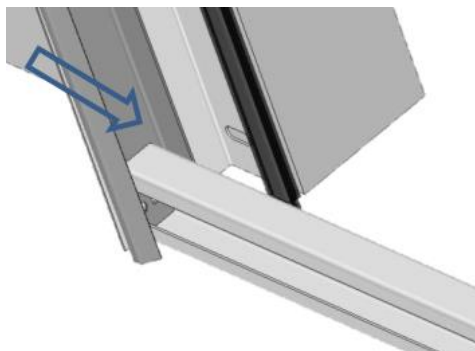
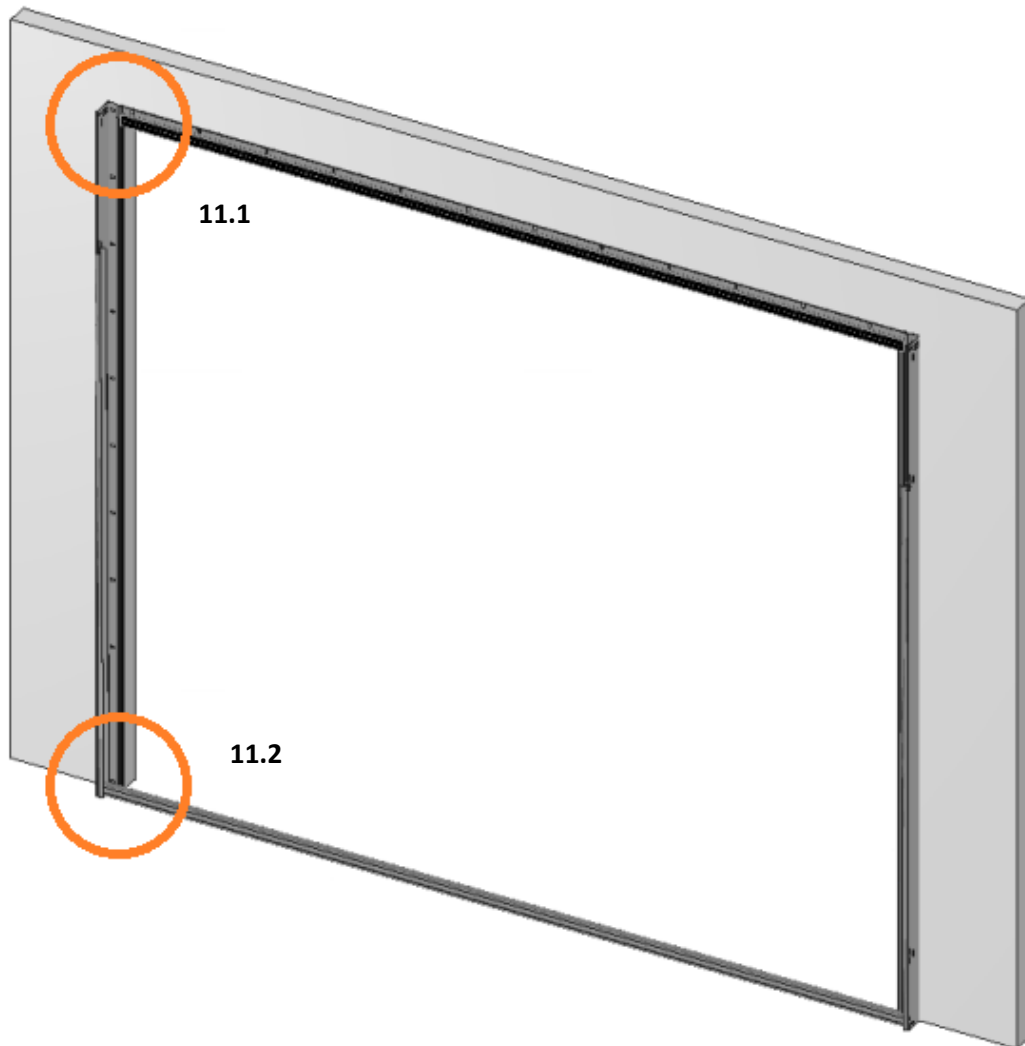


- S WIDTH OF THE GARAGE DOOR
- S + 2Y WIDTH OF THE DOOR PANELS
- X = 70mm SETTING THE VERTICAL ANGLE FROM THE EDGE OF THE WALL
- Y = 15mm SETTING THE DOOR PANELS

11. INSTALLATION OF THE VERTICAL GUIDES

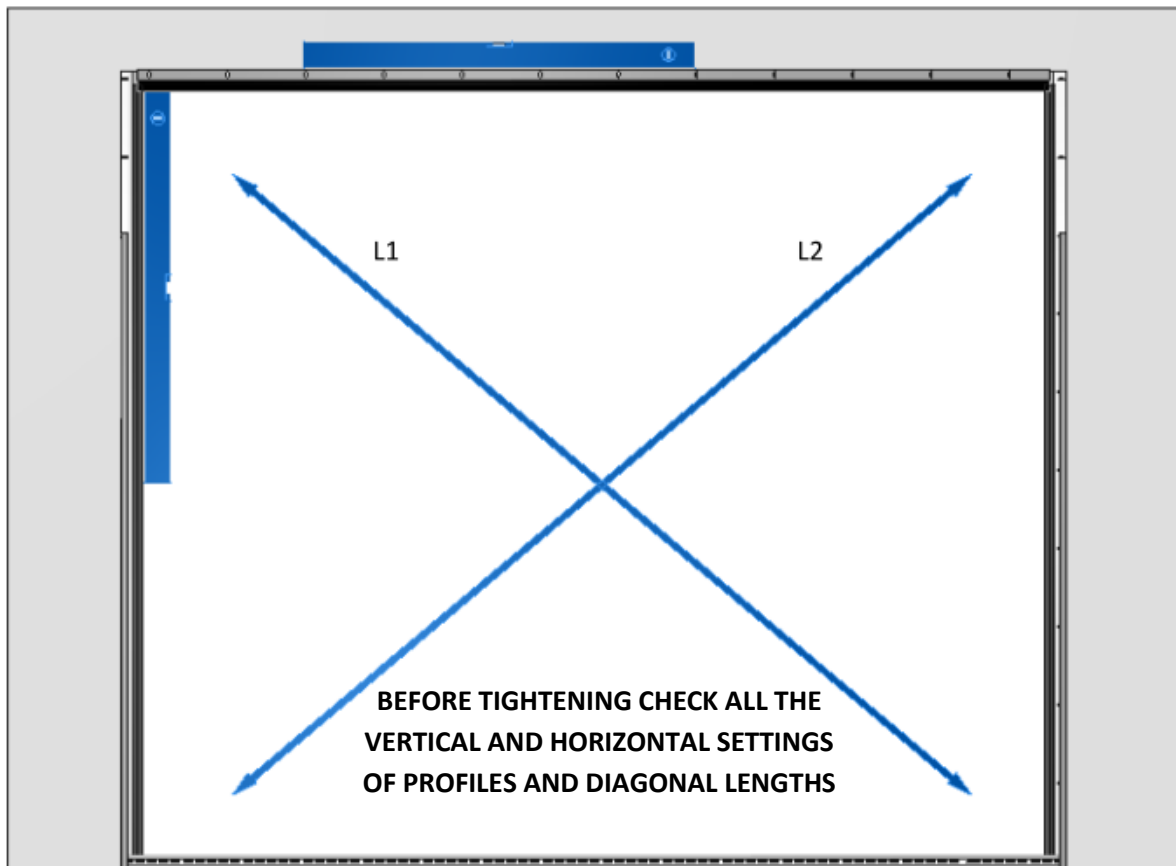


11.1 INSTALL THE UPPER PROFILE EQUALLY TO THE VERTICAL ANGLE

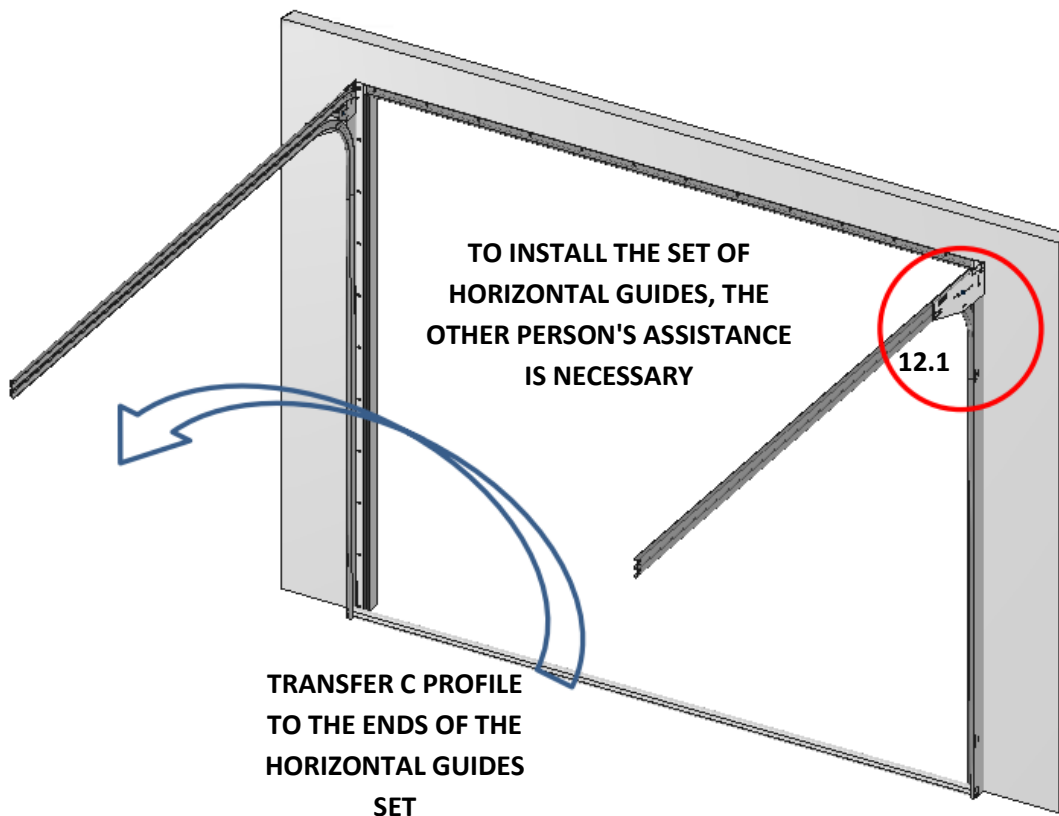


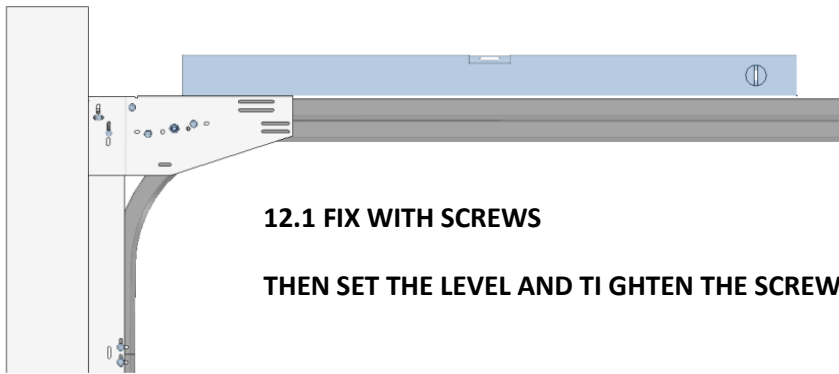
11.2 IN ORDER TO SET THE VERTICAL GUIDES CORRECTLY USE THE C PROFILE DISTANCE

WARNING: THE PROFILE LENGTH + 135mm

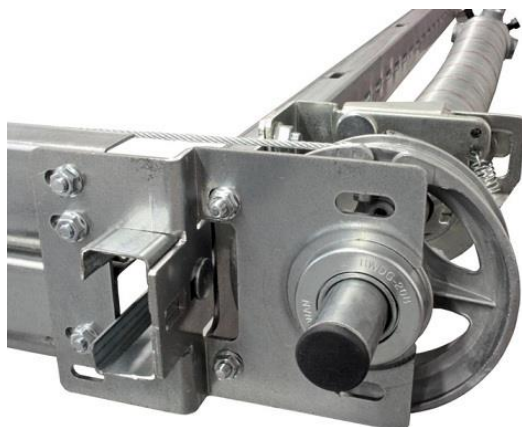
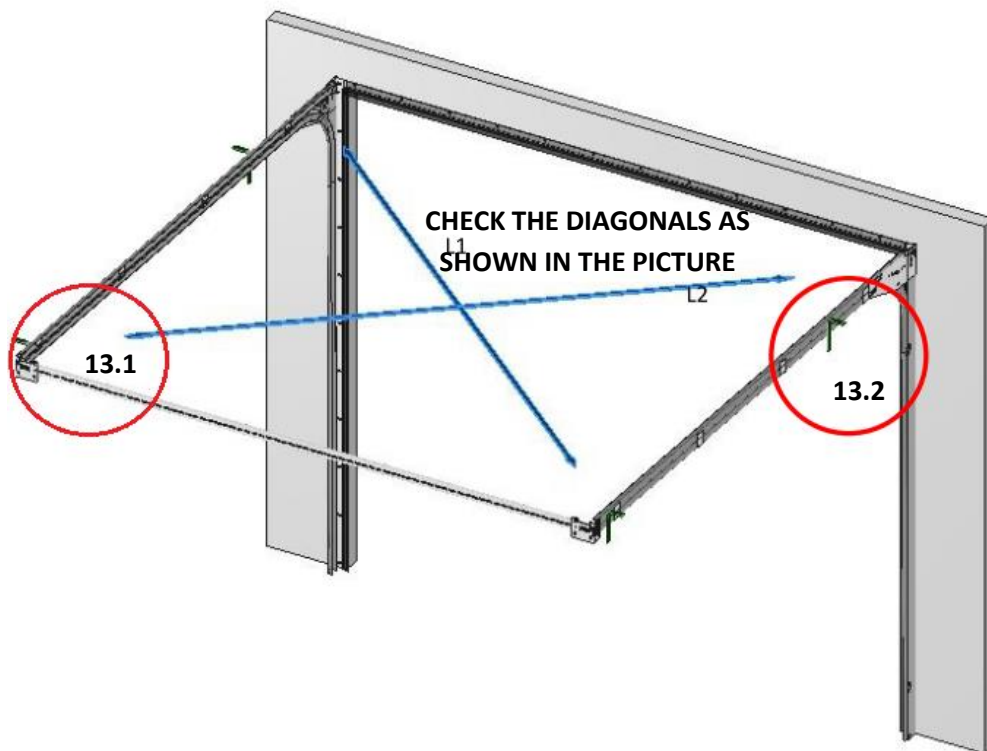


12. INSTALLATION OF THE HORIZONTAL GUIDES

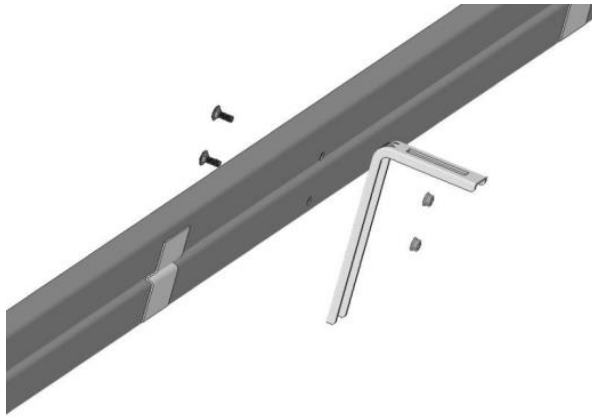




13. C PROFILE INSTALLATION AT THE ENDS OF THE GUIDES



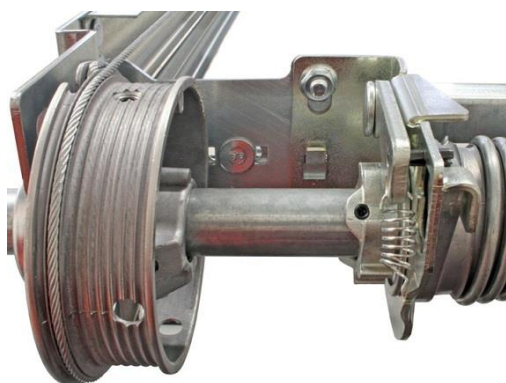
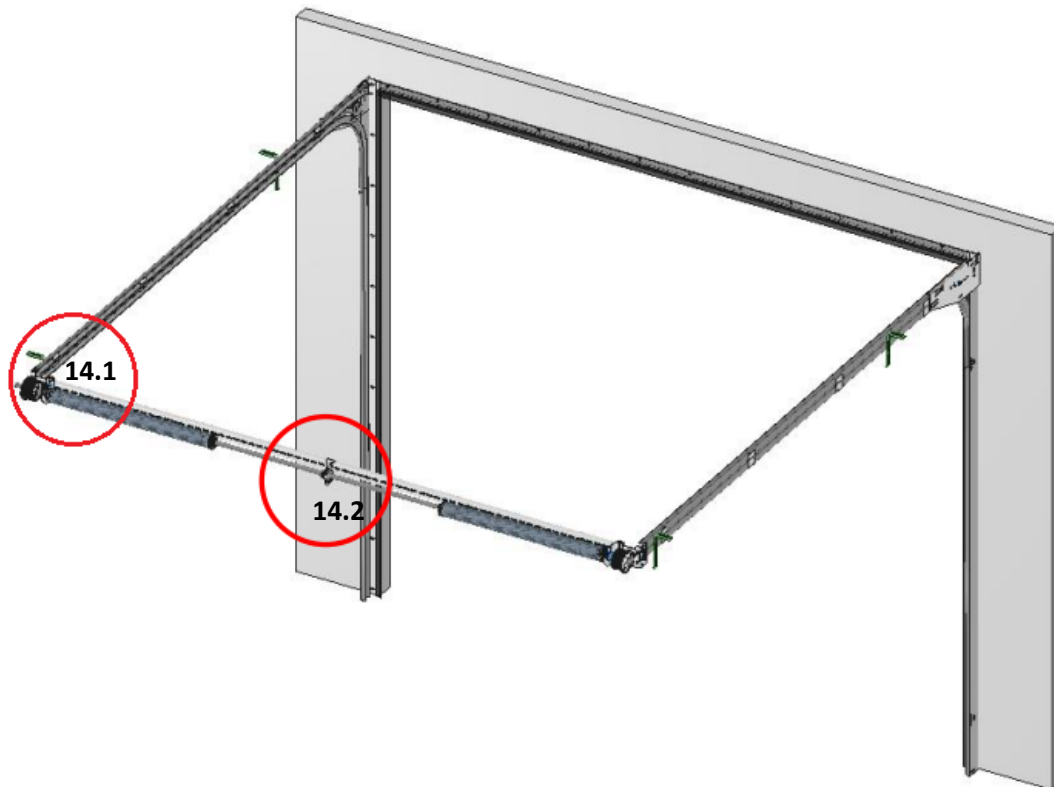
13.1 PLACE THE C PROFILE PARALLEL WITH THE HORIZONTAL GUIDES



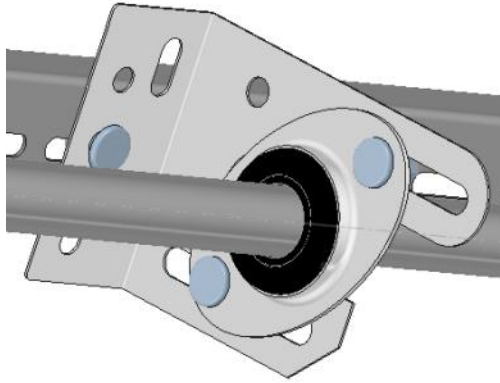
13.2 MAKE HOLES IN THE CEILING TO ATTACH THE GUIDES' HANDLES

MAKE HOLES IN THE GUIDES, FIX WITH SCREWS AFTER ADJUSTING

14. INSTALLATION OF THE SHAF WITH SPRINGS

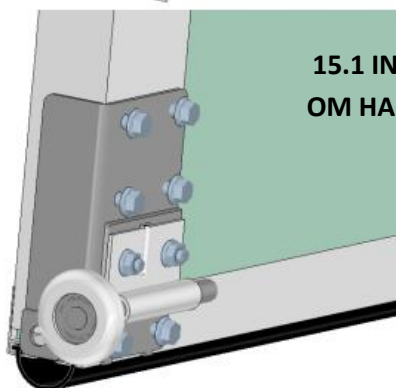
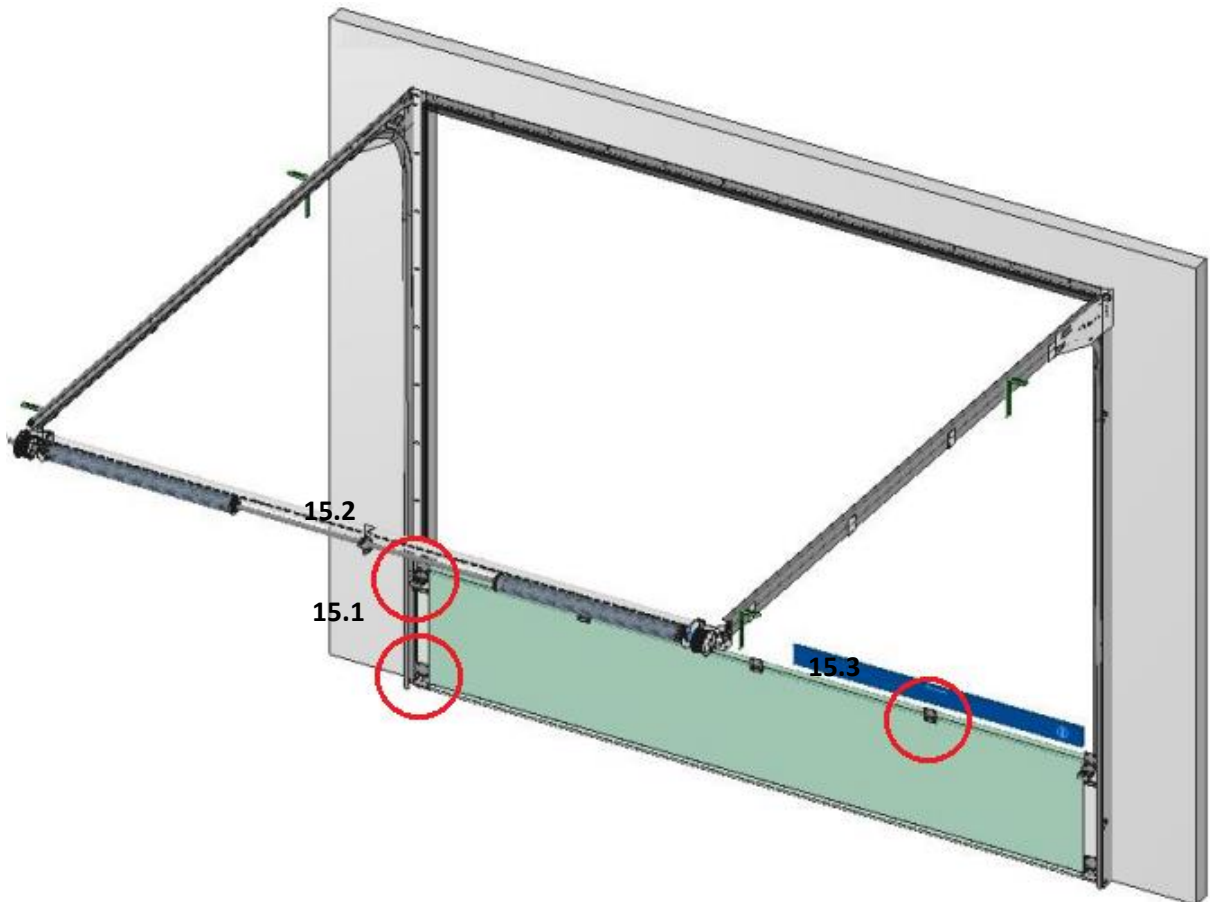


14.1 SLIDE THE COMPLETE SHAF INTO THE STRUT, SLIDE THE BEARINGS APART. TIGHTEN THE SAFETY DEVICES AND DRUMS.

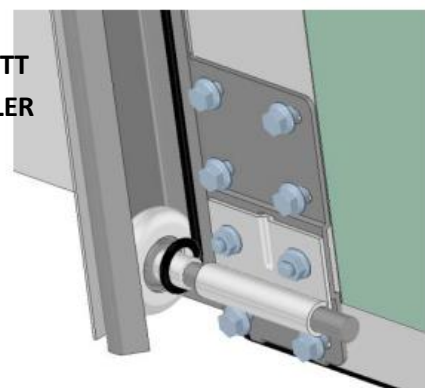


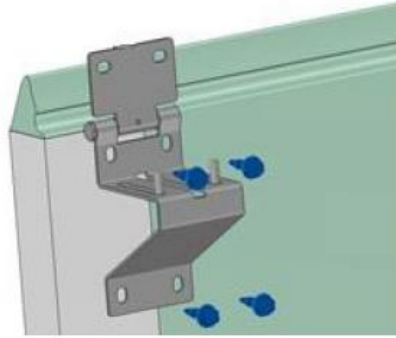
14.2 SCREW THE STRUT AND ADJUST IT. NOTE: IN CASE OF ELECTRIC DRIVE INSTALLATION, THE STRUT SHOULD BE MOVED SLIGHTLY SO AS NOT TO DISTURB THE DRIVE RAIL.

15. INSTALLATION OF THE FIRST PANEL

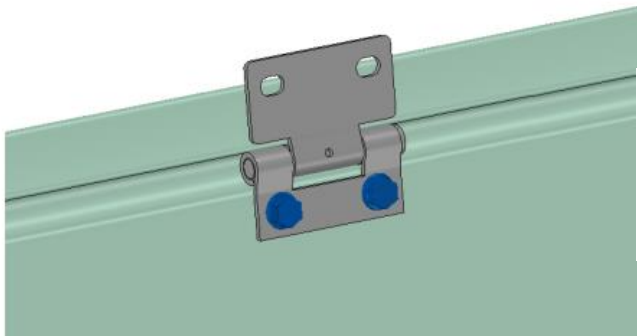


15.1 INSTALLATION OF THE BOTTOM HANDLE. ADJUST THE ROLLER INSIDE THE GUIDE.



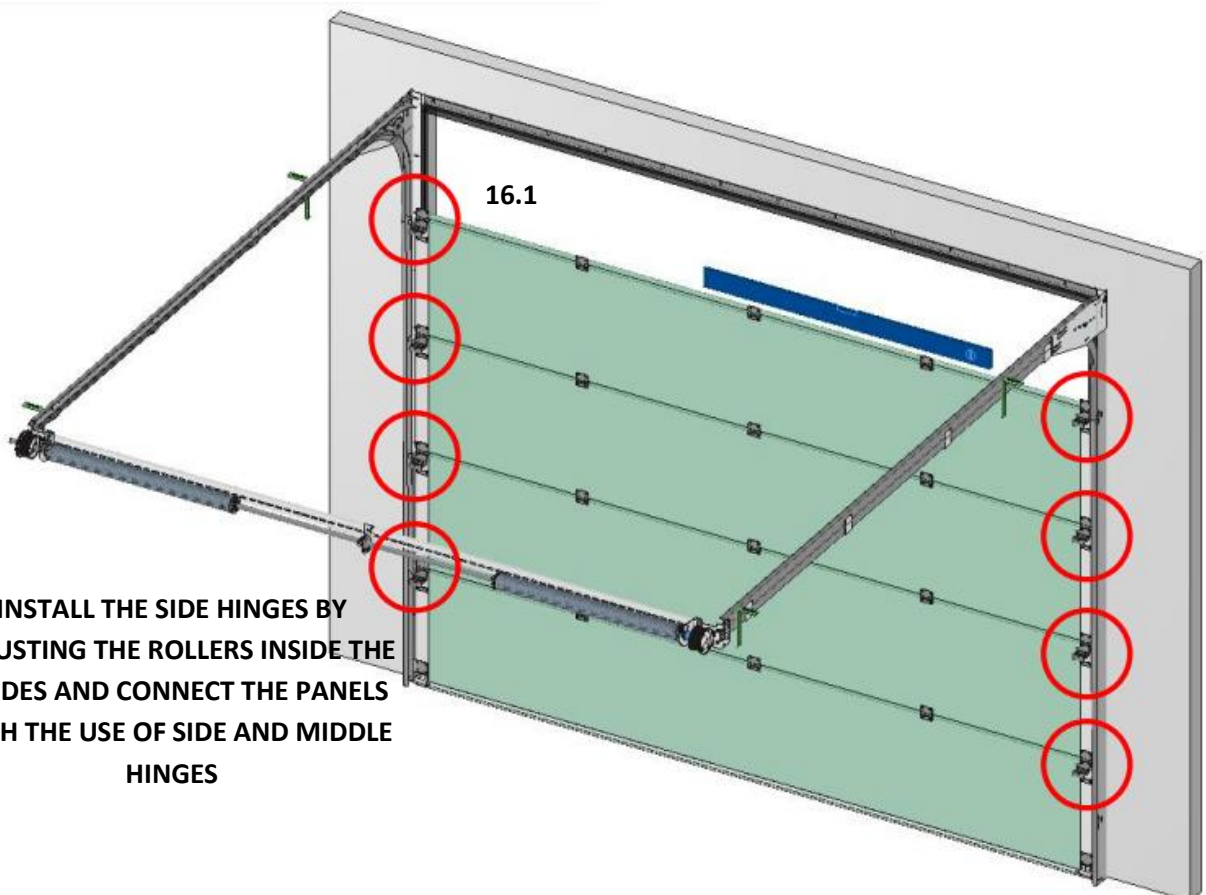


15.2 SCREW THE SIDE HINGES TO THE PANEL

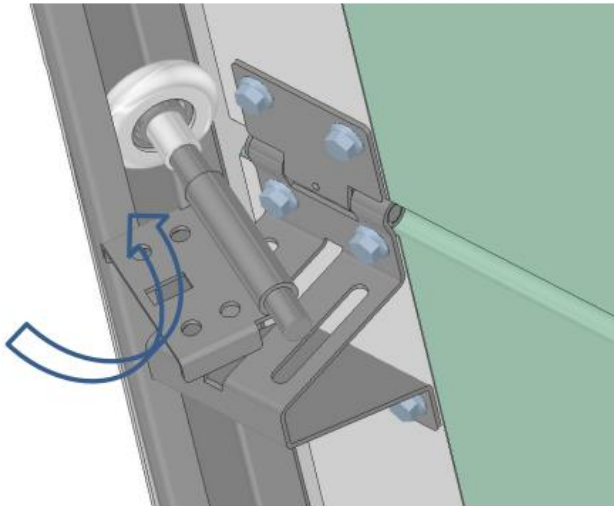


15.3 SCREW THE MIDDLE HINGES OF THE PANEL

16. INSTALLATION OF THE SUBSEQUENT PANELS

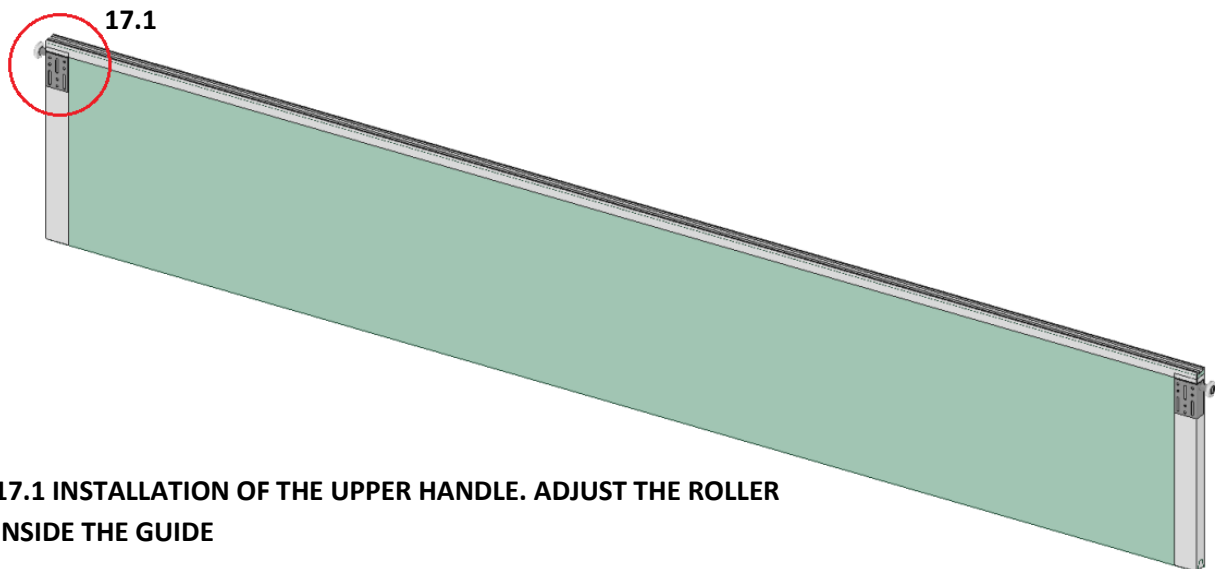


INSTALL THE SIDE HINGES BY ADJUSTING THE ROLLERS INSIDE THE GUIDES AND CONNECT THE PANELS WITH THE USE OF SIDE AND MIDDLE HINGES



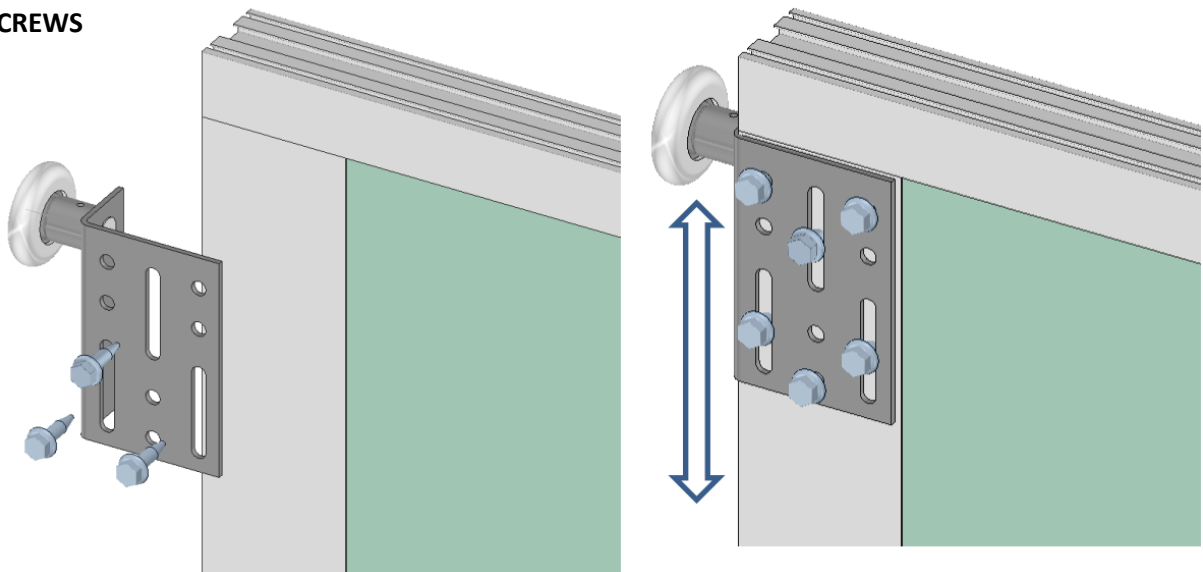
16.1 NOTE: FI RST PUT THE ROLLERS INTO THE GUIDE AND THEN FASTEN THEM TO THE HINGE

17. INSTALLMENT OF THE UPPER PANEL

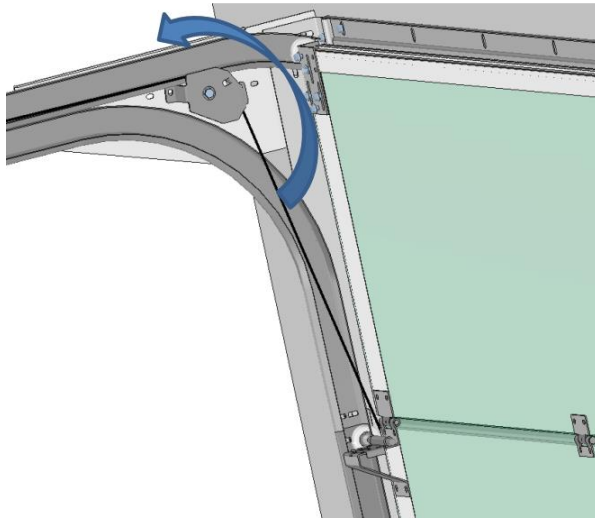


17.1 INSTALLATION OF THE UPPER HANDLE. ADJUST THE ROLLER INSIDE THE GUIDE

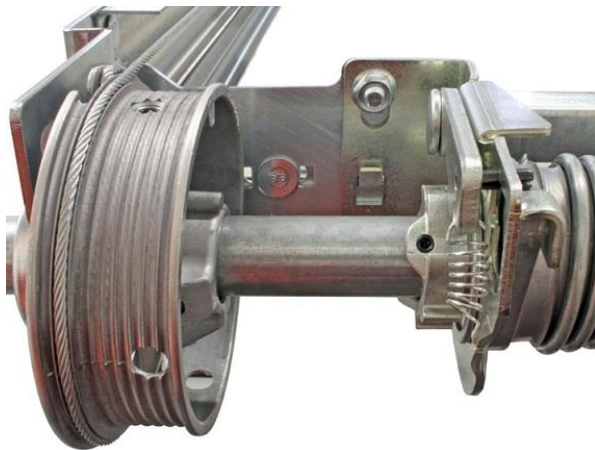
AFER ADJUSTING, TI GHTEN THE HANDLE WITH REMAINING SCREWS



18. INSTALLATION OF THE ROPE

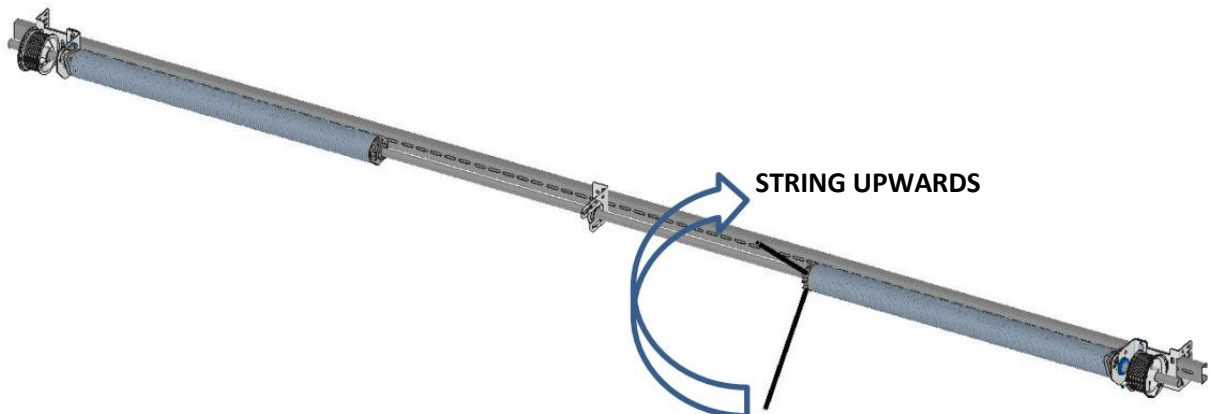


PASS THE ROPE BEHIND THE SIDE HINGE ROLLERS AND THROUGH THE INTERVENING WHEEL



PASS THE ROPE THROUGH THE DRUM, STRING AND TIGHTEN IT

19. STRINGING THE SPRINGS. VIEW FROM THE OUTSIDE OF THE GARAGE DOOR

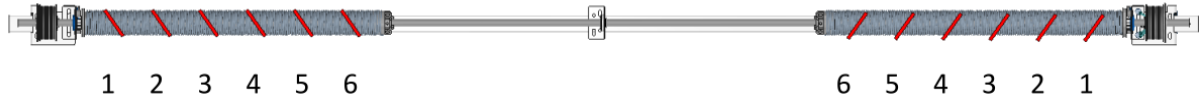


SEGMENTAL GARAGE DOOR ASSEMBLY INSTRUCTIONS

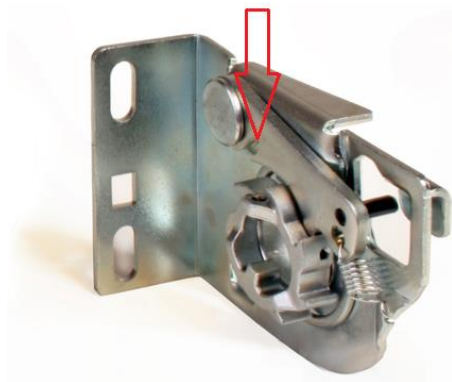
TENSIONING THE TORSION SPRINGS REQUIRES A LOT OF FORCE AND CAUTIOUSNESS. INSTALLATION, SERVICING AND REPAIRS CAN ONLY BE CARRIED OUT BY QUALIFIED PEOPLE.

LEFT SPRING

RIGHT SPRING



NUMBER OF THE SPRING REVOLUTIONS			
HEIGHT	4 PANELS	5 PANELS	6 PANELS
2000	7.1 ROTATION	6.8 ROTATION	---
2125	7.6 ROTATION	7.3 ROTATION	---
2250	8.0 ROTATION	7.7 ROTATION	---
2375	8.4 ROTATION	8.7 ROTATION	---
2500	8.5 ROTATION	9.2 ROTATION	---
2750	---	9.4 ROTATION	9.2 ROTATION
3000	---	10.3 ROTATION	10 ROTATION



AFTER ADJUSTING THE SPRINGS, REMOVE THE WEDGES FROM THE SAFETY DEVICES IMMEDIATELY !!!

NOTE

.....

.....

.....

.....

.....

.....

.....