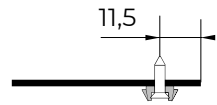
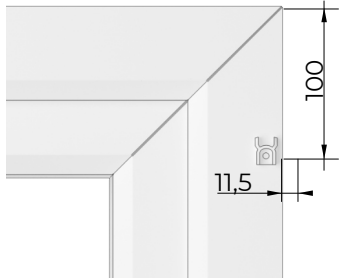
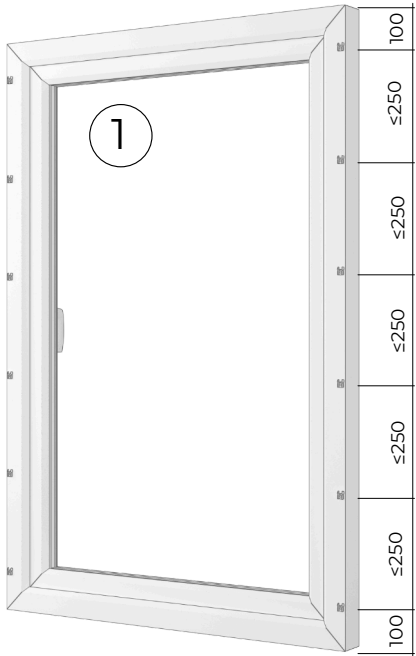
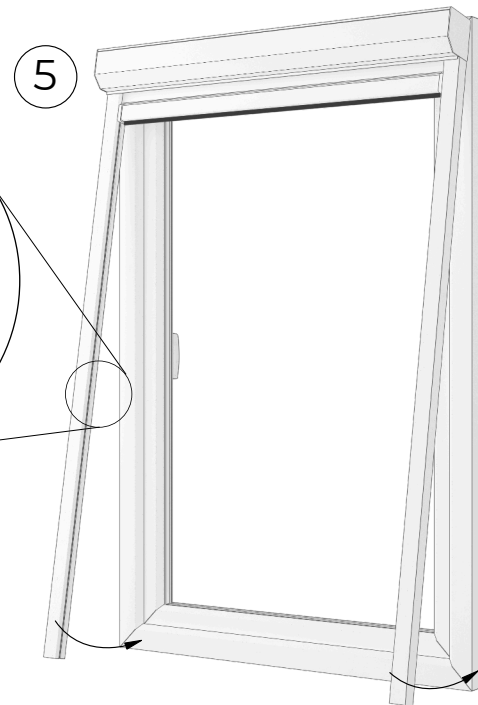
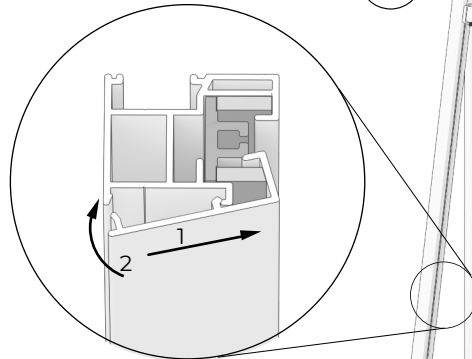
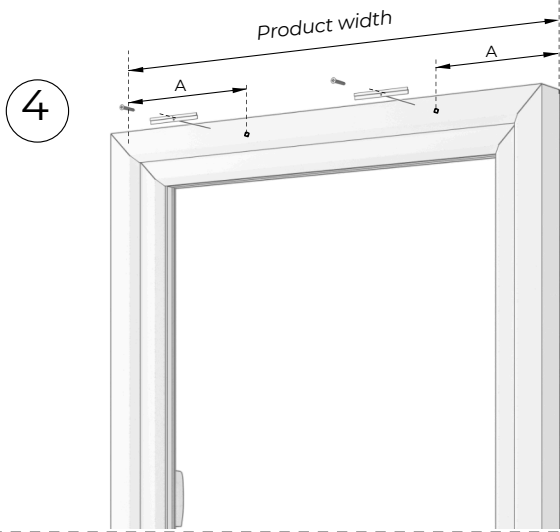
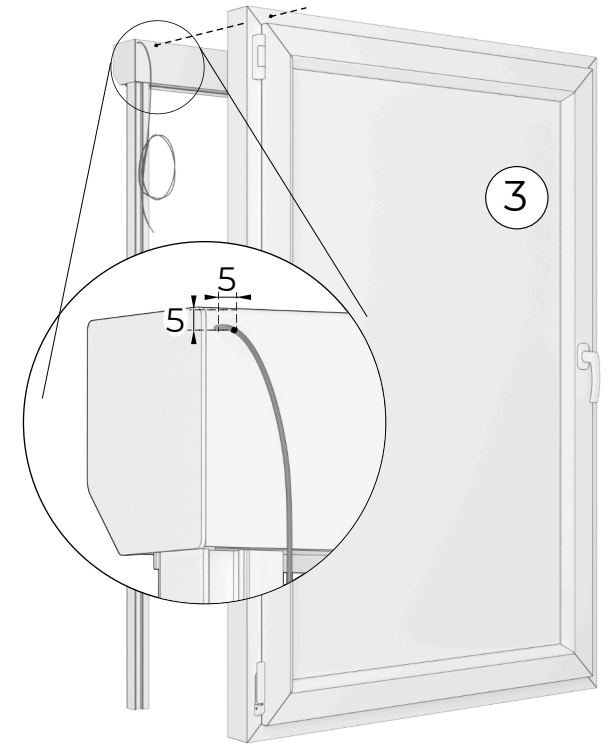
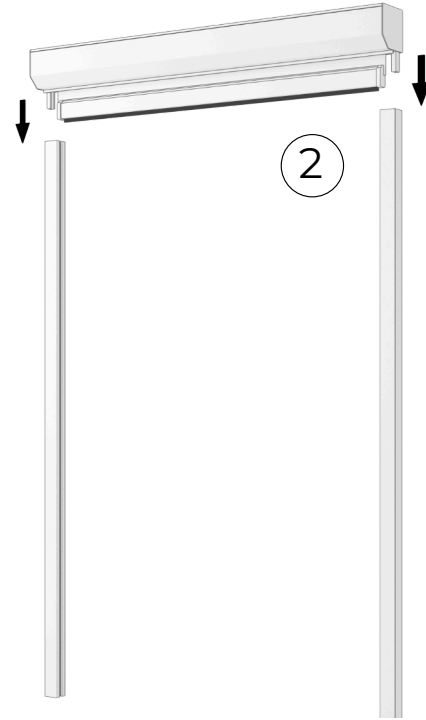




INSTALLATION INSTRUCTIONS - SCREEN IN S45/S90 SYSTEM



All dimensions in the manual are given in millimeters (mm)



Applies to boxes 105mm and 125mm

Product width	Number of mounting strips	Dimension A
1500-3000	2	250 - 300
3001-5000	2	300 - 800