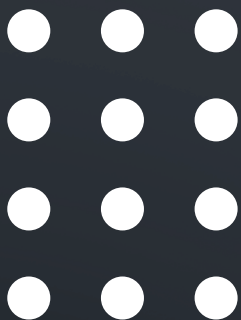
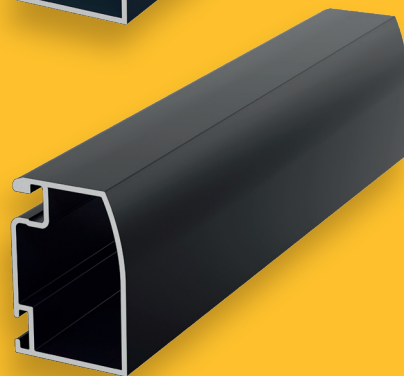
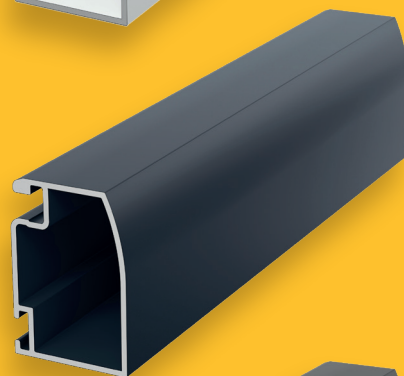
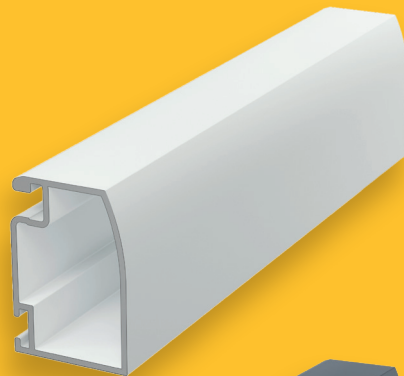


FRAME MOSQUITO NET FOR DOORS **INSETO DM**

RAL
9016

RAL
7016

RAL
8022



CHECK MORE 

ORDER SPECIFICATION

(information to provide when placing an order)



- When placing an order, you need to provide the overall width of the frame (excluding hinges) and the overall height of the frame.
- When using a transom, you should provide its height, measured from the bottom end of the door frame mosquito net to the midpoint of the transom. The transom height is 18mm.
- The door frame mosquito net is screwed onto the door frame or door jamb.

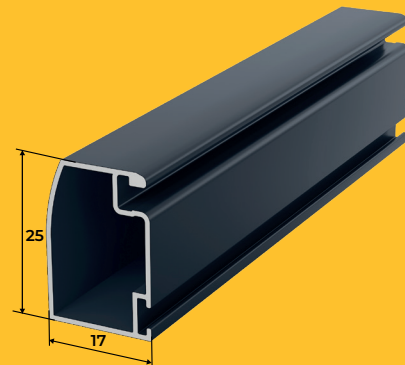
**HINGE
STANDARD**
(hinge dimension 1.5cm)



PRICES

DOOR PANEL: standard colors [white, dark brown RAL 8022, anthracite]				
height cm	width cm			
	70	80	90	100
180	289	298	306	314
190	293	303	312	321
200	301	309	318	327
210	306	315	325	333
220	312	321	330	340
230	318	327	338	346

DIMENSIONING



EXTRA CHARGES

Aluminum mesh [m ²]	46,00 zł/m ²
Hypoallergenic mesh [m ²]	56,00 zł/m ²
Transom for INSETO DM mosquito net [linear meter]	21,00 zł/mb
Painting in a RAL / TIGER color	27,00 zł/m ²

* We recommend using a transom for mosquito nets taller than 200 cm or wider than 70 cm. The connecting profile is placed to increase the rigidity of the panel. For mosquito nets without a transom under these conditions, we manufacture them solely at the customer's risk.