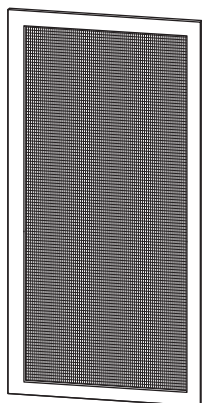
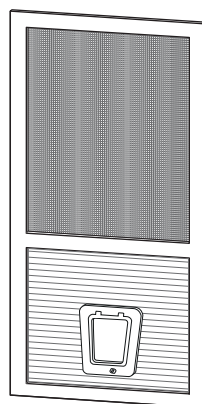


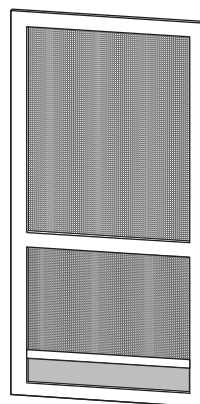
Design variants



No bar

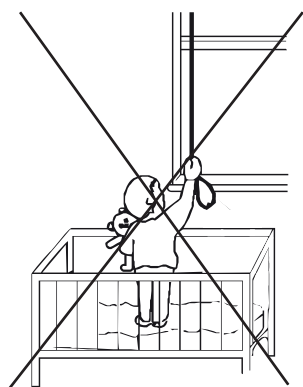


With a pet crossing

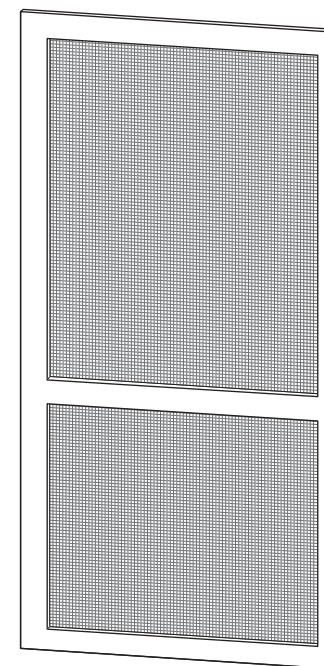


With a kicker

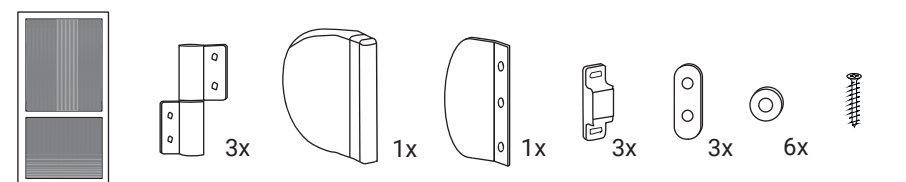
Warning!!!



Small children may become strangled in the loops of strings, chains, tapes and internal cords that control the product. To prevent strangulation and tangles, keep strings out of the reach of small children. The strings can get wrapped around the baby's neck. Move beds, cots and furniture away from the window area with strings. Do not tie the strings together. Make sure the strings are not twisted or looped.



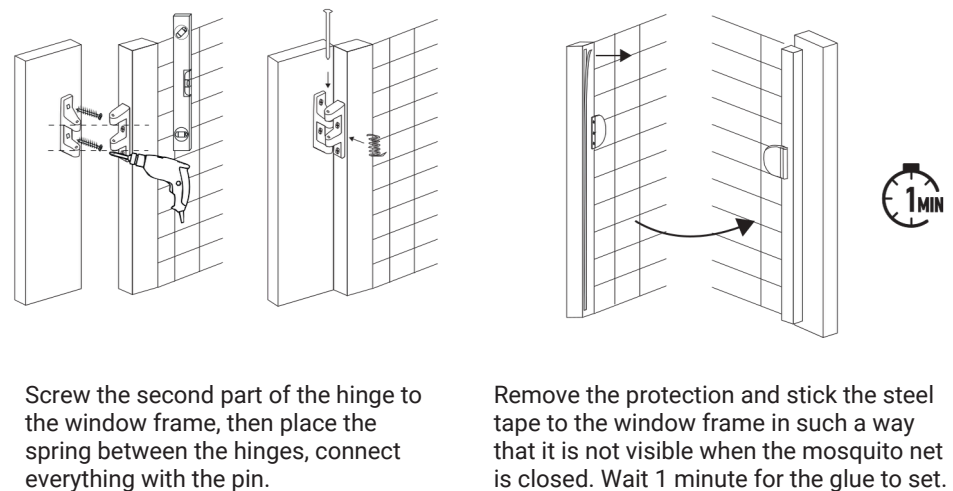
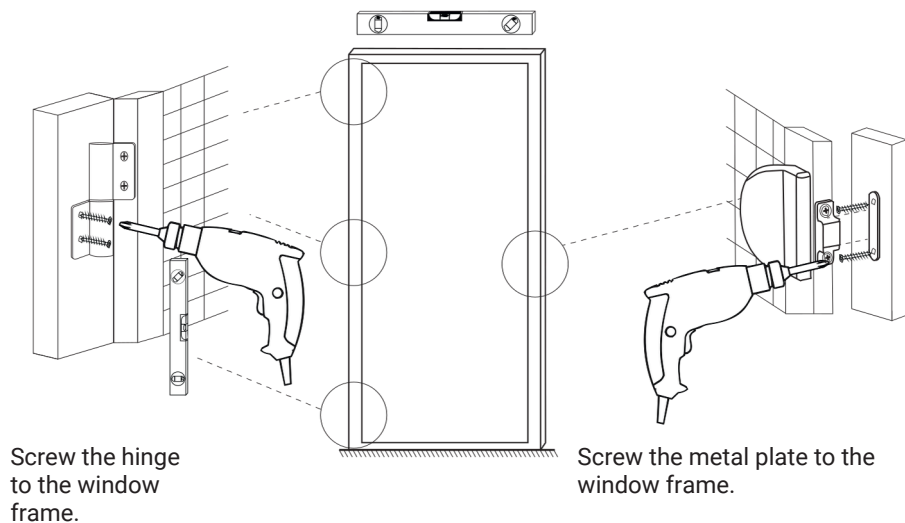
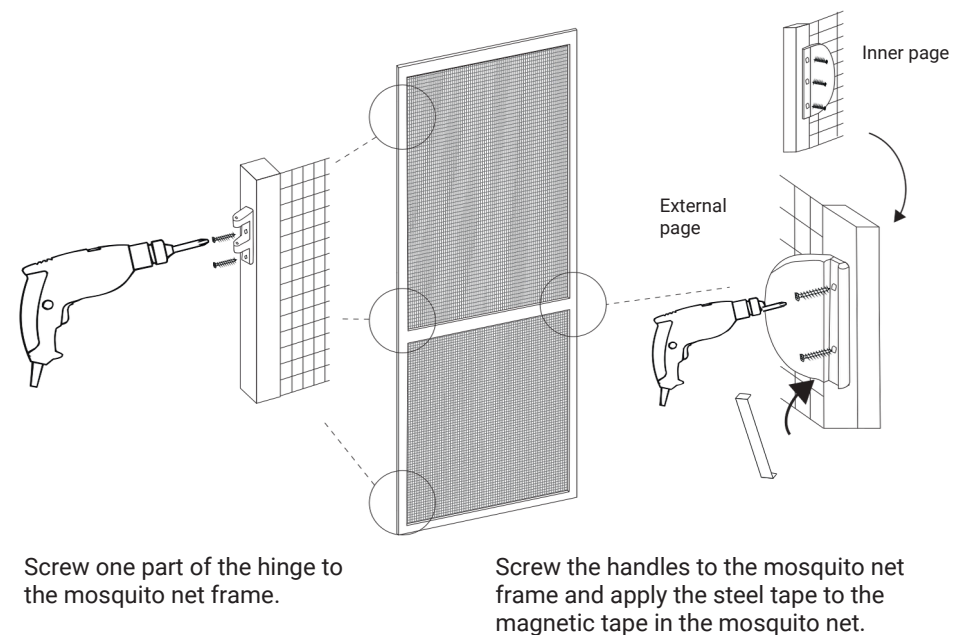
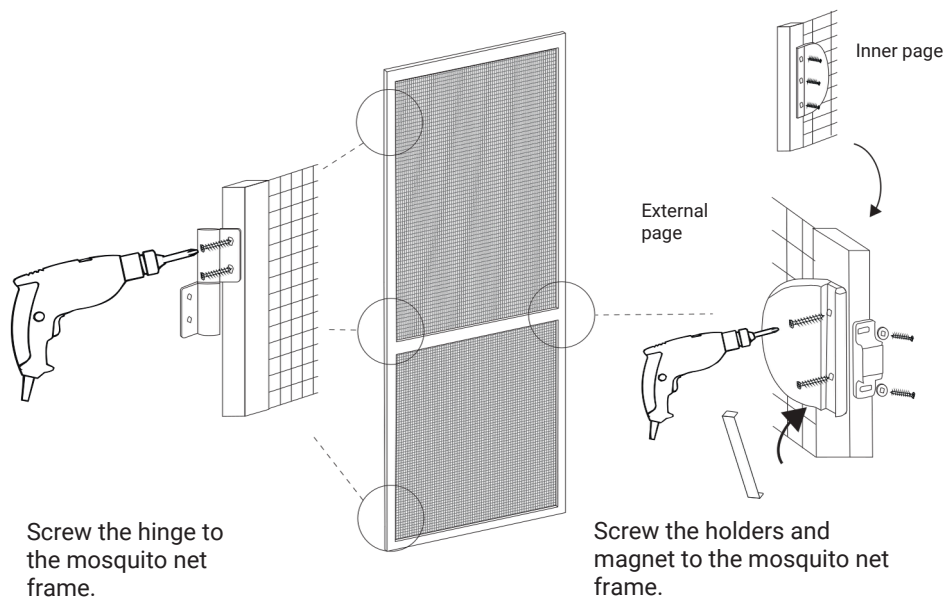
Set contents



*The contents of the set may vary depending on the selected mosquito net configuration.

Assembly with large hinge and magnet

Alternative assembly - small hinge and magnetic tape



* The mosquito net should be centered on the door frame in such a way that it covers the entire window opening.

* The mosquito net should be centered on the door frame in such a way that it covers the entire window opening.