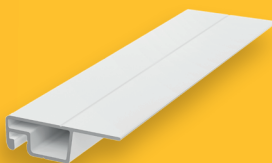


WINDOW FRAME MOSQUITO NET **INSETO FM**

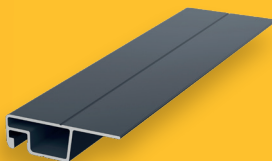
WHITE



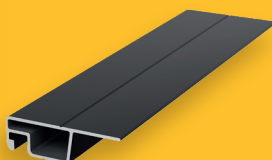
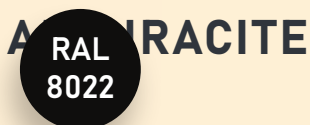
**GOLD
OAK**



WALNUT



BRONZE



CHECK MORE 

ORDER SPECIFICATION

(information to provide when placing an order)



- Type of window profile (flush or non-flush).
- Indication of the use of the mounting bracket (no extra charge).

HOOK STANDARD

(requires specifying the thickness of the frame rebate including the gasket)



HOOK FOR WOODEN WINDOWS

(requires specifying the frame thickness)



TENSION SPRING

(does not require specifying the thickness of the frame rebate including the gasket)

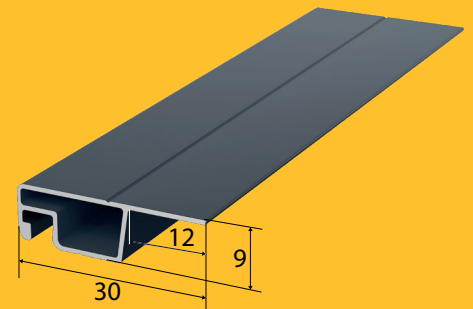


For flush windows, hooks are mounted in reverse, i.e., on the flat surface of the profile. The tension spring is dedicated exclusively for non-flush profile windows.

PRICES

Range	Surface area of the frame in m ²	Catalog price (net)
1	0,00 – 0,25	52,00
2	0,26 – 0,50	65,00
3	0,51 – 0,75	77,00
4	0,76 – 1,00	89,00
5	1,01 – 1,25	101,00
6	1,26 – 1,50	114,00
7	1,51 – 1,75	129,00
8	1,76 – 2,00	142,00

DIMENSIONING



EXTRA CHARGES

Aluminum mesh	46,00 zł/m ²
Hypoallergenic mesh (color: black)	56,00 zł/m ²
Internal corner (set for 1 mosquito net)	16,00 zł/kpl.
Crossbar*	21,00 zł/mb
Painting in a RAL color (calculated per perimeter)	27,00 zł/mb

* We recommend using a transom for mosquito nets taller than 160 cm. The absence of a transom may cause profile bending and irregular mesh placement, which cannot be a reason for complaint.