

2024



OUTDOOR SHIELDS
PRICE LIST



menu

adaptive system hera a45	4
adaptive system sk45	7
adaptive system semiowal skp	14
adaptive system oval sko-p	20
concealed system hera p90	26
concealed system integro sp-e	29
concealed system opoterm skt	35
anti-burglary system class rc3 - sk	40
roll-up door bgr	44
accessories and other items	48
varnishing price list	52
accessories	54
electric control	55
additional information	79
specifications	86

ADAPTIVE SYSTEM HERA A45

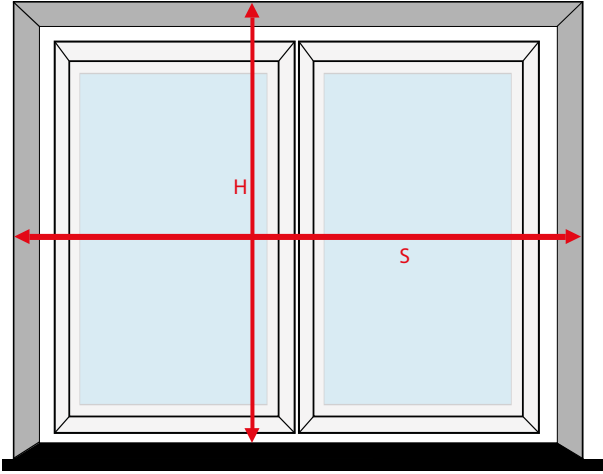
- » An alternative to the classic SK45 adaptive system.
- » Made of solid quality aluminum.
- » Lighter shutter construction and excellent thermal and acoustic insulation.
- » It is possible to make a set on a common slide.
- »



ADAPTIVE SYSTEM HERA A45

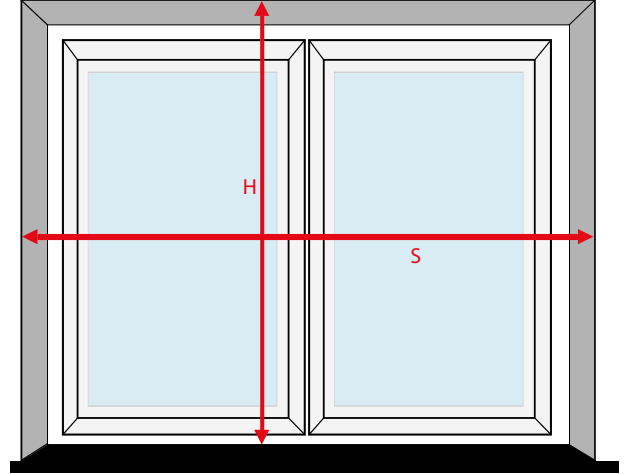
MEASUREMENT

recess



- S** Window recess width = total width of the blind
- H** Height of the window recess = total height of the roller shutter

outside the niche

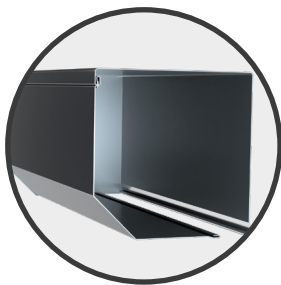


- S** Window recess width + 2 x guide width (e.g. 2 x 53 mm) = total width of the blind
- H** Height of the window recess + box dimension (e.g. 137mm) = total height of the roller shutter

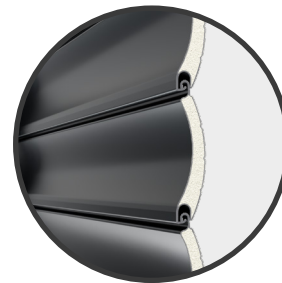
We suggest taking measurements at several locations and selecting the smallest values. The correction for the guide plug (5mm) should be anticipated during the measurement.

We suggest taking measurements in several places and choose the largest values to avoid mounting the product entering the light of the opening. To avoid installation of the box in the light of the opening, the height of the roller shutter should be increased individually.

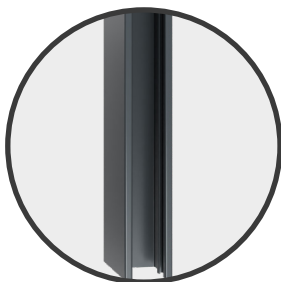
STANDARD EQUIPMENT



Aluminum box



Aluminum roller shutter Profilee filled with polyurethane foam



Aluminum guide



Bottom strip with gasket

ADAPTIVE SYSTEM HERA A45

TYPES OF PROFILES



LA32
thickness: 8,5 mm
Profile height: 32 mm



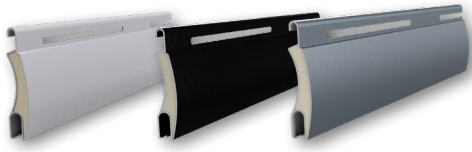
LA 39
thickness: 9 mm
Profile height: 39 mm



LA 43
thickness: 8,8 mm
Profile height: 43 mm

COLOR SCHEME LA32

STANDARD



01 silver

20 black

23 grey
anthracite

COLOR SCHEME LA39

STANDARD



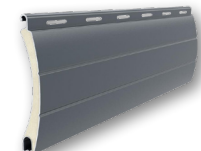
22 ultra
white

08 dark
brown

23 grey
anthracite

COLOR SCHEME LA43

STANDARD



23 grey
anthracite

PRICE LIST

Profile	Price
The lowest area of the roller shutter for price calculation is 1 m ² . The total dimension of the roller blind is taken for the calculation. The minimum dimension of the box is 137 mm.	
LA 32* [complete roller blind in std color, PH53 guides, manual control retractor (up to 3,5 m ² area).]	364,00 zł/m ²
LA 39* [complete roller blind in std color, PH53 guides, manual control retractor (up to 3,5 m ² area).]	292,00 zł/m ²
LA 43* [complete roller blind in std color, PH53 guides, manual control retractor (up to 3,5 m ² area).]	313,00 zł/m ²

SURCHARGES

Valid for the price of a complete roller shutter in standard color.	Price
ARMOR (LA39)	3%
GUIDES (PH53)	6,9%
BOTTOM STRIP	3%
Box	1,5%
Sides***	no**

* Complete roller blind in std. color, PH53 guides, manual control - retractor (up to 3.5 sqm area).

** Caramel color as standard (sides do not come in golden oak)

***Color light brown as standard (sides do not come in walnut)

ADAPTIVE SYSTEM SK45

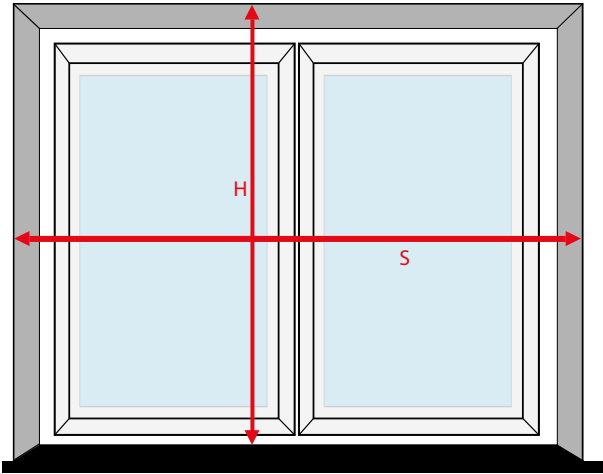
- » Designed for use mainly in existing buildings,
- » They do not require special preparations for installation,
- » Boxes made of high-quality aluminum sheet.



ADAPTIVE SYSTEM SK45

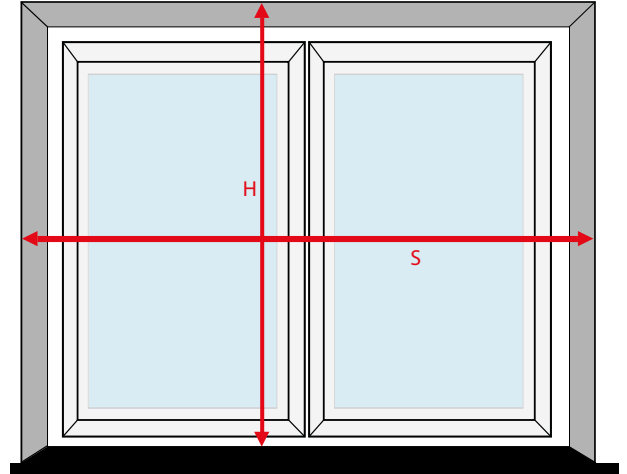
MEASUREMENT

recess



- S** Window recess width = total width of the blind
- H** Height of the window recess = total height of the roller shutter

outside the niche

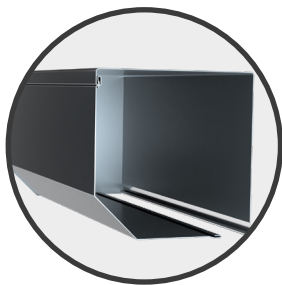


- S** Window recess width + 2 x guide width (e.g. 2 x 53 mm) = total width of the blind
- H** Height of the window recess + box dimension (e.g. 137mm) = total height of the roller shutter

We suggest taking measurements at several locations and selecting the smallest values. The correction for the guide plug (5mm) should be anticipated during the measurement.

We suggest taking measurements in several places and choose the largest values to avoid mounting the product entering the light of the opening. To avoid installation of the box in the light of the opening, the height of the roller shutter should be increased individually.

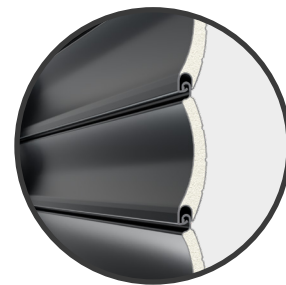
STANDARD EQUIPMENT



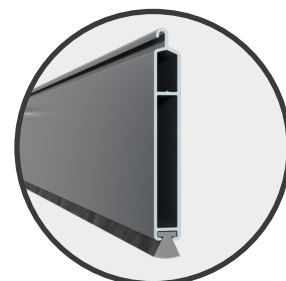
Aluminum box



Aluminum guide



Aluminum roller shutter Profilee filled with polyurethane foam



Bottom strip with gasket

ADAPTIVE SYSTEM SK45

TYPES OF PROFILES



LA32
thickness: 8,5 mm
Profile height: 32 mm



PA 39
thickness: 9 mm
Profile height: 39 mm



PA 43
thickness: 8,8 mm
Profile height: 43 mm



PA 52
thickness: 13 mm
Profile height: 52 mm



PA 55
thickness: 14 mm
Profile height: 55 mm



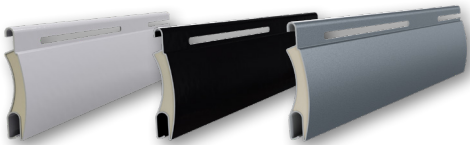
PE 41
thickness: 8,5 mm
Profile height: 41 mm



PE 55
thickness: 14 mm
Profile height: 55 mm

COLOR SCHEME LA32

STANDARD



01 silver

20 black

23 grey
anthracite

COLOR SCHEME PA39

STANDARD



01 silver

02 white

03 grey

04 dark
beige

05 beige

08 dark
brown

09 brown

15 white
cream

16 bone
ivory



20 black

22 ultra
white

23 grey
anthracite

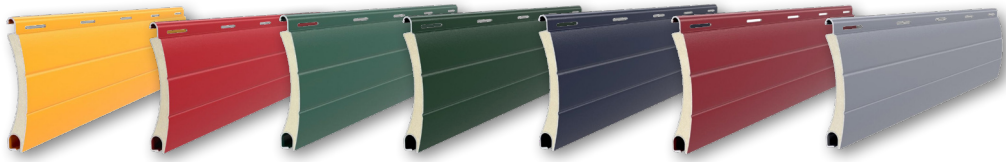
31 light
grey

75 grey
metallic

ADAPTIVE SYSTEM SK45

COLOR SCHEME PA39

EXTRA



11 yellow 12 red 13 green 17 green fir 18 steel blue 19 maroon 33 basalt grey



34 quartz grey 35 concrete grey 37 gray aluminum 38 frosty grey 39 satin grey 40 white pearl matte 43 grey pearl anthracite matt

WOOD-SIMILAR



06 dark wood 07 bright wood 24 golden oak 26 mahogany 28 walnut 30 golden oak 36 wenge 49 woodec turner oak 52 winchester 79 light oak

COLOR SCHEME PA43

STANDARD



01 silver 02 white 03 grey 04 dark beige 05 beige 08 dark brown 09 brown 15 white cream 16 bone ivory



20 black 22 ultra white 23 grey anthracite 31 light grey

EXTRA



33 basalt grey 34 quartz grey 35 concrete grey 37 gray aluminum

WOOD-SIMILAR



06 dark wood 24 golden oak 26 mahogany 28 walnut 30 golden oak 36 wenge 49 woodec turner oak 52 winchester

ADAPTIVE SYSTEM SK45

COLOR SCHEME PA52

STANDARD



01 silver 02 white 03 grey 05 beige 08 dark brown 09 brown 15 white cream 22 ultra white 23 grey anthracite



31 light grey 75 grey metallic

EXTRA



13 green 34 quartz grey 37 gray aluminum 39 satin grey 40 white mat pearl 43 grey anthracite pearl matt 71 green Chartwell

WOOD-SIMILAR



06 dark wood 28 walnut 30 golden oak 36 wenge 52 winchester

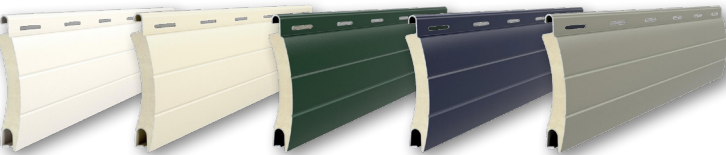
COLOR SCHEME PA55

STANDARD



01 silver 02 white 03 grey 05 beige 08 dark brown 09 brown 22 ultra white 23 grey anthracite

EXTRA



15 white cream 16 bone ivory 17 green fir 18 steel blue 34 quartz grey

WOOD-SIMILAR



06 dark wood 07 bright wood 30 gold oak

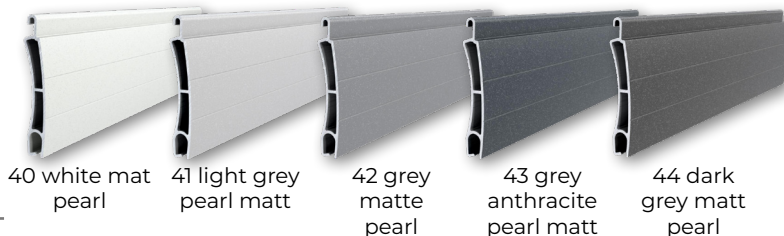
ADAPTIVE SYSTEM SK45

COLOR SCHEME PE41

STANDARD



EXTRA

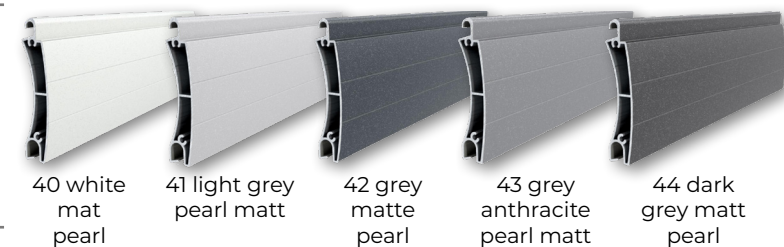


COLOR SCHEME PE55

STANDARD



EXTRA



ADAPTIVE SYSTEM SK45

PRICE LIST

Profile The lowest area of the roller shutter for the price calculation is 1 m ² . The total dimension of the roller shutter is taken for the calculation.	Price
LA 32 [complete roller blind in std color, PP53 guides, manual control retractor (up to 3.5 m ² area).]	418,00 zł/m ²
PA 39 [complete roller blind in std color, PP53 guides, manual control retractor (up to 3.5 m ² area).]	324,00 zł/m ²
PA 43* [complete roller blind in std color, PP53 guides, manual control retractor (up to 3.5 m ² area).]	342,00 zł/m ²
PE 41 [complete roller blind in std color, PPW66 guides, control for an extra charge, blocking hangers and the cost of milling should be added]	830,00 zł/m ²
PA 52 [complete roller shutter in std color, PP66 guides for 205 mm box or PP75 guides for 250 mm box, control at extra charge]	476,00 zł/m ²
PA 55 [complete roller shutter in std color, PP66 guides for 205 mm box or PP75 guides for 250 mm box, control at extra charge]	509,00 zł/m ²

SURCHARGES

Valid for the price of a complete roller shutter in standard color.	Price
Armor, box, guides (lac.), bottom strip - wood-like colors Box sides - standard colors	18%
Armor, case, box sides, guides (lac.), bottom strip - woodgrain colors	25%
Armouring, box, box sides, guides (26R,28R,30R,52R,53R), bottom strip - woodgrain colors	30%
Armor - woodgrain colors	4,5%
Armor - extra colors	20%
Box - woodgrain colors (lac.), extra	3,4%
Box - woodgrain colors (veneer) - 30R, 52R, 53R	23,4%
Box sides - woodgrain colors, extra	7%
Guides (lacquer) - woodgrain colors, extra	6,9%
Guides (veneer) - 23R,26R,28R,30R,52R,53R	11,9%
Bottom slat - woodgrain colors, extra	3,2%
Rolled mosquito net - without brake (recommended maximum width 150 cm)	252,00 zł/m ²
Guide bar PK53, PPMO53, PP68 - standard colors	17,00 zł/mb
Guide bar PP45, PU45	34,00 zł/mb
Rod guide PP53/ODS	31,00 zł/mb
Rod guide PP53/ODS/20	43,00 zł/mb
Rod guide PPD79/ODS	42,00 zł/mb
Rod guide PPD79/ODS/20	42,00 zł/mb
Rod guide PPDMO79	42,00 zł/mb
Rod guide PPDO79	without Surcharges
Increasing the size of the box (by one dimension)	5%
Milling (cost of cutting holes for the ratchet system)	100,00 zł/pcs

***The stability of the armor recommended by the system provider is obtained for an area of 7m².**

Above this value, slight undulations of the armor may occur - however, this does not affect functionality and the roller shutter meets all the criteria set by the standard.

For roller blind widths over 250 cm, we recommend the use of guides PP68.

ADAPTIVE SYSTEM SEMIOWAL SKP

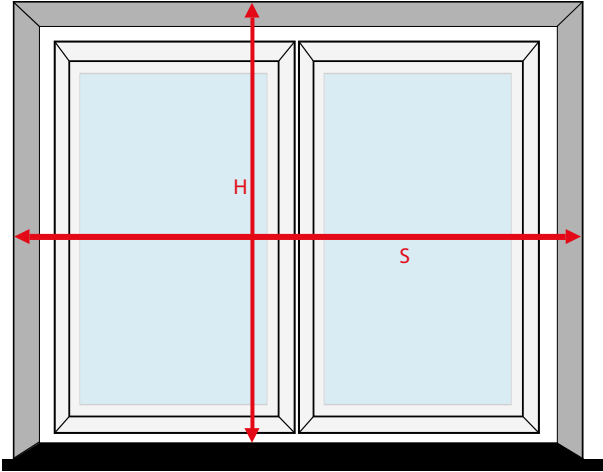
- » Designed for use mainly in existing buildings,
- » They do not require special preparations for installation,
- » Boxes made of high-quality aluminum sheet.



ADAPTIVE SYSTEM SEMIOWAL SKP

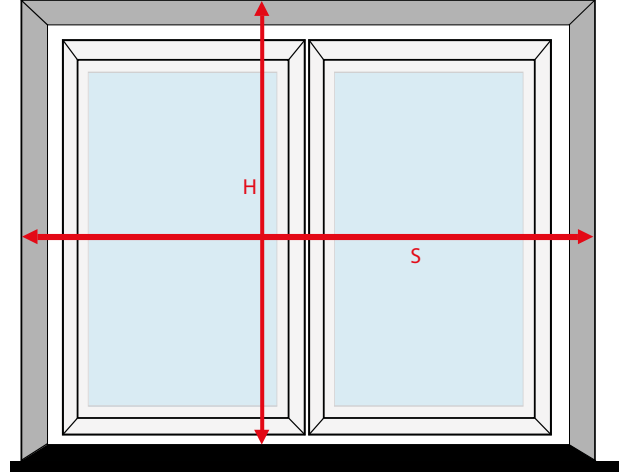
MEASUREMENT

recess



- S** Window recess width = total width of the blind
- H** Height of the window recess = total height of the roller shutter

outside the niche



- S** Window recess width + 2 x guide width (np, 2 x 53 mm) = total width of the blind
- H** Height of the window recess + box dimension (e.g. 137mm) = total height of the roller shutter

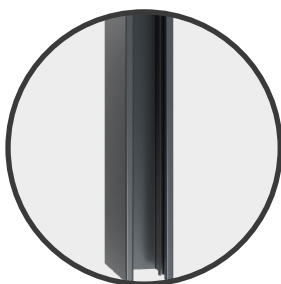
We suggest taking measurements at several locations and selecting the smallest values. The correction for the guide plug (5mm) should be anticipated during the measurement.

We suggest taking measurements in several places and choose the largest values to avoid mounting the product entering the light of the opening. To avoid installation of the box in the light of the opening, the height of the roller shutter should be increased individually.

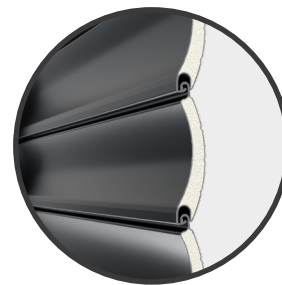
STANDARD EQUIPMENT



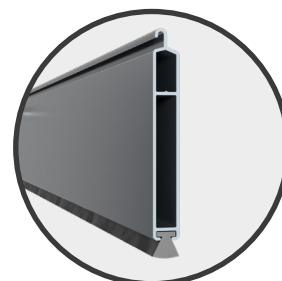
Aluminum box



Aluminum guide



Aluminum roller shutter Profilee filled with polyurethane foam



Bottom strip with gasket

ADAPTIVE SYSTEM SEMIOWAL SKP

TYPES OF PROFILES



PA 39
thickness: 9 mm
Profile height: 39 mm



PA 43
thickness: 8,8 mm
Profile height: 43 mm



PA 52
thickness: 13 mm
Profile height: 52 mm



PA 55
thickness: 14 mm
Profile height: 55 mm



PE 41
thickness: 8,5 mm
Profile height: 41 mm

COLOR SCHEME PA39

STANDARD

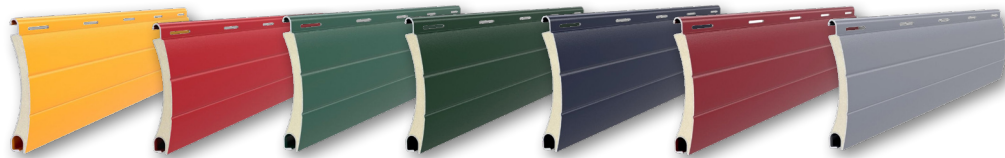


01 silver 02 white 03 grey 04 dark beige 05 beige 08 dark brown 09 brown 15 white cream 16 bone ivory



20 black 22 ultra white 23 grey anthracite 31 light grey 75 grey metallic

EXTRA



11 yellow 12 red 13 green 17 green fir 18 steel blue 19 maroon 33 basalt grey



34 quartz grey 35 concrete grey 37 gray aluminum 38 frosty grey 39 satynowy grey 40 white pearl matte 43 grey pearl anthracite matt

WOOD-SIMILAR



06 dark wood 07 bright wood 24 golden oak 26 mahogany 28 walnut 30 golden oak 36 wenge 49 woodec turner oak 52 winchester 79 light oak

ADAPTIVE SYSTEM SEMIOWAL SKP

COLOR SCHEME PA43

STANDARD



01 silver 02 white 03 grey 04 dark beige 05 beige 08 dark brown 09 brown 15 white cream 16 bone ivory



20 black 22 ultra white 23 grey anthracite 31 light grey

EXTRA



33 basalt grey 34 quartz grey 35 concrete grey 37 gray aluminum

WOOD-SIMILAR



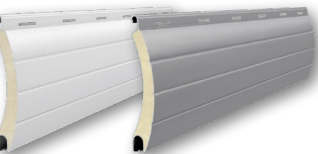
06 dark wood 24 golden oak 26 mahogany 28 walnut 30 golden oak 36 wenge 49 woodec turner oak 52 winchester

COLOR SCHEME PA52

STANDARD



01 silver 02 white 03 grey 05 beige 08 dark brown 09 brown 15 white cream 22 ultra white 23 grey anthracite



31 light grey 75 grey metallic

EXTRA



13 green 34 quartz grey 37 gray aluminum 39 satin grey 40 white mat pearl 43 grey anthracite pearl matt

WOOD-SIMILAR



06 dark wood 28 walnut 30 golden oak 36 wenge 52 winchester

ADAPTIVE SYSTEM SEMIOWAL SKP

COLOR SCHEME PA55

STANDARD



EXTRA



WOOD-SIMILAR

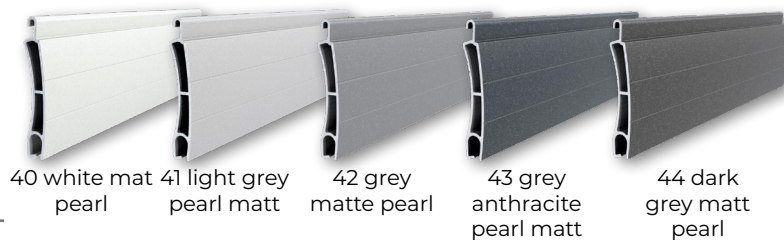


COLOR SCHEME PE41

STANDARD



EXTRA



ADAPTIVE SYSTEM SEMIOWAL SKP

PRICE LIST

Profile The lowest area of the roller shutter for price calculation is 1 m ² . The total dimension of the roller blind is taken for the calculation. The minimum dimension of the box is 137 mm.	Price
PA 39 [complete roller blind in std color, PP53 guides, manual control retractor (up to 3.5 m ² area).]	340,00 zł/m ²
PA 43* [complete roller blind in std color, PP53 guides, manual control retractor (up to 3.5 m ² area).]	387,00 zł/m ²
PE 41 [complete roller blind in std color, PPW66 guides, control for an extra charge, blocking hangers and the cost of milling should be added]	915,00 zł/m ²
PA 52 [complete roller shutter in std color, PP66 guides for 205 mm box or PP75 guides for 250 mm box, control at extra charge]	493,00 zł/m ²
PA 55 [complete roller shutter in std color, PP66 guides for 205 mm box or PP75 guides for 250 mm box, control at extra charge]	526,00 zł/m ²

SURCHARGES

Valid for the price of a complete roller shutter in standard color.	Price
Armor - woodgrain colors	4,5%
Armor - extra colors	20,0%
Slides (lacquer) - woodgrain colors, extra	6,9%
Guides (veneer) - 23R,26R,28R,30R,52R,53R	11,9%
Bottom slat - woodgrain colors, extra	3,2%
Rolled mosquito net - without brake (recommended maximum width 150 cm)	252,00 zł/m ²
Guide bar PK53, PPMO53, PP68 - standard colors	17,00 zł/mb
Guide bar PP45, PU45	34,00 zł/mb
Rod guide PP53/ODS	31,00 zł/mb
Rod guide PP53/ODS/20	43,00 zł/mb
Rod guide PPD79/ODS	42,00 zł/mb
Rod guide PPD79/ODS/20	42,00 zł/mb
Rod guide PPDMO79	42,00 zł/mb
Rod guide PPDO79	without Surcharges
Increasing the size of the box (by one dimension)	5,0%
Milling (cost of cutting holes for the ratchet system)	100,00 zł/pcs

***The stability of the armor recommended by the system provider is obtained for an area of 7m². Above this value, slight undulations of the armor may occur - however, this does not affect functionality and the roller shutter meets all the criteria set by the standard.**

For roller blind widths over 250 cm, we recommend the use of guides PP68.

ADAPTIVE SYSTEM OVAL SKO-P

- » Designed for use mainly in existing buildings,
- » They do not require special preparations for installation,
- » Boxes made of high-quality aluminum sheet.

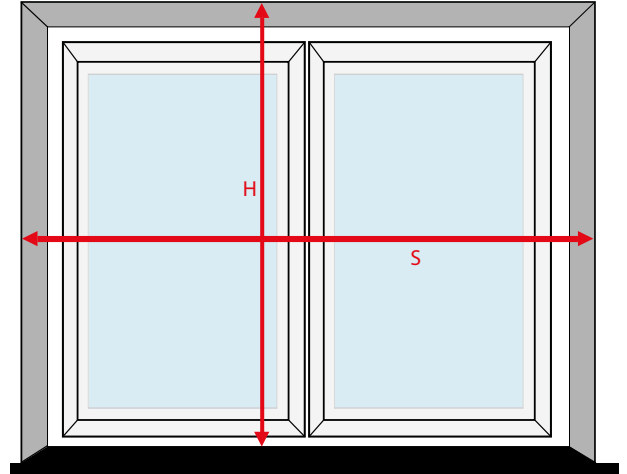
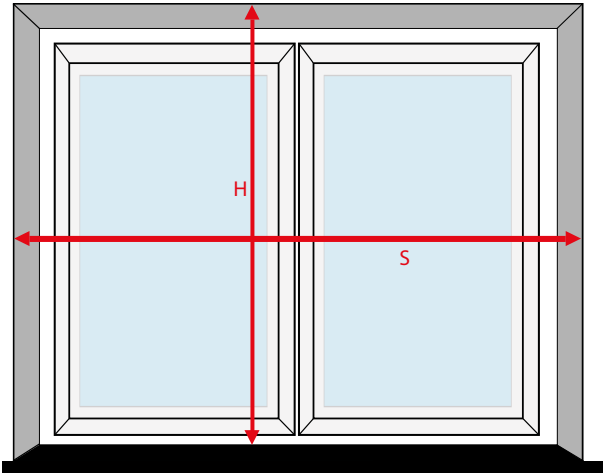


ADAPTIVE SYSTEM OVAL SKO-P

MEASUREMENT

recess

outside the niche



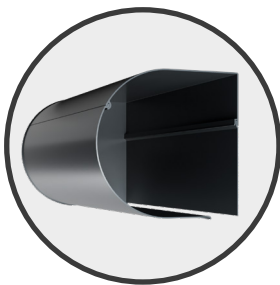
- S** Window recess width = total width of the blind
- H** Height of the window recess = total height of the roller shutter

- S** Window recess width + 2 x guide width (e.g. 2 x 53 mm) = total width of the blind
- H** Height of the window recess + box dimension (e.g. 137mm) = total height of the roller shutter

We suggest taking measurements at several locations and selecting the smallest values. The correction for the guide plug (5mm) should be anticipated during the measurement.

We suggest taking measurements in several places and choose the largest values to avoid mounting the product entering the light of the opening. To avoid installation of the box in the light of the opening, the height of the roller shutter should be increased individually.

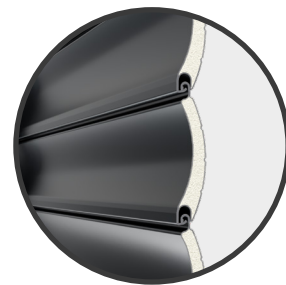
STANDARD EQUIPMENT



Aluminum box



Aluminum guide



Aluminum roller shutter Profilee filled with polyurethane foam



Bottom strip with gasket

ADAPTIVE SYSTEM OVAL SKO-P

TYPES OF PROFILES



PA 39
thickness: 9 mm
Profile height: 39 mm



PA 43
thickness: 8,8 mm
Profile height: 43 mm



PA 52
thickness: 13 mm
Profile height: 52 mm



PA 55
thickness: 14 mm
Profile height: 55 mm



PE 41
thickness: 8,5 mm
Profile height: 41 mm

COLOR SCHEME PA39

STANDARD



01 silver 02 white 03 grey 04 dark beige 05 beige 08 dark brown 09 brown 15 white cream 16 bone ivory



20 black 22 ultra white 23 grey anthracite 31 light grey 75 grey metallic

EXTRA



11 yellow 12 red 13 green 17 green fir 18 steel blue 19 maroon 33 basalt grey



34 quartz grey 35 concrete grey 37 gray aluminum 38 frosty grey 39 satin grey 40 white pearl matte 43 grey pearl anthracite matt

WOOD-SIMILAR



06 dark wood 07 bright wood 24 golden oak 26 mahogany 28 walnut 30 golden oak 36 wenge 49 woodec turner oak 52 winchester 79 light oak

ADAPTIVE SYSTEM OVAL SKO-P

COLOR SCHEME PA43

STANDARD



01 silver 02 white 03 grey 04 dark beige 05 beige 08 dark brown 09 brown 15 white cream 16 bone ivory



20 black 22 ultra white 23 grey anthracite 31 light grey

EXTRA



33 basalt grey 34 quartz grey 35 concrete grey 37 gray aluminum

WOOD-SIMILAR



06 dark wood 24 golden oak 26 mahogany 28 walnut 30 golden oak 36 wenge 49 woodec turner oak 52 winchester

COLOR SCHEME PA52

STANDARD



01 silver 02 white 03 grey 05 beige 08 dark brown 09 brown 15 white cream 22 ultra white 23 grey anthracite



31 light grey 75 grey metallic

EXTRA



13 green 34 quartz grey 37 gray aluminum 39 satin grey 40 white mat pearl 43 grey anthracite pearl matt

WOOD-SIMILAR



06 dark wood 28 walnut 30 golden oak 36 wenge 52 winchester

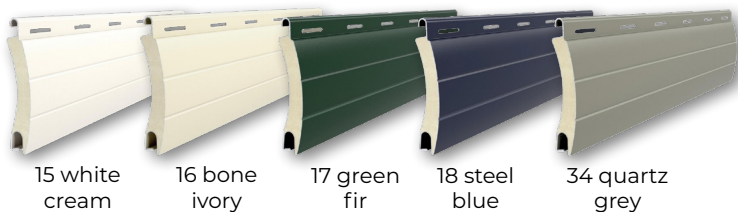
ADAPTIVE SYSTEM OVAL SKO-P

COLOR SCHEME PA55

STANDARD



EXTRA



WOOD-SIMILAR

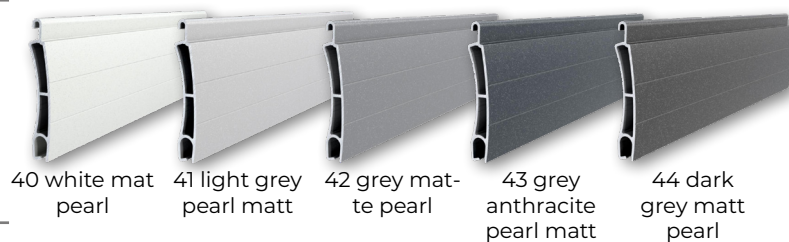


COLOR SCHEME PE41

STANDARD



EXTRA



ADAPTIVE SYSTEM OVAL SKO-P

PRICE LIST

Profile The lowest area of the roller shutter for price calculation is 1 m ² . The total dimension of the roller blind is taken for the calculation. The minimum dimension of the box is 137 mm.	Price
PA 39 [complete roller blind in std color, PP53 guides, manual control retractor (up to 3.5 m ² area).]	379,00 zł/m ²
PA 43* [complete roller blind in std color, PP53 guides, manual control retractor (up to 3.5 m ² area).]	421,00 zł/m ²
PE 41 [complete roller blind in std color, PPW66 guides, control for an extra charge, blocking hangers and the cost of milling should be added]	999,00 zł/m ²
PA 52 [complete roller shutter in std color, PP66 guides for 205 mm box or PP75 guides for 250 mm box, control at extra charge]	509,00 zł/m ²
PA 55 [complete roller shutter in std color, PP66 guides for 205 mm box or PP75 guides for 250 mm box, control at extra charge]	543,00 zł/m ²

SURCHARGES

Valid for the price of a complete roller shutter in standard color.	Price
Box - colors extra	3,4%
Box sides - extra colors	7,0%
Armour - woodgrain colors	4,5%
Armor - extra colors	20,0%
Guide rails (lacquer) - woodgrain colors extra	6,9%
Guides (veneer) - 23R, 26R,28R,30R,52R,53R	11,9%
Bottom slat - woodgrain colors, extra	3,2%
Rolled mosquito net - without brake (recommended maximum width 150 cm)	252,00 zł/m ²
Guide bar PK53, PPMO53, PP68 - standard colors	17,00 zł/mb
Guide bar PP45, PU45	34,00 zł/mb
Rod guide PP53/ODS	31,00 zł/mb
Rod guide PP53/ODS/20	43,00 zł/mb
Rod guide PPD79/ODS	42,00 zł/mb
Rod guide PPD79/ODS/20	42,00 zł/mb
Rod guide PPDMO79	42,00 zł/mb
Rod guide PPDO79	without Surcharges
Increasing the size of the box (by one dimension)	5,0%
Milling (cost of cutting holes for the ratchet system)	100,00 zł/pcs

***The stability of the armor recommended by the system provider is obtained for an area of 7m². Above this value, slight undulations of the armor may occur - however, this does not affect functionality and the roller shutter meets all the criteria set by the standard.**

For roller blind widths over 250 cm, we recommend the use of guides PP68.

When ordering blinds in the OWAL system, specify the method of installation.

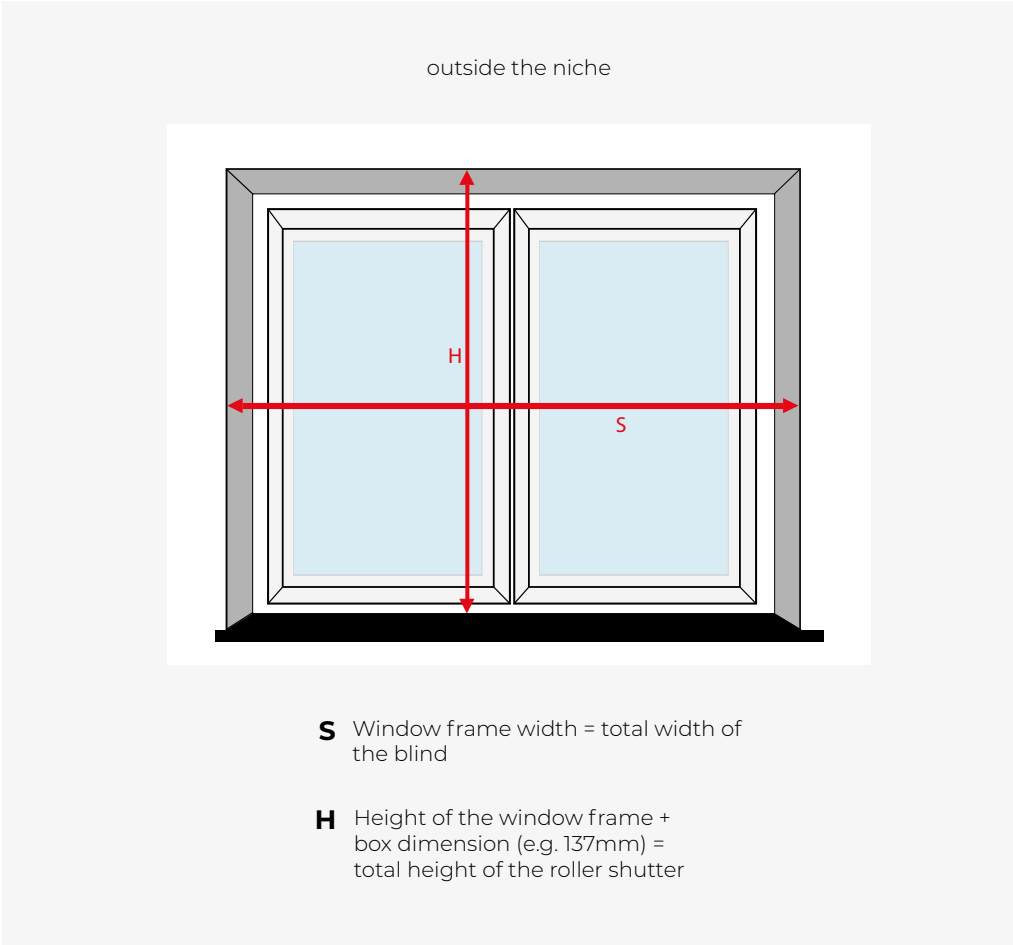
CONCEALED SYSTEM HERA P90

- » Mainly intended for use in newly erected buildings,
- » Excellent protection against heat loss,
- » An integral part of the building.

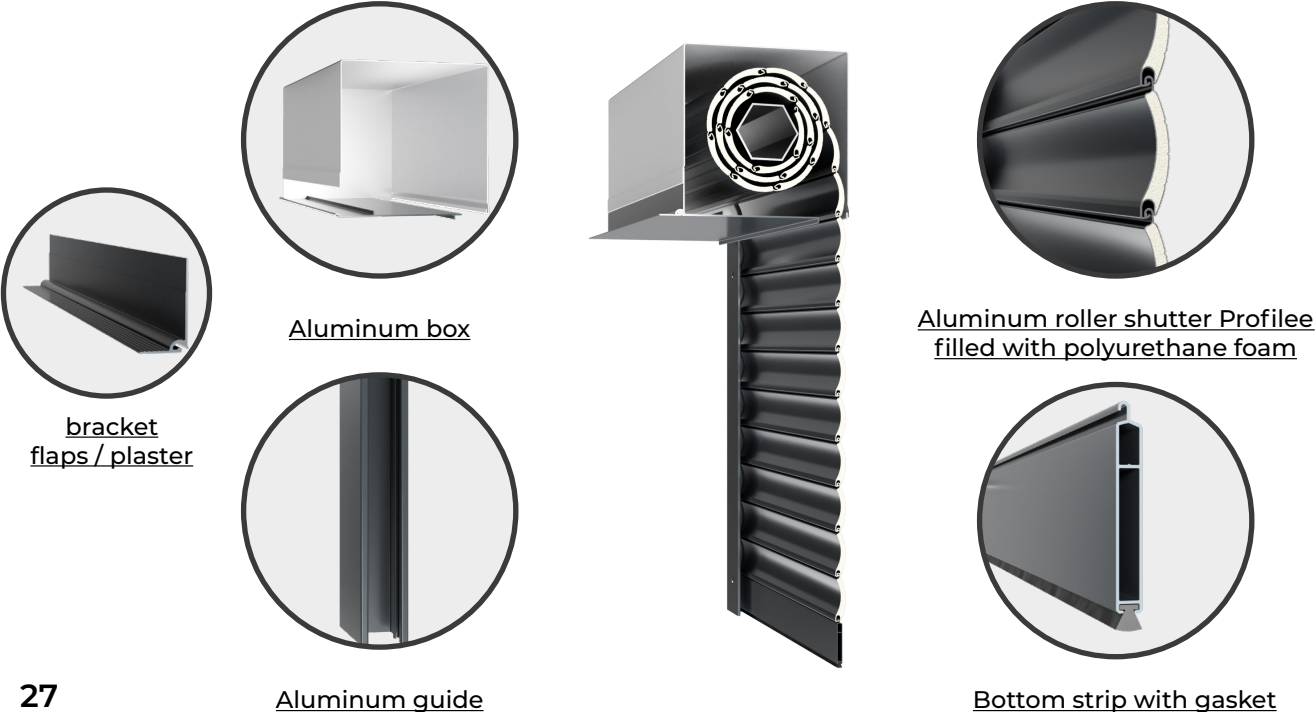


CONCEALED SYSTEM HERA P90

MEASUREMENT

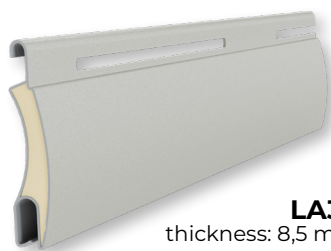


STANDARD EQUIPMENT



CONCEALED SYSTEM HERA P90

TYPES OF PROFILES



LA32
thickness: 8,5 mm
Profile height: 32 mm



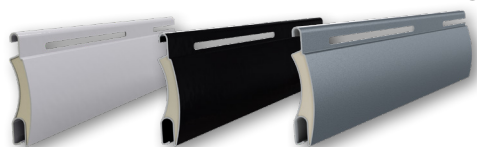
LA 39
thickness: 9 mm
Profile height: 39 mm



LA 43
thickness: 8,8 mm
Profile height: 43 mm

COLOR SCHEME LA32

STANDARD



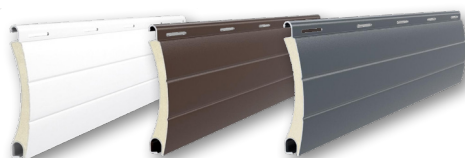
01 silver

20 black

23 grey
anthracite

COLOR SCHEME LA39

STANDARD



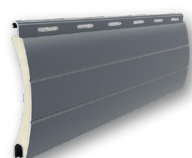
02 white

08 dark
brown

23 grey
anthracite

COLOR SCHEME LA43

STANDARD



23 grey
anthracite

The structural heterogeneity of the color coating of individual system components is due to different paint application technologies and as such is not subject to complaint.

PRICE LIST

Profile	Price
The lowest area of the roller shutter for price calculation is 1 m ² . The total dimension of the roller blind is taken for the calculation. The minimum dimension of the box is 137 mm.	
LA 32 [complete roller blind in std color, PP53 guides, manual control retractor (up to 3.5 m ² area).]	402,00 zł/m ²
LA 39 [complete roller blind in std color, PP53 guides, manual control retractor (up to 3.5 m ² area).]	311,00 zł/m ²
LA 43 [complete roller blind in std color, PP53 guides, manual control retractor (up to 3.5 m ² area).]	333,00 zł/m ²

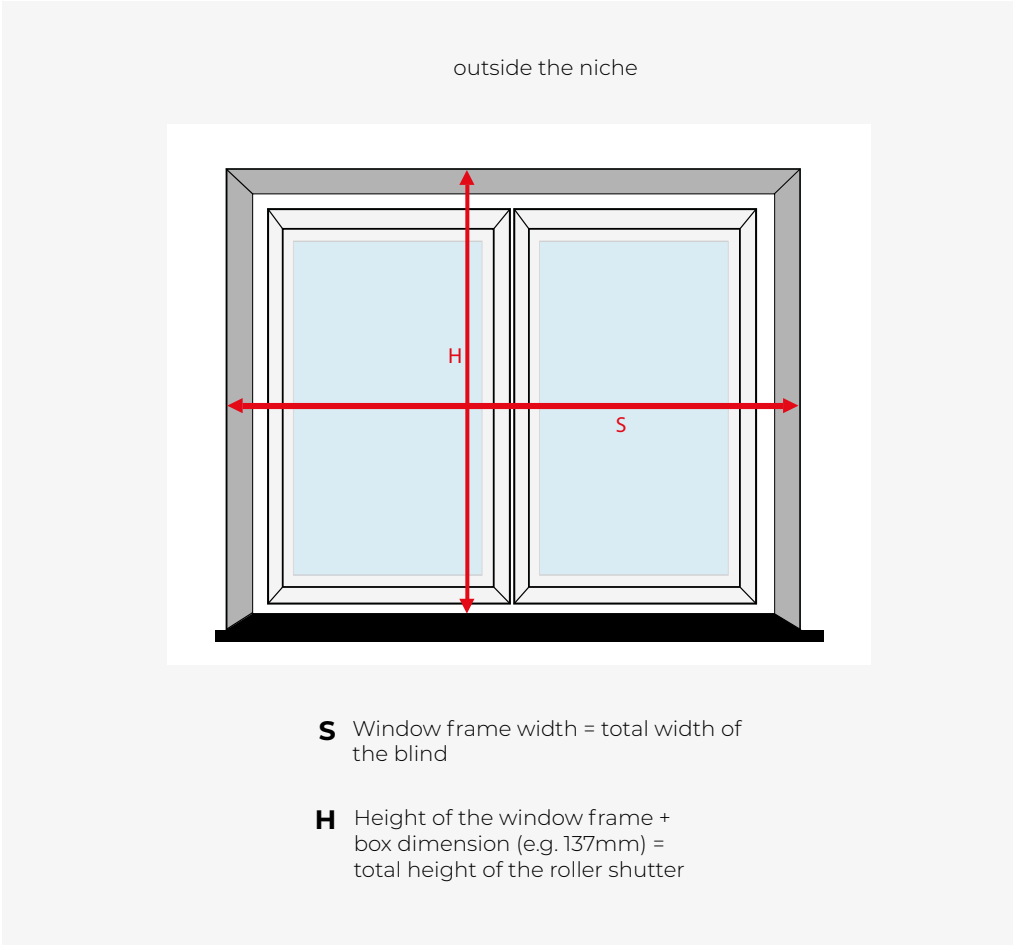
CONCEALED SYSTEM INTEGRO SP-E

- » Mainly intended for use in newly erected buildings,
- » Excellent protection against heat loss,
- » An integral part of the building.



CONCEALED SYSTEM INTEGRO SP-E

MEASUREMENT



STANDARD EQUIPMENT



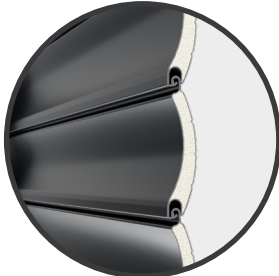
bracket flaps / plaster



Aluminum box



Aluminum guide



Aluminum roller shutter Profilee filled with polyurethane foam



Bottom strip with gasket

CONCEALED SYSTEM INTEGRO SP-E

TYPES OF PROFILES



PA 39
thickness: 9 mm
Profile height: 39 mm



PA 43
thickness: 8,8 mm
Profile height: 43 mm



PA 52
thickness: 13 mm
Profile height: 52 mm



PA 55
thickness: 14 mm
Profile height: 55 mm



PE 41
thickness: 8,5 mm
Profile height: 41 mm



LA32
thickness: 8,5 mm
Profile height: 32 mm

COLOR SCHEME PA39

STANDARD

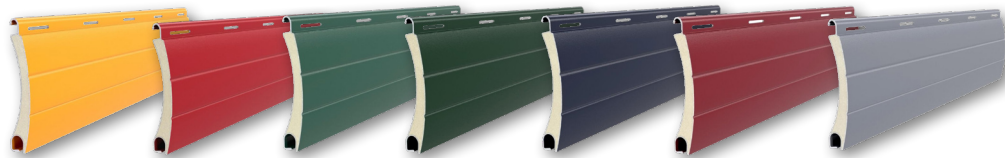


01 silver 02 white 03 grey 04 dark beige 05 beige 08 dark brown 09 brown 15 white cream 16 bone ivory



20 black 22 ultra white 23 grey anthracite 31 light grey 75 grey metallic

EXTRA



11 yellow 12 red 13 green 17 green fir 18 steel blue 19 maroon 33 basalt grey



34 quartz grey 35 concrete grey 37 gray aluminum 38 frosty grey 39 satin-grey 40 white pearl matte 43 grey perłowy antracyt mat

WOOD-SIMILAR



06 dark wood 07 bright wood 24 golden oak 26 mahogany 28 walnut 30 golden oak 36 wenge 49 woodec turner oak 52 winchester 79 light oak

ADAPTIVE SYSTEM INTEGRO SP-E

COLOR SCHEME PA43

STANDARD



01 silver 02 white 03 grey 04 dark beige 05 beige 08 dark brown 09 brown 15 white cream 16 bone ivory



20 black 22 ultra white 23 grey anthracite 31 light grey

EXTRA



33 basalt grey 34 quartz grey 35 concrete grey 37 gray aluminum

WOOD-SIMILAR



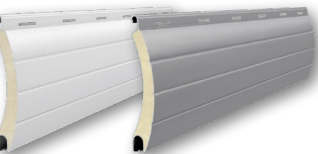
06 dark wood 24 golden oak 26 mahogany 28 walnut 30 golden oak 36 wenge 49 woodec turner oak 52 winchester

COLOR SCHEME PA52

STANDARD



01 silver 02 white 03 grey 05 beige 08 dark brown 09 brown 15 white cream 22 ultra white 23 grey anthracite



31 light grey 75 grey metallic

EXTRA



13 green 34 quartz grey 37 gray aluminum 39 satin grey 40 white mat pearl 43 grey anthracite pearl matt

WOOD-SIMILAR



06 dark wood 28 walnut 30 golden oak 36 wenge 52 winchester

CONCEALED SYSTEM INTEGRO SP-E

COLOR SCHEME PA55

STANDARD



EXTRA



WOOD-SIMILAR

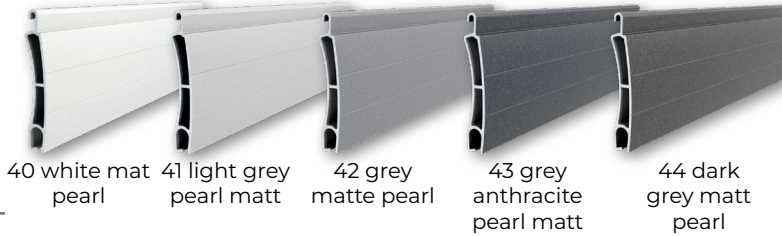


COLOR SCHEME PE41

STANDARD



EXTRA



COLOR SCHEME LA32

STANDARD



CONCEALED SYSTEM INTEGRO SP-E

PRICE LIST

Profile	Price
The lowest area of the roller shutter for price calculation is 1 m ² . The total dimension of the roller blind is taken for the calculation. The minimum dimension of the box is 137 mm.	
LA 32 [complete roller blind in std color, PP53 guides, manual control retractor (up to 3.5 m ² area).]	464,00 zł/m ²
PA 39 [complete roller blind in std color, PP53 guides, manual control retractor (up to 3.5 m ² area).]	358,00 zł/m ²
PA 43* [complete roller blind in std color, PP53 guides, manual control retractor (up to 3.5 m ² area).]	380,00 zł/m ²
PE 41 [complete roller blind in std color, PPW66 guides, control for an extra charge, blocking hangers and the cost of milling should be added]	1.068,00 zł/m ²
PA 52 [complete roller shutter in std color, PP66 guides for 205 mm box or PP75 guides for 250 mm box, control at extra charge]	509,00 zł/m ²
PA 55 [complete roller shutter in std color, PP66 guides for 205 mm box or PP75 guides for 250 mm box, control at extra charge]	543,00 zł/m ²

SURCHARGES

Valid for the price of a complete roller shutter in standard color.	Price
Armouring, inspection flap, guides (lac.), bottom strip - woodgrain colors	25%
Armouring, inspection flap, guides (26R,28R,30R,52R,53R), bottom strip - wood-like colors	30%
Armor - woodgrain colors	4,5%
Armor - extra colors	20%
Inspection flap - woodgrain colors, extra	10,4%
Guides (lacquer) - woodgrain colors, extra	6,9%
Guides (veneer) - 23R, 26R,28R,30R,52R,53R	11,9%
Bottom slat - woodgrain colors, extra	3,2%
Rolled mosquito net - without brake (recommended maximum width 150 cm)	252,00 zł/m ²
Guide bar PK53, PPMO53, PP68	17,00 zł/mb
Guide bar PP45, PU45	34,00 zł/mb
Guide bar PP53/ODS	31,00 zł/mb
Rod guide PP53/ODS/20	43,00 zł/mb
Rod guide PPD79/ODS	42,00 zł/mb
Rod guide PPD79/ODS/20	42,00 zł/mb
Rod guide PPDMO79	42,00 zł/mb
Rod guide PPDO79	without Surcharges
Box extension	279,00 zł/mb
Bracket for inspection flap (used above 200 cm width and from 165 mm box)	68,00 zł/pcs
Increase in box size (by one dimension)	5%
**PAS - Aluthermo mat cut to box dimension [added in bulk - not glued to box].	88,00 zł/mb
**PAS with FILL installation service - Aluthermo mat cut to box dimension including installation on the lintel. [Fulfillment only possible when choosing external blinds with FILL installation service].	119,00 zł/mb
**Aluthermo mat - to be custom cut [mat width is 120 cm].	186,00 zł/mb
Milling (cost of cutting holes for the ratchet system)	100,00 zł/pcs

***The stability of the armor recommended by the system provider is obtained for an area of 7m². Above this value, slight undulations of the armor may occur - however, this does not affect functionality and the roller shutter meets all the criteria set by the standard.**

****The edges of the Aluthermo mat should be secured all around with aluminum tape to seal the edges of the insulation. This activity should be done by yourself during installation.**

For roller blind widths over 250 cm, we recommend the use of guides PP68.

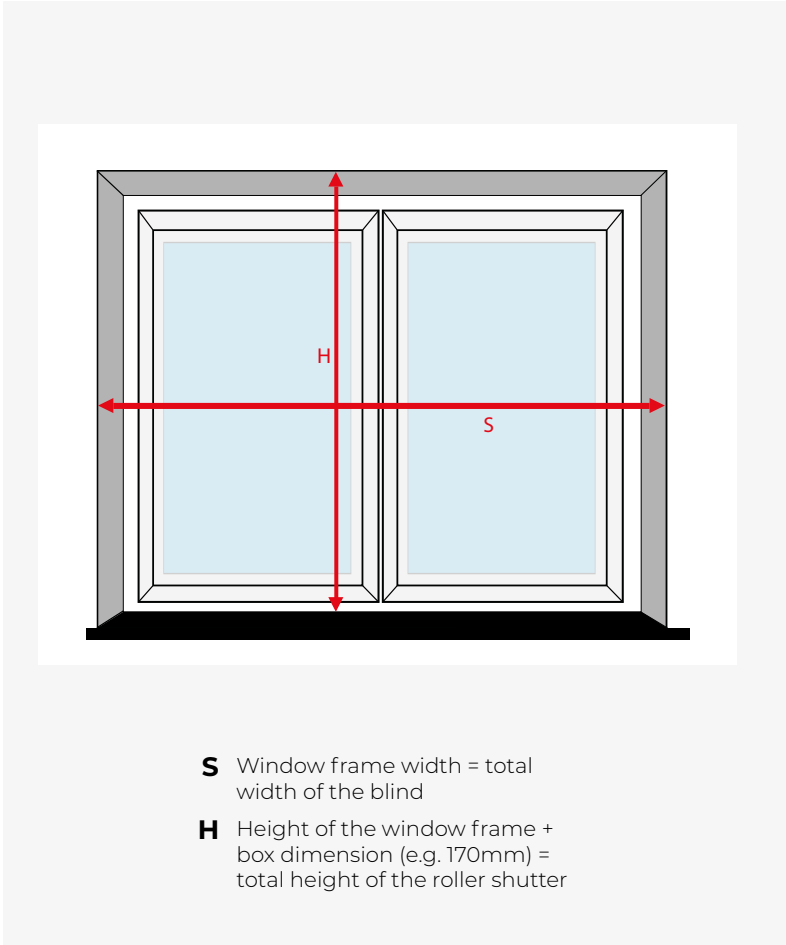
OVER-WINDOW SYSTEM OPOTERM SKT

- » Made of high-quality PVC,
- » The interior of the box additionally insulated, increasing thermal insulation,
- » Mounted directly to the window frame.

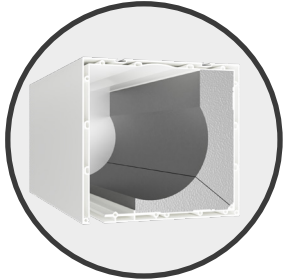


OVER-WINDOW SYSTEM OPOTERM SKT

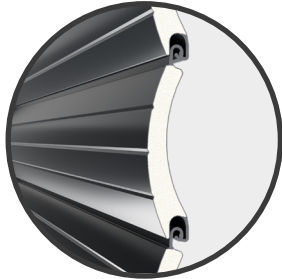
MEASUREMENT



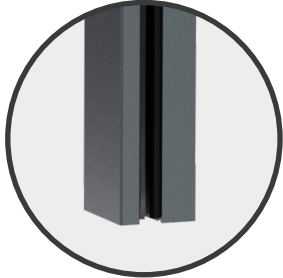
STANDARD EQUIPMENT



PVC box with insulation



Aluminum roller shutter Profilee filled with polyurethane foam



PVC guide



Bottom strip with gasket and buffer

OVER-WINDOW SYSTEM OPOTERM SKT

TYPES OF PROFILES



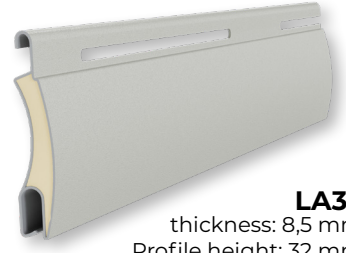
PA 39
thickness: 9 mm
Profile height: 39 mm



PA 43
thickness: 8,8 mm
Profile height: 43 mm



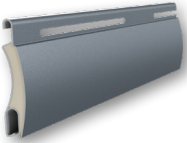
PA 52
thickness: 13 mm
Profile height: 52 mm



LA32
thickness: 8,5 mm
Profile height: 32 mm

COLOR SCHEME LA32

STANDARD



23 grey
anthracite

COLOR SCHEME PA39

STANDARD



01 silver 02 white 03 grey 04 dark beige 05 beige 08 dark brown 09 brown 15 white cream 16 bone ivory



20 black 22 ultra white 23 grey anthracite 31 light grey 75 grey metallic

EXTRA



11 yellow 12 red 13 green 17 green fir 18 steel blue 19 maroon 33 basalt grey



34 quartz grey 35 concrete grey 37 gray aluminum 38 frosty grey 39 satin-grey 40 white pearl matte 43 grey pearl anthracite matt

WOOD-SIMILAR



06 dark wood 07 bright wood 24 golden oak 26 mahogany 28 walnut 30 golden oak 36 wenge 49 woodec turner oak 52 winchester 79 light oak

OVER-WINDOW SYSTEM OPOTERM SKT

COLOR SCHEME PA43

STANDARD



01 silver 02 white 03 grey 04 dark beige 05 beige 08 dark brown 09 brown 15 white cream 16 bone ivory



20 black 22 ultra white 23 grey anthracite 31 light grey

EXTRA



33 basalt grey 34 quartz grey 35 concrete grey 37 gray aluminum

WOOD-SIMILAR



06 dark wood 24 golden oak 26 mahogany 28 walnut 30 golden oak 36 wenge 49 woodec turner oak 52 winchester

COLOR SCHEME PA52

STANDARD



01 silver 02 white 03 grey 05 beige 08 dark brown 09 brown 15 white cream 22 ultra white 23 grey anthracite



31 light grey 75 grey metallic

EXTRA



13 green 34 quartz grey 37 gray aluminum 39 satin grey 40 white mat pearl 43 grey anthracite pearl matt

WOOD-SIMILAR



06 dark wood 28 walnut 30 golden oak 36 wenge 52 winchester

OVER-WINDOW SYSTEM OPOTERM SKT

PRICE LIST

Profile	Price
The lowest area of the roller shutter for price calculation is 1 m ² . The total dimension of the roller blind is taken for the calculation. Minimalny box dimension wynosi 170 mm.	
LA 32 [Complete roller shutter in std color, PPD60/12 guides, manual control retractor (up to 3.5 m ² area).]	433,00 zł/m ²
PA 39 [Complete roller shutter in std color, PPD60/12 guides, manual control retractor (up to 3.5 m ² area).]	335,00 zł/m ²
PA 43* [Complete roller shutter in std color, PPD60/12 guides, manual control retractor (up to 3.5 m ² area).]	356,00 zł/m ²
PA 52 [complete roller blind in std color, PPD60/17 guides, control at extra charge]	467,00 zł/m ²

SURCHARGES

Valid for the price of a complete roller shutter in standard color.	Price
Armouring, box (internal, external), PVC guides, bottom strip - wood-like colors	25%
Armor - wood-like colors	4,5%
Armor - extra colors	20%
PVC guides - woodgrain colors	6,64%
Bottom slat - woodgrain colors, extra	3,2%
Box inside - woodgrain colors	6,83%
Box outside - woodgrain colors	3,83%
Aluminum slides - white, dark-brown	56,00 zł/mb
Aluminum guides (veneer) - 28R, 30R	80,00 zł/mb
Plaster support Profilee - standard colors	25,00 zł/mb
Plaster support Profilee - woodgrain colors	30,00 zł/mb
Rail PPDM60/12, PPDM60/17 - standard colors	25,00 zł/mb
Rod guide PPMO60/12 - standard colors	98,00 zł/mb
Rod guide PPDAMW60/12 - standard colors (SKT NOVA system)	129,00 zł/mb
Rod PPDAMW60/12 - woodgrain colors (SKT NOVA system)	152,00 zł/mb
Roller mosquito net - without brake (recommended maximum width 150 cm)	252,00 zł/m ²
Enlargement of the box	271,00 zł/mb
Increase the size of the box (by one dimension)	5%
WSS: internal reinforcing anchor*	133,00 zł/pcs
KLM mounting wedge (protecting the box from deformation during plastering)	1,00 zł/pcs
Roller shutter without guides - UPUST	8,00 zł/m ²
SKT NPB: box side cover caps - colors: 02,08,23,32	34,00 zł/set
PSBO: oval box side Profilee	57,00 zł/mb

Proposal for reinforcements:

The number of WSS reinforcements is decided by the window joinery designer.

Number of reinforcements WSS		Pcs	1	2	3	4	5	6	7
Window width	PVC	mm	1401-2100	2101-2800	2801-3500	3501-4200	4201-4900	4901-5600	5601-6000
	aluminum / wooden	mm	1601-2400	2401-3200	3201-4000	4001-4800	4801-5600	5601-6000	-
	Sliding*	mm	1001-1500	1501-2000	2001-2500	2501-3000	3001-3500	3501-4000	4001-4500

*The stability of the armor recommended by the system provider is obtained for an area of 7m². Above this value, slight undulations of the armor may occur - however, this does not affect functionality and the roller shutter meets all the criteria set by the standard.

ANTI-THEFT SYSTEM RC CLASS 3 – SK SYSTEM

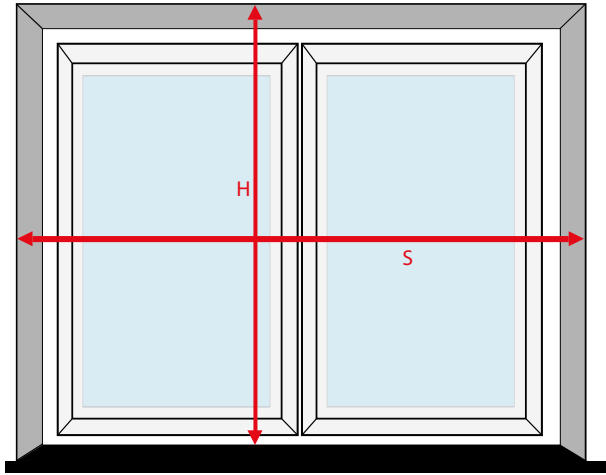
- » Reinforced design of the guide that prevents them from bending and pulling out the roller shutter Profiles,
- » Bottom slat loading conditioning the rigidity and stability of the armor,
- » A patent-protected ratchet mechanism located at the bottom of the roller shutter, the main purpose of which is to prevent the roller shutter curtain from lifting,
- » Additional reinforcement of the shutter curtain guarantees high impact resistance.



ANTI-THEFT SYSTEM RC CLASS 3 – SK SYSTEM

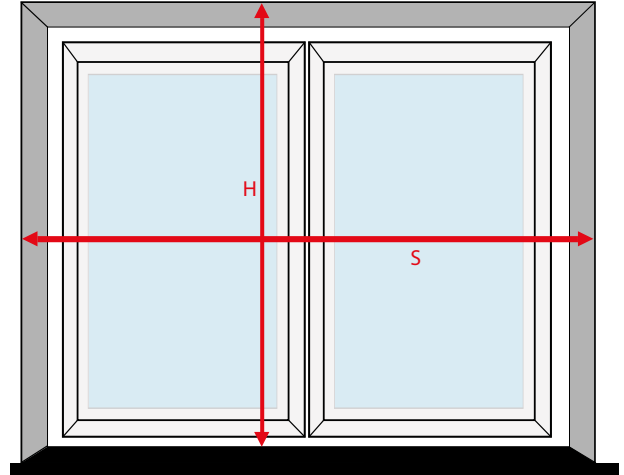
MEASUREMENT

recess



- S** Window recess width = total width of the blind
- H** Height of the window recess = total height of the roller shutter

outside the niche



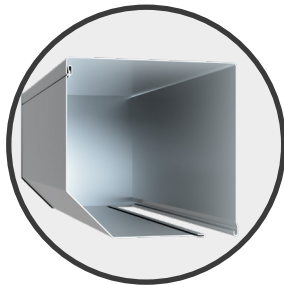
- S** Window recess width + 2 x guide width (e.g. 2 x 80 mm) = total width of the blind
- H** Height of the window recess + box dimension (e.g. 180 mm) = total height of the roller shutter

We suggest taking measurements at several locations and selecting the smallest values. The correction for the guide plug (5mm) should be anticipated during the measurement.

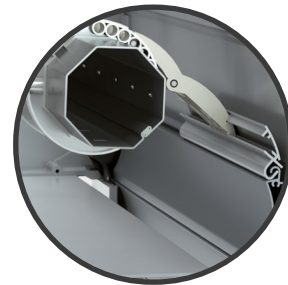
We suggest taking measurements in several places and choose the largest values to avoid mounting the product entering the light of the opening. To avoid installation of the box in the light of the opening, the height of the roller shutter should be increased individually.

Characteristics of burglary resistance class:

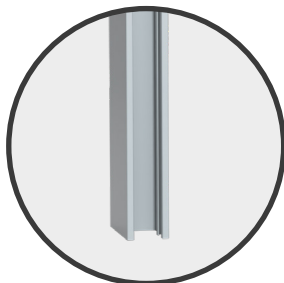
RC 3 (WK 3) – resistance time is 5 min. Protection against opening the roller shutter with simple devices, i.e. screwdriver, scissors, as well as with a crowbar.



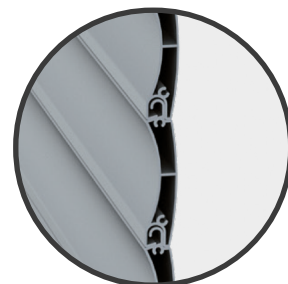
Box
aluminum



Hanger
lock

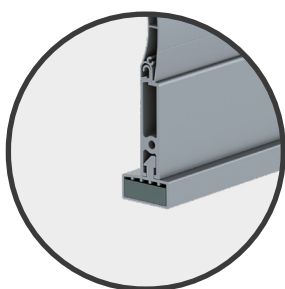


Aluminum guide



Aluminum Profilee
extruded

ANTI-THEFT SYSTEM RC CLASS 3 – SK SYSTEM



Bottom slat
with weight



Ratchet mechanism

TYPES OF PROFILEES



PE 55
thickness: 14 mm
Profile height: 55 mm

COLOR SCHEME PE55

STANDARD



02 white

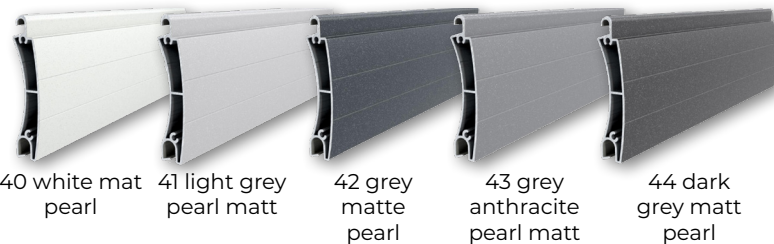
03 grey

05 beige

08 dark
brown

09 brown

EXTRA



40 white mat
pearl

41 light grey
pearl matt

42 grey
matte
pearl

43 grey
anthracite
pearl matt

44 dark
grey matt
pearl

ANTI-THEFT SYSTEM RC CLASS 3 – SK SYSTEM

PRICE LIST

Profile The lowest area of the roller shutter for price calculation is 1 m ² . The total dimension of the roller blind is taken for the calculation. Minimalny box dimension wynosi 180 mm.	Price
PE 55	1.993,00 zł/m ²

SURCHARGES

Valid for the price of a complete roller shutter in standard color.	Price
Armor - colors extra	20%
Box - woodgrain colors, extra	3,4%
Box sides - woodgrain colors, extra	7%
Guide rails - extra colors	6,9%
Bottom slat - woodgrain colors, extra	3,2%
Increase the size of the box (by one dimension)	5%

Note!

Roller shutter of PE55 Profilee can not be operated with a manual drive. Roller shutters cannot form sets.

The maximum width for the RC 3 roller shutter is 2800 mm.

Mandatory elements, qualifying for RC 3* certification:

PE55 Profilee, reinforced guides (PPW80 or PPW90), locking hangers, reinforced bottom rail, anti-burglary unit, electric drive.

*The certificate is valid only in the territory of Poland.

ROLL-UP DOOR BGR

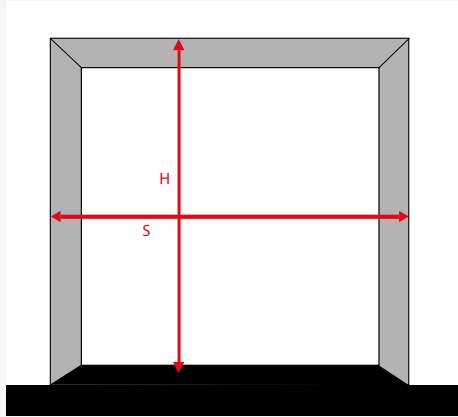
- » Designed for use mainly in existing buildings, but also in facilities under construction,
- » They do not require special preparations for installation,
- » Boxes made of high-quality aluminum sheet.



ROLL-UP DOOR BGR

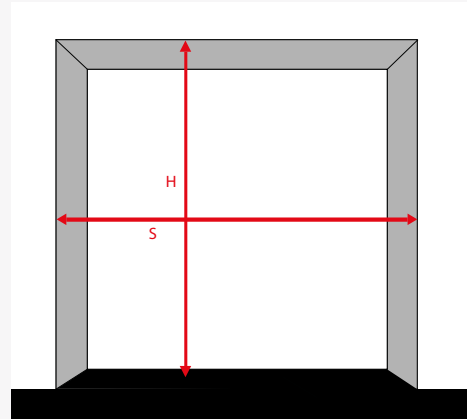
MEASUREMENT

recess



- S** Door cavity width = total gate width
- H** Door recess height = total height of the gate

outside the niche



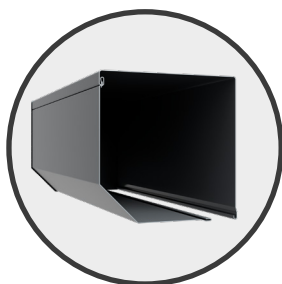
- S** Door cavity width + 2 x guide width (e.g. 2 x 75 mm) = total width of the blind
- H** Door recess height + box dimension (e.g. 250 mm) = total height of the gate

Note! The bottom slat of the roller door does not wrap around the box, so it lowers the entrance light by about 10cm. In order to obtain the full light of the opening, the door should be ordered about 10cm higher than the light of the opening (when installing the door outside the recess/opening).

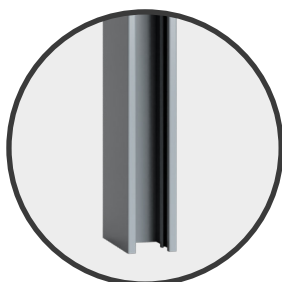
We suggest taking measurements at several locations and selecting the smallest values.

We suggest taking measurements in several places and choose the largest values to avoid mounting the product entering the light of the opening. To avoid installation of the box in the light of the opening, the height of the gate must be increased individually.

STANDARD EQUIPMENT



Aluminum box



Aluminum guide



Aluminum roller shutter Profilee filled with polyurethane foam



Bottom strip with gasket

ROLL-UP DOOR BGR

TYPES OF PROFILEES



PA 55
thickness: 13 mm
Profile height: 55 mm



PA 77
thickness: 18,5 mm
Profile height: 77 mm

COLOR SCHEME PA55

STANDARD	<p>01 silver 02 white 03 grey 05 beige 08 dark brown 09 brown 22 ultra white 23 grey anthracite</p>
EXTRA	<p>15 white cream 16 bone ivory 17 green fir 18 steel blue 34 quartz grey</p>
WOOD-SIMILAR	<p>06 dark wood 07 bright wood 30 gold oak</p>

COLOR SCHEME PA77

STANDARD	<p>01 silver 02 white 03 grey 05 beige 08 dark brown 09 brown 22 ultra white 23 grey anthracite</p>
WOOD-SIMILAR	<p>06 dark wood 28 walnut 30 golden oak</p>

ROLL-UP DOOR BGR

PRICE LIST

Profile The lowest area of the gate for price calculation is 6 m ² . The total dimension of the gate is taken for the calculation.	Price
PA 55	499,00 zł/m ²
PA 77	644,00 zł/m ²

As standard, the gate is equipped with a 24.5 cm long axle and a 150 cm long crank.

If the crank is brought out through the wall, the thickness of the wall must be specified.

It is possible to use Profilees with PER77 glazing.

SECURITIES (to be added to the gate):

Private utility: inertial brake, drive.

Public utility: inertial brake, drive, photocells.

SURCHARGES – APPLY ONLY TO DOORS IN PA55 PROFILEE

Valid for the price of a complete roller shutter in standard color.	Price
Armor - woodgrain colors	4,5%
Armor - extra colors	20,0%
Box - woodgrain colors, extra	3,4%
Box sides - woodgrain colors, extra	7,0%
Guide rails - extra colors	6,9%
Bottom slat - woodgrain colors, extra	3,2%

SURCHARGES

Valid for the price of a complete roller shutter in standard color.	Price
Extension (in case of leading the crank through the wall)	19,00 zł/pcs
Glazing for PA 77 - standard colors	167,00 zł/mb
Cardan joint with a hook (crank length 150 cm or 180 cm) - PKUC 45	458,00 zł/set
Cardan joint with hook (crank length 150 cm or 180 cm) - PKUC 90	535,00 zł/set
Cardan joint with a bellhook (crank length 150 cm) - PKC45	582,00 zł/set
Cardan joint with bell clip (crank length 150 cm) - PKC90	663,00 zł/set
ALUPROF optical slat (edge protection) - anti-burglary unit	1.178,00 zł/set
ALUPROF optical strip (edge protection) - rubber seal	109,00 zł/mb
SOMFY optical strip (edge protection) - anti-burglary assembly	826,00 zł/set
SOMFY optical strip (edge protection) - rubber seal	86,00 zł/mb
Rollixo RTS roller door drive controller (for Somfy wired drive)	1.288,00 zł/pcs
Rollixo IO roller door drive controller (for Somfy wired drive)	1.516,00 zł/pcs
Master Pro photocells - Bitech (for Somfy drives)	268,00 zł/pcs
Photocells (dedicated to Gamma X control panel)	192,00 zł/pcs
Photocells (dedicated to AL.-BR01 control panel)	341,00 zł/pcs
Inertial brake	630,00 zł/pcs
Gamma X control panel	392,00 zł/pcs
AL.-BR01 control panel	945,00 zł/pcs
CRS-435XG control panel (for Aluprof, Inel, Mobilus wired drive)	394,00 zł/pcs
Lock for emergency opening	133,00 zł/pcs

ACCESSORIES AND OTHER ITEMS

Requests for quotations for accessories not listed in the price list should be addressed to the Sales Department.

	Unit	Price
Roller blind hanger 130(box 137-165)	pcs	6,00
Roller blind hanger 170(box 180-205)	pcs	10,00
Roller blind hanger 190(box 250-350)	pcs	15,00
Lock hanger (for roller shutters)	pcs	25,00
Locking hanger (for gates and Profilees PE41, PE55)	pcs	39,00
Spring SetN250	pcs	8,00
Spring SetN500	pcs	11,00
Cord / tape holder	pcs	15,00
Brake for rolling mosquito net	pcs	65,00
PP53 bottom guide stopper	pcs	2,00
Guide rail lower plug PPD79	pcs	3,00
Rod end cap	pcs	0,30
Screw masking plug "cap"	pcs	0,40
Buffer 30 mm for bottom bar	pcs	1,00
Tape	mb	2,00
Cord	mb	2,00
Rope / tape adapter	pcs	3,00
Rope / tape retractor (up to 3.5 m ² area)	pcs	41,00
Flush mounted tape retractor (up to 3.5 m ² area)	pcs	55,00
Cord / tape crank retractor (up to 5 m ² area)	pcs	92,00
Mignon crank	pcs	34,00
Automatic rod (min. 100 cm high)	set	85,00
Manual rod	set	29,00
Colored rivet	pcs	0,30
Raw rivet	pcs	0,20
Winding wheel for box size 125	pcs	5,00
Winding wheel for box size 137	pcs	6,00
Winding wheel for box size 165	pcs	8,00
Winding wheel for box size 180	pcs	11,00
Winding wheel for box size 205	pcs	14,00
Crank length 150 cm	pcs	110,00
Crank length 180 cm	pcs	126,00
Winding tube Ø 40	mb	18,00
Winding pipe Ø 60	mb	32,00
Winding tube Ø 70	mb	63,00
Fixed stoppers	pcs	0,30
Rotary stops	pcs	4,00
Cover OBS40	pcs	4,00
Cap OBS60	pcs	10,00
LO28 bearing	pcs	3,00
LO40 bearing	pcs	4,00
AluClick mosquito net repair kit	set	14,00
SLMI sliders - color black (Opoterm system Profilee PA39, PA43)	set	4,00
SLMA sliders - color black (Opoterm system Profilee PA52, PA55)	set	4,00
SL/2 sliders - color 02,03,05,08,09,23,32 (dedicated PP53)	set	5,00
SL/3 slides - color 02,03,05,08,09,32 (dedicated PP68, PPW66)	set	8,00
SL/5 sliders - color 02,03,05,08,09,23,32 (dedicated PPDO53, PPMO53)	set	8,00

ACCESSORIES AND OTHER ITEMS

ARMOR (bottom slat included in the price)	Unit	Price
PA 39 - standard colors	m2	240,00
PA 39 - wood-like colors	m2	261,00
PA 39 - extra colors	m2	284,00
PA 43 - standard colors	m2	247,00
PA 43 - wood-like colors	m2	273,00
PA 43 - extra colors	m2	298,00
PA 52 - standard colors	m2	329,00
PA 52 - woodgrain colors	m2	362,00
PA 52 - extra colors	m2	391,00
PA 55 - standard colors	m2	362,00
PA 55 - woodgrain colors	m2	395,00
PA 55 - extra colors	m2	428,00
PA 77 - standard colors	m2	467,00
PE 41 - standard colors	m2	493,00
LA 32 - standard colors	m2	299,00
LA 39 - standard colors	m2	204,00
LA 39 - woodgrain colors	m2	235,00
LA 43 - standard colors	m2	220,00

BOTTOM STRIP

LDG-E - standard colors (dedicated to Profilees: PA39, PA43, PE41)	mb	40,00
LDG-E - woodgrain colors (dedicated to Profilees: PA39, PA43, PE41)	mb	50,00
LDG-E - extra colors (dedicated to Profilees: PA39, PA43, PE41)	mb	55,00
LDG 52 - standard colors (dedicated to Profilees: PA52)	mb	60,00
LDG 52 - woodgrain colors (dedicated to Profilees: PA52)	mb	80,00
LDG 52 - extra colors (dedicated to Profilees: PA52)	mb	76,00
LDG 52/OPT - standard colors (dedicated to Profilees: PA52)	mb	64,00
LDG 52/OPT - woodgrain colors (dedicated to Profilees: PA52)	mb	84,00
LDG 52/OPT - extra colors (dedicated to Profilees: PA52)	mb	66,00
LDG 55/W - standard colors (dedicated to Profilees: PE55)	mb	150,00
LDG 55/W - extra colors (dedicated to Profilees: PE55)	mb	158,00
LDG/S - standard colors (dedicated to Profilees: PA55)	mb	60,00
LDG/S - woodgrain colors (dedicated to Profilees: PA55)	mb	111,00
LDG/S - extra colors (dedicated to Profilees: PA55)	mb	65,00
LDG/D - standard colors (dedicated to Profilees: PA77)	mb	106,00
LDG/D - woodgrain colors (dedicated to Profilees: PA77)	mb	126,00
LDG/D - extra colors (dedicated to Profilees: PA77)	mb	108,00

ACCESSORIES AND OTHER ITEMS

GUIDES (for aluminum roller shutters)

PP45 - standard colors	mb	70,00
PU45 - standard colors	mb	70,00
PP53 - standard colors	mb	42,00
PP53 - wood-like colors	mb	50,00
PP53 - extra colors	mb	77,00
PK53 - standard colors	mb	58,00
PK53 - wood-like colors	mb	74,00
PK53 - extra colors	mb	76,00
PP53/ODS - standard colors	mb	74,00
PP53/ODS - extra colors	mb	94,00
PP53/ODS/20 - standard colors	mb	77,00
PP53/ODS/20 - extra colors	mb	100,00
PPMO53 - standard colors	mb	81,00
PPMO53 - woodgrain colors	mb	125,00

GUIDES (for aluminum roller shutters)

	Unit	Price
PPMO53 - extra colors	mb	88,00
PPDO53 - standard colors	mb	88,00
PPDO53 - woodgrain colors (lacquer)	mb	94,00
PPDO53 - woodgrain colors (veneer)	mb	115,00
PPDO53 - extra colors	mb	100,00
PP66 - standard colors	mb	89,00
PP66 - woodgrain colors	mb	107,00
PP66 - extra colors	mb	113,00
PP68 - standard colors	mb	58,00
PP68 - woodgrain colors	mb	74,00
PP68 - extra colors	mb	84,00
PP75 - standard colors	mb	91,00
PP75 - extra colors	mb	116,00
PP89 - standard colors	mb	192,00
PP110 - standard colors	mb	224,00
PPW66 - standard colors	mb	172,00
PPW66 - extra colors	mb	195,00
PPW80 - standard colors	mb	224,00
PPW80 - extra colors	mb	251,00
PPW90 - standard colors	mb	272,00
PPW90 - extra colors	mb	296,00
PPD79 - standard colors	mb	83,00
PPD79 - woodgrain colors	mb	100,00
PPD79 - extra colors	mb	108,00
PPDMO79 - standard colors	mb	108,00
PPDMO79 - woodgrain colors	mb	125,00
PPDMO79 - extra colors	mb	116,00
PPDO79 - standard colors	mb	146,00
PPDO79 - extra colors	mb	166,00
PPD79/ODS - standard colors	mb	116,00
PPD79/ODS - extra colors	mb	123,00
PPD79/ODS/20 - standard colors	mb	125,00

ACCESSORIES AND OTHER ITEMS

GUIDES (for PVC roller shutters)

PPD 60/12 - standard colors	mb	42,00
PPD 60/12 - woodgrain colors	mb	50,00
PPD 60/17 - standard colors	mb	42,00
PPD 60/17 - woodgrain colors	mb	50,00
PPD-P 60/12 - standard colors	mb	50,00
PPD-P 60/12 - woodgrain colors	mb	75,00
PPD-P 60/17 - standard colors	mb	50,00
PPD-P 60/17 - woodgrain colors	mb	75,00
PPDM 60/12 - standard colors	mb	65,00
PPDM 60/12 - woodgrain colors	mb	82,00
PPDM 60/17 - standard colors	mb	65,00
PPDM 60/17 - woodgrain colors	mb	82,00
PPMO 60/12 - standard colors	mb	125,00
PPMO 60/12 - woodgrain colors	mb	132,00

GUIDES (for PVC roller shutters)

	Unit	Price
PPDAMW 60/12 - standard colors	mb	193,00
PPDAMW 60/12 - woodgrain colors	mb	201,00
PPDA 60/12 - standard colors	mb	108,00
PPDA 60/12 - woodgrain colors	mb	125,00
PPDA 60/17 - standard colors	mb	108,00
PPDA 60/17 - woodgrain colors	mb	125,00
PPDA-P 60/12 - standard colors	mb	116,00
PPDA-P 60/12 - woodgrain colors	mb	140,00
PPDA-P 60/17 - standard colors	mb	116,00
PPDA-P 60/17 - woodgrain colors	mb	140,00

CAPS, SPACERS, OTHER

N/PPDO53 - standard colors	mb	30,00
N/PPDO53 - extra colors	mb	37,00
N/PPD79 - standard colors	mb	43,00
N/PPD79 - extra colors	mb	50,00
N/PP66 - standard colors	mb	39,00
N/PP66 - extra colors	mb	43,00
D/PP - standard colors	mb	37,00
D/PP - woodgrain colors, extra	mb	55,00
KT30	mb	35,00

VARNISHING PRICE LIST

The prices in the table below apply only to painting in RAL colors.

In the case of painting on IGP/TIGER series color, the price increases by 30%*.

*Please contact the Sales Department to verify the amount of surcharge.

For non-standard colors, the above surcharge may be modified.

	Unit	Price
ARMOR		
ARMOR full without perforation (without bottom slat) Profilee PA39, PA43, PA52 Counted total area of the roller shutter.	m2	190,00
Boxes		
Size 125mm	mb	72,00
Size 137mm	mb	72,00
Size 165mm	mb	89,00
Size 180mm	mb	96,00
Size 205mm	mb	117,00
Size 250mm	mb	133,00
Size 300mm	mb	161,00
Size 350mm	mb	192,00
SIDE OF THE BOX		
Size 125mm	set	17,00
Size 137mm	set	17,00
Size 165mm	set	17,00
Size 180mm	set	17,00
Size 205mm	set	17,00
Size 250mm	set	21,00
Size 300mm	set	26,00
Size 350mm	set	34,00
INSPECTION COVERS SP-E		
Size 137mm	mb	26,00
Size 165mm	mb	27,00
Size 180mm	mb	31,00
Size 205mm	mb	38,00
BOTTOM SLATS		
LDG-E (dla PA39, PA43, PE41)	mb	12,00
LDG52, LDG52/OPT, LDG/S, LDG55/W (dla PA52, PA55, PE55)	mb	17,00
LDG/D (dla PA77)	mb	28,00
LDSM MKT (BOTTOM STRIP for mosquito nets)	mb	12,00
GUIDES, CAPS, SPACERS, OTHER		
Guide bar PP45	mb	23,00
Guide bar PU45	mb	23,00
Guide bar PP53	mb	18,00
Guide bar PP68	mb	25,00
Guide bar PK53	mb	29,00
Guide bar PP66	mb	23,00
Guide bar PP53/ODS	mb	29,00
Guide bar PP53/ODS/20	mb	29,00
Guide bar PP75	mb	25,00
Guide bar PP89	mb	29,00
Guide bar PP110	mb	33,00
Guide bar PPD053	mb	23,00
Guide bar PPM053	mb	23,00

VARNISHING PRICE LIST

GUIDES, CAPS, SPACERS, OTHER	Unit	Price
Guide bar PPD79	mb	29,00
Guide bar PPDO79	mb	29,00
Guide bar PPD79/ODS	mb	29,00
Guide bar PPD79/ODS/20	mb	29,00
Rod guide PPW66	mb	23,00
Rod guide PPW80, PPW90	mb	31,00
Cover panel N/PPDO	mb	23,00
Cover N/PP66	mb	23,00
Cover N/PPD79	mb	29,00
Spacer D/PP	mb	18,00
Plaster carrier	mb	17,00
Glazing PER77	mb	32,00
PPDA 60/12, PPDA 60/17	mb	23,00
PPDA-P 60/12, PPDA-P 60/17	mb	23,00
KT30	mb	17,00

The warranty covers the painting of the armor. Nevertheless, we would like to inform you that in the case of varnishing of elements subject to work, there is a possibility of the appearance, at an interval depending on the frequency of use, of chipping, scratches or other damage to the paint associated with the location of the varnish coating.

If you would like to use the service of varnishing elements not listed in the above table, please contact our Sales Department directly.

The structural non-uniformity of the coloristic coating of individual system components is due to different paint application technologies and as such is not subject to complaint.

ACCESSORIES

MECHANISM ACEC	Unit	Price
Cardan crank with hook, crank length 150 cm or 180 cm - PKUC45	pcs	458,00
Cardan crank with hook, crank length 150 cm or 180 cm - PKUC90	pcs	535,00
Cardan crank with bell hook, crank length 150 cm - PKUC45	pcs	582,00
Cardan crank with bell catch, crank length 150 cm - PKUC90	pcs	663,00
SPRING CONTROL*		
S 4010	pcs	73,00
S 4017	pcs	93,00
S 4015	pcs	83,00
S 4025	pcs	134,00
S 6012	pcs	93,00
S 6018	pcs	114,00
S 6034	pcs	176,00
PVC handle	pcs	25,00
Basquil lock	pcs	122,00
Hand bolt	pcs	29,00

*Springs are optional accessories. Please note that when choosing a manual drive i.e. lock + spring + handle or spring + handle: the cost of the set is the sum of the individual components.

Note: In the e-FILL system, when selecting the control with a spring, the cost of the handle is automatically added. The lock is an additional option, which must be marked by yourself

Spring selection table:	Roller blind width [mm]		
	Spring type	Range from	Range to
S 4010	410	999	1500
S 4017	710	999	2200
S 4015	1000	1499	2700
S 4025	1500	maks.	2700
S 6012	660	999	2700
S 6018	1000	1699	2700
S 6034	1700	maks.	2500




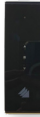



ELECTRIC CONTROL

ELECTRIC CONTROL BRAUKTER

Drive - brand BRAUKTER	Pipe winding	Min. Roller blind width / gates [mm]		Maximum area of the roller shutter/gate [m2].						Price	
		ø	ALU	SKT	PA 39	PA 43	PA 52	PA 55	PA 77		PE 41
Wired mechanical limiters control: switch											
GM35S - 10/17	40	580	620	4	4						166,00
GM45S - 10/15	60	655	670	6	6	6	4				172,00
GM35S - 20/15	60	655	670		9				3		175,00
GM35S - 40/15	60	725	740						7	4	201,00
GM35SD - 10/17 short	40	480	505	4	4						199,00
GM45SD - 10/15 short	60	405	430	6	6	6	4				219,00
Hard-wired with overload electronic limiters control: switch											
TM35B - 10/17	40	675	710	4	4	4					275,00
TM45B - 20/15	60	700	715	6	9	8	9				355,00
Radio mechanical limiters control: radio											
GM35R - 10/17	40	665	700	4	4	4					237,00
GM45R - 20/15	60	795	810		9	8	9		3		244,00
Radio with overload electronic limiters control: radio											
TM35E - 10/17	40	675	710	4	4	4					355,00
TM45E - 20/15	60	820	835	6	9	8	9				410,00
TM35EW - 10/17	40	675	710	4	4	4					410,00
TM45EW - 20/15	60	820	835	6	9	8	9				450,00

ELECTRIC CONTROL

ACCESSORIES BRAUKTER

	Photo	Unit	Price
Portable remote control GC6002-1 [1-channel]		pcs	78,00
Portable remote control BR2000-01A [1-channel]		pcs	78,00
Portable remote control BR2000-15A [15-channel]		pcs	110,00
RE07-1A [1-channel]		pcs	125,00
RE07-15A [15-channel]		pcs	145,00
RE07-1 [1-channel]		pcs	125,00
RE07-15 [15-channel]		pcs	145,00

WARRANTY

» Braukter drives - 5 years

» ACCESSORIES Braukter - 2 years

Effective from 01/08/2023.

ELECTRIC CONTROL

ELECTRIC CONTROL ALUPROF

Drive - brand ALUPROF	Pipe winding	Min. Roller blind width / gates [mm]		Maximum area of the roller shutter/gate [m2].							Price
		ø	ALU	SKT	PA 39	PA 43	PA 52	PA 55	PA 77	PE 41	
Wired mechanical limiters control: switch											
ALUPROF - 10/17	40	580	620	4	4	4					195,00
DM45S - 10/15	60	655	670	6	6	6	4				209,00
ALUPROF - 20/17	60	655	670		9	8	9		3		254,00
DM45S - 40/15	60	725	740				9,5		7	4	293,00
DM35SD - 10/17 short	40	480	505	4	4	4	4				300,00
DM45SD - 10/15 short	60	405	430	6	6	6	4				305,00
Hard-wired with overload electronic limiters control: switch											
DM35BD - 10/17	40	675	710	4	4	4					322,00
DM45BD - 10/15	60	700	715	6	6	6	4				339,00
DM45BD - 20/15	60	700	715		9	8	9		3		384,00
DM45BD - 40/12	60	870	885				9,5		7	4	423,00
Wired with emergency opening mechanical stops control: switch											
DM45M - 20/15 NHK	60	785	-				9		3		521,00
DM45M - 20/15 NHK	70		-					5			521,00
DM45M - 40/15 NHK	60	785	-				9,5		7	4	617,00
DM45M - 40/15 NHK	70		-					10			617,00
DM55M - 60/12 NHK	70	790	-					14	8,5	8,5	740,00
DM55M - 80/12 NHK	70	810	-					15		10	805,00
DM55M - 100/10 NHK	70	810	-							12	863,00
Radio mechanical limiters control: radio											
DM35R - 10/17	40	665	700	4	4	4					326,00
DM45R - 10/15	60	690	690	6	6	6	4				339,00
DM45R - 20/15	60	795	810		9	8	9		3		384,00
DM45R - 40/15	60	825	840				9,5		7	4	424,00
Radio with overload electronic limiters control: radio / switch											
DM35E - 10/17	40	675	710	4	4	4					455,00
DM45E - 10/15	60	690	715	6	6	6	4				466,00
DM45E - 20/15	60	820	835		9	8	9		3		513,00
DM45E - 40/15	60	870	885				9,5		7	4	553,00

 - Drive requires locking hangers

ELECTRIC CONTROL








ELECTRIC CONTROL ALUPROF

Wired with emergency opening
mechanical limiters | control: radio

DM45RM - 20/15 NHK	60	955	-	9	3		630,00	
DM45RM - 20/15 NHK	70		-		5		630,00	
DM45RM - 40/15 NHK	70	955	-	9,5	10	7	4	740,00
DM55RM - 60/12 NHK	70	990	-		14	8,5	8,5	927,00
DM55RM - 80/12 NHK	70	1010	-		15		10	988,00
DM55RM - 100/10 NHK	70	1010	-				12	1065,00

ACCESSORIES ALUPROF

Requests for quotations for accessories not listed in the price list should be addressed to the Sales Department.

		Unit	Price
Remote control DC305, 1-channel		pcs	111,00
Remote control DC306, 5-channel		pcs	130,00
Remote control DC313, 15-channel		pcs	144,00
Remote control DC920 timer, 5-channel		pcs	164,00
Remote control ARTISTIC, timer, 15-channel		pcs	573,00
Remote control DC289, 15-channel		pcs	135,00
Remote control DC1600, 1-channel		pcs	144,00


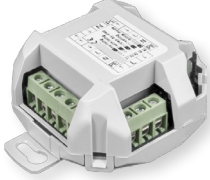



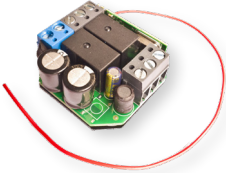
ELECTRIC CONTROL

ELECTRIC CONTROL ALUPROF

	Photo	Unit	Price
Remote control DC1602, 15-channel		pcs	182,00
Wall-mounted transmitter DC1670, 1-channel		pcs	130,00
Wall-mounted transmitter DC1671, 2-channel		pcs	144,00
Wall-mounted transmitter DC1673, 15-channel		pcs	170,00
Wall-mounted transmitter DC1675, timer, 1-channel		pcs	196,00
Wall-mounted transmitter DC1676, timer, 5-channel		pcs	209,00
Wall-mounted transmitter DC315, 1-channel		pcs	105,00
Wall-mounted transmitter DC448 timer, 5-channel		pcs	164,00
Wall-mounted transmitter DC661 timer, 5-channel		pcs	164,00
Flush-mounted switch with integrated radio DC318, 1-channel		pcs	222,00

ELECTRIC CONTROL

ELECTRIC CONTROL ALUPROF





	Photo	Unit	Price
ZenPro repeater (signal amplifier)		pcs	436,00
Relay R15/G (for group control with central switch)		pcs	243,00
Relay R3 (Group control of up to 3 shutters on a single switch)		pcs	400,00
Shuttle Relay MR-2		pcs	141,00
Radio control panel DC73A (mounted in the shutter box)		pcs	286,00
Radio control panel flush-mounted ALRSP01 (under the key switch)		pcs	195,00

ELECTRIC CONTROL YOODA

	Photo	Unit	Price
Central Smart Home 3 [white, black]		pcs	1330,00zł/pcs.

ELECTRIC CONTROL

ELECTRIC CONTROL INEL










Drive - brand INEL	Pipe winding	Min. Roller blind width / gates [mm]		Maximum area of the roller shutter/gate [m2].							Price
		ø	ALU	SKT	PA 39	PA 43	PA 52	PA 55	PA 77	PE 41	
Wired mechanical limiters control: switch											
N-10 YYGL35S-10/17	40	540	580	4	4	4					170,00
N-13 YYGL35S-13/14	40	540	580					6			233,00
N-20 YYGL45S-20/15	60	622	637	6	9	8	9		3		220,00
N-40 YYGL45S-40/15	60	719	734						7	4	320,00
N-6SH YGL35SH-6/17 short	40	470	495	3,5	3,5	3,5					214,00
 Hard-wired with overload Plug&Play electronic limit switches control: switch											
N-10P YYGL35P-10/17	40	660	705	4	4	4					376,00
N-20P YYGL45P-20/15	60	720	735	6	9	8	9		3		405,00
 Wired with obstacle detection electronic limiters control: switch											
N-10E YYGL35E-10/17	40	660	705	4	4	4					402,00
N-20E YYGL45E-20/15	60	720	735	6	9	8	9				432,00
Wired with emergency opening mechanical stops control: switch											
N-50NHK YYGL45M-50/12	60	760	-				9,5	12	8	6	452,00
N-50NHK YYGL45M-50/12	70	760	-					12	8	6	452,00
N-100NHK YYGL59M- 100/12	70	860	-							12	884,00
N-140NHK YYGL59M- 140/9	70	860	-							15	970,00
Radio mechanical limiters control: radio											
N-10R YYGL35R-10/17	40	620	650	4	4	4					362,00
N-20R YYGL45R-20/15	60	660	670	6	9	8	9		3		376,00
N-40R YYGL45R-40/15	60	725	740					9,5	7	4	471,00
 Radio with overload Plug&Play electronic limiters control: radio / switch											
N-10PR YYGL35PR-10/17	40	620	660	4	4	4					402,00
N-20PR YYGL45PR-20/15	60	720	740	6	9	8	9		3		431,00
 Wired with obstacle detection electronic limiters control: radio / switch											
N-10RE YYGL35RE-10/17	40	620	660	4	4	4					431,00
N-20RE YYGL45RE-20/15	60	720	735	6	9	8	9		3		459,00
Wired with emergency opening Mechanical limiters, built-in radio receiver											
N-50R NHK YYGL45R- 50/12	60	890	-				9,5	12	8	6	680,00
N-50R NHK YYGL45R- 50/12	70	890	-					12	8	6	680,00

 - Drive requires locking hangers

ELECTRIC CONTROL

ACCESSORIES INEL

Requests for quotations for accessories not listed in the price list should be addressed to the Sales Department.

Remote controly przenośne: seria PM	Photo	Unit	Price
Remote control 1-channel PIL-01PM		pcs	110,00
Remote control 5-channel PIL-05PM		pcs	138,00
Remote control 9-channel PIL-09PM		pcs	167,00
Remote control 19-channel PIL-19PM		pcs	194,00
Remote control 19-channel with timer PIL-19PMT		pcs	338,00
Remote control 99-channel with timer PIL-99PMT		pcs	394,00
Remote controly przenośne: seria DL			
Remote control 1-channel PIL-01DL		pcs	121,00
Remote control 5-channel PIL-05DL		pcs	161,00
Remote control 9-channel PIL-09DL		pcs	189,00

ELECTRIC CONTROL

ACCESSORIES INEL

	Photo	Unit	Price
Remote control 19-channel PIL-19DL		pcs	216,00
Remote control 19-channel with timer PIL-19DLT		pcs	394,00
Remote control 99-channel with timer PIL-99DLT		pcs	450,00
Remote controly portable: MMT series (color display)			
Remote control 19-channel with timer PIL-19MMT		pcs	450,00
Remote control 99-channelwith timer PIL-99MMT		pcs	506,00
Remote controly wall-mounted: NS series			
Remote control 1-channel wall mounted with touch panel PIL-01NS, white frame (panel colors: white, anthracite, silver)		pcs	155,00
Remote control 4-channel wall mounted with touch panel PIL-04NS, white frame (panel colors: white, anthracite, silver)		pcs	183,00

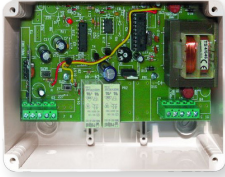
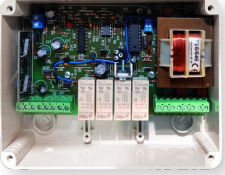
ELECTRIC CONTROL

ACCESSORIES INEL

Remote controly brelokowe	Photo	Unit	Price
Remote control 2-channel PIL-02XB (does not work with RE series drives)		pcs	85,00
Remote control 2-channel PIL-02XB-RE (dedicated to RE series drives)		pcs	85,00
Remote control 4-channel PIL-04XB (does not work with RE series drives)		pcs	99,00
Other accessories			
Flush-mounted controller, radio ST-01R		pcs	169,00
External controller, radio ST-01RL (mounted in the side of boxes)		pcs	169,00
Flush-mounted controller, radio with touch panel ST-01RN		pcs	279,00
Individual controller ST-0P (for group control)		pcs	141,00
Central Internet INELnet		pcs	953,00
Mounting cable		pcs	164,00




ELECTRIC CONTROL

ACCESSORIES INEL

Other accessories	Photo	Unit	Price
Signal retransmitter		pcs	516,00
CRS-435XG: single channel control panel with possibility to connect security devices and manual switch (2 Remote controly PIL-02XB included)		pcs	394,00
CRS-436XG: two-channel control panel with possibility to connect security devices and manual switches (2 Remote controly PIL-02XB included)		pcs	506,00

ELECTRIC CONTROL

ELECTRIC CONTROL MOBILUS

Drive - brand MOBILUS	Pipe winding	Min. Roller blind width / gates [mm]		Maximum area of the roller shutter/gate [m2].							Price
		ø	ALU	SKT	PA 39	PA 43	PA 52	PA 55	PA 77	PE 41	
Wired mechanical limiters control: switch											
M35 M 3/14K	40	510	535	3	3	3					269,00
M35 M 10/14	40	610	655	4	4	4					186,00
M45 M 15/17	60	510	530	6	9	8	7				234,00
M45 M 25/17	60	725	740				9,5		4		243,00
M45 M 50/12	60	840	-						8	6	460,00
M45 M 50/12	60	980	-						8	6	460,00
 Hard-wired with overload electronic limiters control: switch											
M35 EP 10/14	40	610	655	4	4	4					337,00
M45 EP 15/17	60	510	530	6	9	8	7				367,00
M45 EP 25/17	60	725	740				9,5		4		376,00
 Wired with obstacle detection electronic limiters control: radio / switch											
M35 ERS 10/14	40	620	635	4	4	4					392,00
M45 ERS 15/17	60	585	600	6	9	8	7				443,00
M45 ERS 25/17	60	725	740				9,5		4		470,00
Wired with emergency opening mechanical stops control: switch											
M45 M 15/17 NHK	60	890	-				7				420,00
M45 M 25/17 NHK	60	890	-				9,5		4		460,00
M45 M 25/17 NHK	70	1030	-					6			460,00
M45 M 35/13 NHK	60	1030	-						6		520,00
M45 M 35/13 NHK	70	1030	-					9			520,00
M45 M 50/12 NHK	60	1030	-						8	6	540,00
M45 M 50/12 NHK	70	1030	-					12			540,00
M59 M 80/12 NHK	60	1130	-						8,5	10	900,00
M59 M 80/12 NHK	70	1130	-					15			900,00
 Radio with overload electronic limiters control: radio											
M35 MR 10/14	40	675	690	4	4	4					300,00
M45 MR 15/17	60	620	640	6	9	8	7				322,00
M45 MR 25/17	60	735	750				9,5		4		346,00
M45 MR 50/12	60	735	750						8	6	460,00

 - Drive requires locking hangers

ELECTRIC CONTROL

ELECTRIC CONTROL MOBILUS



Plug&Play wired with overload
Plug&Play electronic limit switches | control: switch

M35 PR 5/14K	40	520	545	3	3	3			378,00	
M35 PR 10/14	40	610	655	4	4	4			326,00	
M45 PR 10/17	60	510	530	6	9	8	7		343,00	
M45 PR 15/17	60	725	740					9,5	4	352,00






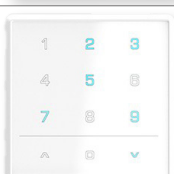



- Drive requires locking hangers

Note: For ERS series drives, no interlock hangers means no overload function. The motor will only have an obstacle detection function.




ACCESSORIES MOBILUS

Requests for quotations for accessories not listed in the price list should be addressed to the Sales Department.

	Photo	Unit	Price
COSMO HM - Remote control 99-channel (color white)		pcs	274,00
COSMO HM3+ - 4-channel remote control (white or black color)		pcs	116,00
COSMO HB Lite - Portable remote control touch 99-channel (color white)		pcs	240,00
COSMO HCT - Portable remote control 24-channel with automatic timer and color display (color white lub black)		pcs	532,00
COSMO WT Lite - Remote control wall-mounted 1-channel touch, gesture control (color white)		pcs	233,00
COSMO WT9 Lite - Remote control wall-mounted touch 9-channel, gesture control (color white)		pcs	257,00
COSMO LI - Remote control wall-mounted 1-channel (color white)		pcs	157,00

ELECTRIC CONTROL

ELECTRIC CONTROL MOBILUS

	Photo	Unit	Price
COSMO L5 - Remote control wall-mounted 5-channel (color white)		pcs	178,00
COSMO G3+ - Portable remote control mini 4-channel (color white lub black)		pcs	137,00
ROJAL S - time controller with display, weekly program (color white)		pcs	429,00
DZU - individual controller, system DZU (for group control)		pcs	187,00
MOBILUS C-MR - radio remote control receiver for wired drives		pcs	180,00
MOBILUS C-MR-BT - Apple HomeKit radio control receiver		pcs	315,00
MOBILUS C-MR IP - radio control receiver for installation in the roller shutter box		pcs	180,00
MOBILUS C-AR - radio remote control transmitter that works with alarm control panels		pcs	304,00
Central GTW		pcs	699,00
COSMO HM1—Portable remote control 1-kan		pcs	140,00

ELECTRIC CONTROL

ELECTRIC CONTROL SIMU



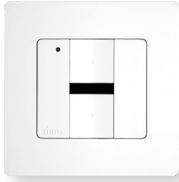





Drive - brand SIMU	Pipe winding	Min. Roller blind width / gates [mm]		Maximum area of the roller shutter/gate [m2].						Price	
		ALU	SKT	PA 39	PA 43	PA 52	PA 55	PA 77	PE 41		PE 55
	∅										zł/pcs
Wired mechanical limiters control: switch											
T5 JOB 8/17	60	570	600	4	4	4					408,00
T5 JOB 10/17	60	700	715	6	6	6	4				448,00
T5 JOB 15/17	60	720	735		9	8	7				488,00
Wired with obstacle and icing detection and ARMOR loosening in end positions Plug&Play electronic limit switches control: switch											
T5 AUTO + JOB 6/17	60	570	600	3,5	3,5	3,5					583,00
T5 AUTPO + JOB 10/17	60	700	715	6	6	6	4				649,00
T5 AUTO + JOB 15/17	60	720	735		9	8	7				702,00
T5 AUTO + SHORT 6/17	60	430	460	3,5	3,5	3,5					865,00
Radio with overload electronic limiters control: radio											
T5 AUTO Hz 8/17	60	705	720	4	4	4					813,00
T5 AUTO Hz 10/17	60	705	720	6	6	6	4				854,00
T5 AUTO Hz 15/17	60	800	815		9	8	7				892,00
T5 AUTO Hz 20/17	60	800	815				9		3		951,00
T5 AUTO SHORT Hz 6/17	60	430	460	3,5	3,5	3,5					1127,00
Radio with obstacle and ice detection and feedback electronic limiters control: radio											
T5 EBHz 8/17	60	705	720	4	4	4					954,00
T5 EBHz 10/17	60	705	720	6	6	6	4				978,00
T5 EBHz 15/17	60	800	815		9	8	7				1056,00
T5 AUTO SHORT BHz 6/17	60	450	480	3,5	3,5	3,5					1091,00
Solar sets electronic limiters control: radio											
Set AUTOSUN II T3.5 Ehz 6/18	40	550	580	3,5	3,5	3,5					1946,00
Set AUTOSUN II T3.5 Ehz 10/12	40	550	580	4	4	4					1978,00
Set AUTOSUN II T3.5 Ehz 10/12	60	550	580	6	6	6	4				1978,00

 - Drive requires locking hangers

ELECTRIC CONTROL

ACCESSORIES SIMU

Requests for quotations for accessories not listed in the price list should be addressed to the Sales Department.

Remote controly przenośne: seria PM	Photo	Unit	Price
Portable transmitter BHz [1-channel]		pcs	207,00
Portable transmitter BHz [5-channel]		pcs	342,00
Wall-mounted transmitter BHz [1-channel]		pcs	226,00
Portable transmitter Hz [1-channel]		pcs	191,00
Portable transmitter Hz [5-channel]		pcs	310,00
Portable transmitter Hz [16-channel]		pcs	652,00
Wall-mounted transmitter Hz [1-channel]		pcs	217,00
Wall-mounted transmitter Hz [5-channel]		pcs	342,00

ELECTRIC CONTROL

ELECTRIC CONTROL SOMFY

Drive - brand SOMFY	Pipe winding ∅	Min. Roller blind width / gates [mm]		Maximum area of the roller shutter/gate [m2].							Price zł/pcs
		ALU	SKT	PA 39	PA 43	PA 52	PA 55	PA 77	PE 41	PE 55	
Wired mechanical limiters control: switch											
SOLUS 2 PA 6/12	60	570	600	3,5	3,5	3,5					566,00
SOLUS 2 PA 10/12	60	700	715	6	6	6	4				602,00
SOLUS 2 PA 15/12	60	720	735		9	8	7				649,00
SOLUS 2 PA 20/12	60	720	735				9		3		730,00
SOLUS 2 PA 30/12	60	750	-				9,5		5		860,00
Hard-wired with overload Plug&Play electronic limit switches control: switch											
ILMO 2 50 WT 6/17	60	570	600	3,5	3,5	3,5					622,00
ILMO 2 50 WT 10/17	60	700	715	6	6	6	4				701,00
ILMO 2 50 WT 15/17	60	720	735		9	8	7				752,00
ILMO 2 50 WT 20/17	60	850	865				9		3		950,00
ILMO 50 S WT 6/17 short	60	430	460	3,5	3,5	3,5					992,00
SOLUS P&P 6/17 VVF	60	570	600	3,5	3,5	3,5					575,00
SOLUS P&P 10/17 VVF	60	700	715	6	6	6	4				625,00
SOLUS P&P 15/17 VVF	60	720	735		9	8	7				707,00
Wired with emergency opening electronic limiters control: switch											
LT 50 Jet - 10/17 NHK	60	770	-				4				1060,00
LT 50 Jet - 10/17 NHK	70	710	-				4				1060,00
LT 50 Meteor - 20/17 NHK	60	760	-				9	5	3		1230,00
LT 50 Meteor - 20/17 NHK	70	820	-				9	5	3		1207,00
LT 50 Gemini 25/17 NHK	70	760	-				9,5	6	4		1286,00
LT 50 Mariner 40/17 NHK	70	830	-					10	7	4	1494,00
LT 50 Vectran 50/12 NHK	70	760	-					12	8	6	1505,00
LT 60 Vega 60/12 NHK	70	830	-					14	8,5	8,5	1667,00
LT 60 Sirius 80/12 NHK	70	1000	-					15		10	1812,00
LT 60 Titan 100/12 NHK	70	1000	-							12	1959,00
LT 60 Taurus 120/12 NHK	70	1000	-							15	2375,00
Hard-wired with overload and emergency opening electronic limiters control: switch											
ILMO 2 50 WT 10/17 NHK	60	805	820	6	6	6	4				1178,00
ILMO 2 50 WT 20/17 NHK	60	830	845		9	8	7				1331,00

 - Drive requires locking hangers

ELECTRIC CONTROL

ELECTRIC CONTROL SOMFY

Radio electronic limiters | control: radio

ALTUS 50 RTS 6/17	60	690	690	3,5	3,5	3,5				1069,00
ALTUS 50 RTS 10/17	60	800	815	6	6	6	4			1187,00
ALTUS 50 RTS 15/17	60	800	815			9	8	7		1304,00
ALTUS 50 RTS 20/12	60	850	865					9	3	1092,00
ALTUS 50 RTS 30/12	60	870	-					9,5	5	1177,00

Radio with RTS overload electronic limiters | control: radio

OXIMO RTS 6/17	60	650	650	3,5	3,5	3,5				965,00
OXIMO RTS 10/17	60	850	865	6	6	6	4			1054,00
OXIMO RTS 15/17	60	850	865			9	8	7		1118,00
OXIMO RTS 20/17	60	850	865					9	3	1215,00
OXIMO RTS 30/17	60	870	-						5	1377,00
OXIMO 50 S AUTO RTS 6/17 short	60	430	460	3,5	3,5	3,5				1115,00



Radio with overload io electronic limiters | control: radio

OXIMO 50 io 6/17	60	650	650	3,5	3,5	3,5				908,00
OXIMO 50 io 10/17	60	850	865	6	6	6	4			992,00
OXIMO 50 io 15/17	60	850	865			9	8	7		1052,00
OXIMO 50 io 20/17	60	850	865					9	3	1203,00
OXIMO S AUTO io 6/17 short	60	430	460	3,5	3,5	3,5				1048,00
RS 100 io 6/17	60	540	575	3,5	3,5	3,5				921,00
RS 100 io 10/17	60	850	865	6	6	6	4			1019,00
RS 100 io 15/17	60	850	865			9	8	7		1077,00
RS 100 io 20/17	60	850	865					9	3	1191,00



Radio with overload, hybrid io electronic limiters | control: radio / switch

RS 100 io WT HYBRID 6/17	60	540	575	3,5	3,5	3,5				973,00
RS 100 io WT HYBRID 10/17	60	850	865	6	6	6	4			1048,00
RS 100 io WT HYBRID 15/17	60	850	865			9	8	7		1110,00
RS 100 io WT HYBRID 20/17	60	850	865					9	3	1223,00

Radio with emergency opening

LT 50 Jet 10/17 NHK RTS 2	60	940	-					4		1573,00
LT 50 Jet 10/17 NHK RTS 2	70	1000	-					4		1573,00
LT 50 Meteor 20/17 NHK RTS 2	60	940	-					9	3	1715,00
LT 50 Meteor 20/17 NHK RTS 2	70	1000	-					9	5	1715,00
LT 50 Apollo 30/17 NHK RTS 2	70	940	-					9,5	7,5	1838,00
LT 50 Mariner 40/12 NHK RTS 2	70	940	-					10	7	1883,00
LT 50 Vectran 50/12 NHK RTS 2	70	940	-					12	8	2016,00

-io-homecontrol@ technology

-Drive requires locking hangers

ELECTRIC CONTROL

ELECTRIC CONTROL SOMFY


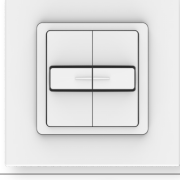

Solar sets
Electronic limiters, built-in radio receiver

OXIMO 40 WireFree RTS II 6/18	40	550	580	3,5	3,5	3,5	2689,00
OXIMO SOLAR IO 6/18 [set]	40	550	610	3,5	3,5	3,5	2743,00
OXIMO SOLAR IO 10/12 [set]	40	550	610	4	4	4	2825,00

*OXIMO 40 WireFree RTS II 6/18 – while stocks last

ACCESSORIES SOMFY

Requests for quotations for accessories not listed in the price list should be addressed to the Sales Department.

	Photo	Unit	Price
Switch Smoove UNO WT, flush-mounted (with support)		pcs	96,00
Switch Smoove DUO WT, flush-mounted (with support)		pcs	137,00
Switch Smoove UNO WT, surface-mounted (with support)		pcs	133,00
Switch Smoove DUO WT, surface-mounted (with support)		pcs	174,00
Switch key pulse Somfy		pcs	176,00
Switch key pulse surface-mounted Somfy		pcs	230,00
Chronis Smoove IB+ Pure timer with Pure frame		pcs	60,00











ELECTRIC CONTROL

ELECTRIC CONTROL SOMFY

	Photo	Unit	Price
Switch central Smoove Origin IB+		pcs	212,00
Switch Smoove UNO IB+ Pure with frame		pcs	445,00
Miniature receiver for roller shutters RTS (under the key switch)		pcs	529,00
Remote control wall Smoove Origin RTS		pcs	235,00
Chronis IO		pcs	733,00
Chronis Smoove Uno Pure + frame		-	WYCOFANE
Portable remote control Situo 1 RTS II Pure		pcs	242,00
Portable remote control Situo 1 RTS II Natural, Iron, Arctic		pcs	349,00
Portable remote control Situo 5 RTS II Pure		pcs	384,00
Portable remote control Situo 5 RTS II Natural, Iron, Arctic		pcs	455,00

ELECTRIC CONTROL

ELECTRIC CONTROL SOMFY

	Photo	Unit	Price
Portable remote control Telis 16 Pure RTS		pcs	909,00
Portable remote control Telis 6 Chronis Pure RTS		pcs	1 015,00
Portable remote control Keytis 2NS, 2-channel		pcs	123,00
Portable remote control Keytis 4NS, 4-channel		pcs	158,00
Centralis Platine RTS (receiver RTS do boxes)		pcs	589,00
Group controller TR-2/ GR-2 for two actuators p/t		pcs	318,00
Universal receiver RTS (impulse)		pcs	294,00
Somfigurator type 1: does not work with RS100 io Hybrid drives		pcs	455,00
Somfigurator type 2: integrated with RS100 io Hybrid drives		pcs	475,00
ROLLIXO RTS + 2 Remote controly Keygo RTS		pcs	1 288,00




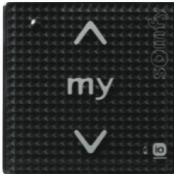






ELECTRIC CONTROL

ELECTRIC CONTROL SOMFY

	Photo	Unit	Price
ROLIXO IO + 2 Remote controly Keygo io		pcs	1 516,00
TaHoma® Switch – new central Unit sterująca IO		pcs	1 047,00
NiNa Centralization (individual and group control)		pcs	1 197,00
NiNaTimer (individual, group and timer control)		pcs	1 250,00
Remote control wall-mounted Smoove Origin io with Pure* frame		pcs	238,00
Remote control wall-mounted Smoove Origin 2 io with Pure frame		pcs	332,00
Remote control wall-mounted Smoove Origin 4 io with Pure frame		pcs	415,00
Remote control wall-mounted Smoove RS100 io with Pure* frame		pcs	325,00
Portable remote control Situo 1-channel io II Pure		pcs	223,00
Portable remote control Situo 1-channel io II Natural, Iron, Arctic		pcs	330,00




ELECTRIC CONTROL

ELECTRIC CONTROL SOMFY

	Photo	Unit	Price
Situo 5-channel portable remote control io II Pure		pcs	351,00
Situo portable remote control 5-channel io II Natural, Iron, Arctic		pcs	419,00
Smoove 1 io Pure Shine (without frame)		pcs	281,00
Smoove 1 io Black Shine (without frame)		pcs	315,00
Smoove 1 io Silver Shine (without frame)		pcs	315,00
Smoove Pure frame		pcs	19,00
Smoove Black frame		pcs	52,00
Withoutel Smoove Silver mat		pcs	52,00
Withoutel Smoove Amber bamboo		pcs	134,00
Frame Smoove Light bamboo		pcs	134,00

ELECTRIC CONTROL

ELECTRIC CONTROL SOMFY

	Photo	Unit	Price
Frame Smoove Walnut		pcs	134,00
Frame Smoove Pure (double)		pcs	29,00
Set&Go io - commissioning instrument for io installation		pcs	995,00

UNIVERSAL ACCESSORIES

	Unit	Price
Key switch surface-mounted PKL nt	pcs	236,00
Flush-mounted key switch PKL pt	pcs	236,00
Key switch surface-mounted PKL IMP nt	pcs	236,00
Flush-mounted key switch flush-mounted PKL IMP pt	pcs	236,00
Extension of the cable in the drive up to 5 mb	pcs	37,00
Additional cable for the drive (in case of extension > 5mb)	mb	6,00
ARIA key switch without hold, with frame - color white	pcs	35,00
ARIA key switch without hold, with frame - color grey mat	pcs	54,00
ARIA key switch without support, with frame - color black metallic	pcs	54,00
Key switch ARIA with support, with frame - color white	pcs	48,00
Key switch ARIA with support, with frame - color grey mat	pcs	66,00
Key switch ARIA with support, with frame - color black metallic	pcs	66,00
Key switch bell switch ARIA - color white	pcs	29,00
Bell pushbutton switch ARIA - color grey mat	pcs	47,00
Key switch bell switch ARIA - color black metallic	pcs	47,00
Surface mounted box - color white	pcs	10,00
Surface box - color grey mat	pcs	15,00
Surface box - color black metallic	pcs	15,00
Frame double ARIA - color white	pcs	9,00
Frame double ARIA - color grey mat	pcs	14,00
Frame double ARIA - color black metallic	pcs	14,00
Frame triple ARIA - color white	pcs	14,00
Frame triple ARIA - color grey mat	pcs	17,00
Frame triple ARIA - color black metallic	pcs	17,00

ADDITIONAL INFORMATION

ASSIGNMENT OF CLASSES OF RESISTANCE TO WIND LOAD

WIND LOAD ACCORDING TO STANDARD PN-EN 13659

In order to ensure proper, trouble-free and safe operation of rolling shutters, it is necessary to assign appropriate classes of wind load resistance of individual roller shutter Profilees to wind load zones. Appropriate maps and tables have been prepared to facilitate the assignment of appropriate roller shutter Profilees to wind load zones in Poland.

Site categories

0	Sea and coastal obgrey exposed to the open sea
I	Lakes or flat, horizontal areas with negligible vegetation and no terrain obstacles
II	Areas with low vegetation, such as grass, and with single obstacles (trees, buildings) at a distance equal to at least their 20 heights
III	Areas regularly covered with vegetation or buildings or with single obstacles at most a distance equal to their 20 heights (such as villages, suburban areas, permanent forests)
IV	Areas with at least 15% of their surface covered by buildings with an average height of more than 15 m

Map of wind load zones in Poland



Characteristic wind speeds (EN 1991-1-4)

Wind zone	$V_{b,0}$ (m/s)
1	22
2	26
3	22

Assignment of wind load resistance classes to wind load zones in Poland.

Criteria	Height of installation of blinds on the building														
	up to 9 m			From 9 up to 18 m			From 18 up to 28 m			From 28 up to 50 m			From 50 up to 100 m		
	Wind zone			Wind zone			Wind zone			Wind zone			Wind zone		
Cat. Terrain	1	2	3	1	2	3	1	2	3	1	2	3	1	2	3
IV	1	2	1	2	3	2	2	3	2	3	4	3	3	4	3
III	2	3	2	3	3	3	3	4	3	3	4	3	4	4	4
II	3	3	3	3	4	3	3	4	3	4	4	4	4	5	4
I	3	4	3	4	4	4	4	4	4	4	4	4	4	5	4
0	3	4	3	4	4	4	4	4	4	4	5	4	4	5	4

The table given applies to areas up to 300 m above sea level and the installation of blinds at a height of up to 100 m. Other cases should be considered individually.

Wind load resistance classes

Class	0	1	2	3	4	5	6
Nominal test pressure p (N/m ²)	< 50	50	70	100	170	270	400
Safe test pressure $1.5 p$ (N/m ²)	< 75	75	100	150	250	400	600

Taking into account the wind pressure zone and the selected terrain category, we can read the wind load resistance class of roller shutter Profilees. Having the readout class, we can select the appropriate Profilee and drive using the tables of wind load resistance classes according to PN-EN 13659 standard.

ADDITIONAL INFORMATION

MAXIMUM WIDTHS OF ROLLER SHUTTERS ACCORDING TO WIND RESISTANCE CLASSES

WINDOW CLASSES LA32

Wind load resistance classes according to EN 13659	Maximum Roller blind width with guides (mm)		
	PP53, PPD79 PPMO53, PPDMO53	PP68	PPD60/12, PPD-P60/12, PPDA60/12, PPDA-P60/12 PPMO60/12
1	-	-	≤ 3300
2	≤ 3500	≤ 3500	≤ 3000
3	≤ 3100	≤ 3200	≤ 2600
4	≤ 2700	≤ 2800	≤ 2200
5	≤ 2300	≤ 2400	-
6	≤ 1900	≤ 2000	-

Profile PA 39

Wind load resistance classes according to EN 13659	Maximum Roller blind width with guides (mm)			
	PP45	PU29, PUH29, PP53, PP53/ODS, PP53/ODS/20, PK53, PPMO53, PPDO53, PPD79, PPD79/ODS, PPD79/ODS/20, PPDMO79, PPDO79	PP68	PPD60/12, PP-P60/12, PPDA60/12, PPDA-P60/12, PPA35/12, PP60/12, PPMO60/12, PPDAMWP60/12, PPDAMW60/12 PPDM60/12
1	≤ 2700	≤ 3200	≤ 3900	≤ 3300
2	≤ 2500	≤ 2900	≤ 3400	≤ 3000
3	≤ 2300	≤ 2500	≤ 2900	≤ 2600
4	≤ 1900	≤ 2100	≤ 2300	≤ 2200
5	≤ 1600	≤ 1800	≤ 2000	-
6	≤ 1500	≤ 1600	≤ 1900	-

Profile PA 43

Wind load resistance classes according to EN 13659	Maximum Roller blind width with guides (mm)			
	PP45	PU29, PUH29, PP53, PP53/ODS, PP53/ODS/20, PK53, PPMO53, PPDO53, PPD79, PPD79/ODS, PPD79/ODS/20, PPDMO79, PPDO79	PP68	PPD60/12, PP-P60/12, PPDA60/12, PPDA-P60/12, PPA35/12, PP60/12, PPMO60/12, PPDAMWP60/12, PPDAMW60/12 PPDM60/12
1	≤ 2900	≤ 3300	≤ 3900	≤ 3300
2	≤ 2600	≤ 3000	≤ 3400	≤ 3000
3	≤ 2400	≤ 2600	≤ 3000	≤ 2600
4	≤ 2000	≤ 2200	≤ 2400	≤ 2200
5	≤ 1700	≤ 1900	≤ 2100	-
6	≤ 1500	≤ 1600	≤ 1800	-

ADDITIONAL INFORMATION

Profile PA 43

Wind load resistance classes according to EN 13659	Maximum Roller blind width with guides (mm)	
	PU43, PP66	PPD60/17, PPD-P60/17, PPDA60/17, PPDA-P60/17, PPA35/17, PP60/17, PPAM35/17, PPM60/17, PPDM60/17, PPDM-P60/17, PPDMW60/17, PPDMW-P60/17, PPDMO60/17
1	≤ 4600	≤ 3800
2	≤ 3800	≤ 3500
3	≤ 3200	≤ 3100
4	≤ 2700	≤ 2700
5	≤ 2300	≤ 2300
6	≤ 2000	≤ 1900

Profile PA 55

Wind load resistance classes according to EN 13659	Maximum Roller blind width with guides (mm)	
	PU43, PP66	PPD60/17, PPD-P60/17, PPDA60/17, PPDA-P60/17, PPA35/17, PP60/17, PPAM35/17, PPM60/17, PPDM60/17, PPDM-P60/17, PPDMW60/17, PPDMWP60/17, PPDMO60/17
1	≤ 4800	≤ 4200
2	≤ 4700	≤ 3800
3	≤ 3900	≤ 3500
4	≤ 3200	≤ 2900
5	≤ 2800	≤ 2500
6	≤ 2400	≤ 2200

Profile PE 41

Wind load resistance classes according to EN 13659	Maximum Roller blind width with guides (mm)			
	PU29, PP53, PP53/ODS, PP53/ODS/20, PK53, PKMO53, PPDF053, PPD79, PPD79/ODS, PPD79/ODS/20, PPDMO79, PPDO79	PP68	PPW66	PPW66 (RC2)
1	≤ 5300	-	-	-
2	≤ 5200	-	-	-
3	≤ 4800	-	≤ 5900	-
4	≤ 3600	≤ 5900	≤ 5000	-
5	≤ 2900	≤ 5200	≤ 3600	-
6	≤ 2600	≤ 5000	≤ 3000	≤ 2500

Profile PE 55

Wind load resistance classes according to EN 13659	Maximum Roller blind width with guides (mm)		
	PU43, PP66	PPW80	PPW80, PPW90 (RC3)
5	≤ 5900	-	-
6	≤ 5800	≤ 5900	≤ 2800

ADDITIONAL INFORMATION

Profile PA 39 + MKT

Wind load resistance classes according to EN 13659	Maximum Roller blind width with guides (mm)			
	PPDO53	PPDM60/12, PPDM-P60/12, PPAM35/12, PPM60/12	PPDMW60/12, PPDMW-P60/12, PPDAMW60/12, PPDAMW-P60/12	PPMO60/12
1	-	≤ 2000	≤ 2000	≤ 3300
2	-	≤ 2000	≤ 2000	≤ 3000
3	-	≤ 2000	≤ 2000	≤ 2600
4	≤ 2000	≤ 2000	≤ 2000	≤ 2200
5	≤ 1800	-	-	-
6	≤ 1600	-	-	-

Profile PA 43 + MKT

Wind load resistance classes according to EN 13659	Maximum Roller blind width with guides (mm)			
	PPDO53	PPDM60/12, PPDM-P60/12, PPAM35/12, PPM60/12	PPDMW60/12, PPDMW-P60/12, PPDAMW60/12, PPDAMW-P60/12	PPMO60/12
1	-	≤ 2000	≤ 2000	≤ 3300
2	-	≤ 2000	≤ 2000	≤ 3000
3	-	≤ 2000	≤ 2000	≤ 2600
4	≤ 2000	≤ 2000	≤ 2000	≤ 2200
5	≤ 1800	-	-	-
6	≤ 1600	-	-	-

Profile PA 52 + MKT

Wind load resistance classes according to EN 13659	Maximum Roller blind width with guides (mm)		
	PPDM60/17, PPM-P60/17, PPAM35/17, PPM60/17	PPDMW60/17, PPDMW-P60/17	PPMO60/17
1	≤ 2000	≤ 2000	≤ 3800
2	≤ 2000	≤ 2000	≤ 3500
3	≤ 2000	≤ 2000	≤ 3100
4	≤ 2000	≤ 2000	≤ 2700
5	-	-	-
6	-	-	-

Gate Profile PA 55

Wind load resistance classes According to EN 12424	Maximum Roller blind width with guides (mm)
	PP75
1	≤ 3000
2	≤ 2500
3	≤ 1800
4	-

ADDITIONAL INFORMATION

Gate Profile PA 77

Wind load resistance classes According to EN 12424	Maximum Roller blind width with guides (mm)		
	PP89	PP110	PP110Z
1	≤ 4700	≤ 5000	≤ 6000
2	≤ 4000	≤ 4600	≤ 5800
3	≤ 3500	≤ 3800	≤ 4800
4	≤ 3100	≤ 3300	≤ 4000

ADDITIONAL INFORMATION

COLOR SCHEME FOR ALUMINIUM ELEMENTS

Code	Color name	RAL
0	Unpainted	
1	Silver	
2	White	
3	Grey	7038
4	Darkobeige	
5	Beige	
6	Dark wood	
7	Light wood	
8	Dark brown	8019
9	Brown	
11	Yellow	1033
12	Red	3003
13	Green	6005
14	Blue	5005
15	Cream white	9001
16	Ivory	1015
17	Fir green	6009
18	Steel blue	5011
19	Maroon	3005
20	Black	9005
22	Ultra white	9016
23	Anthracite grey	7016
24	Golden oak	
26	Mahogany	
27	Cherry	
28	Walnut	
30	Golden oak	
31	Light grey	
32	Caramel	
33	Basalt grey	7012
34	Quartz grey	7039
35	Concrete grey	7023
36	Venge	
37	Aluminum grey	9007
38	Frost grey	
39	Satin grey	
40	White, pearl matte	9016
41	Light grey, mother of pearl	
42	Grey, pearl matte	
43	Anthracite grey, pearl matte	
44	Dark grey, pearl matte	
52	Winchester	
53	Dark oak	
71	Green Chartwell	
75	Grey metallic	
79	Light oak	

RAL color numbers indicate the colors closest to the actual colors.

ADDITIONAL INFORMATION

COLOUR SCHEME OF SKT SURFACE SYSTEM ELEMENTS

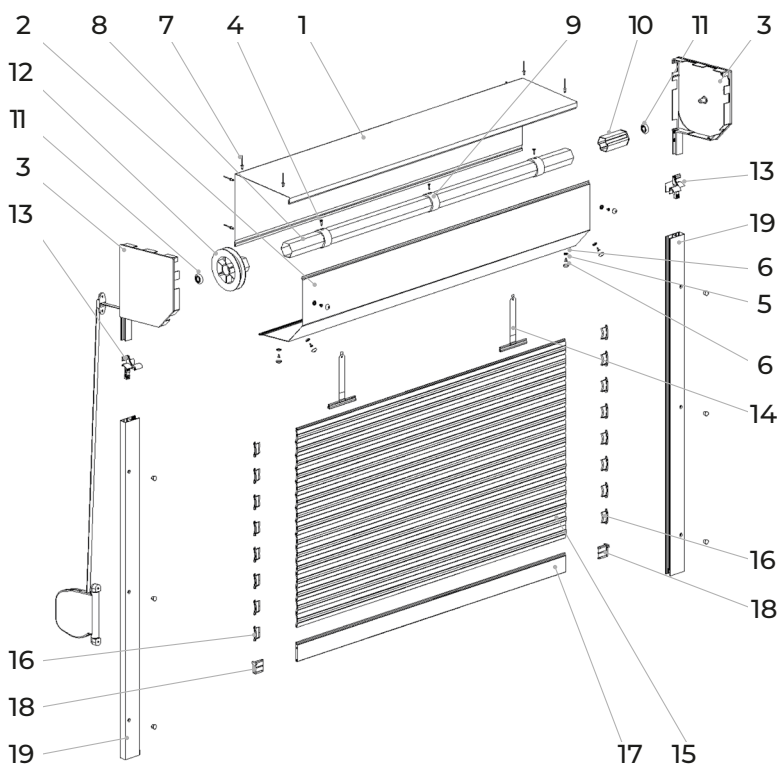
The following table applies to elements such as boxes and GUIDES.

Code	Color	Film name	Code of the foil
2	White		
8	Brown		
23R	Grey anthracite	anthrazitgrau / anthracite gray	LG KDB74
26R	Mahogany	mahogany / mahogany	LG UR602
280R	Walnut	nut / nuss	9.21788007
300R	Golden oak	goldeiche / golden oak	9.2178001
52R	Winchester	winchester / winchester	9.0049240
53R	Dark oak	dunkel eiche / dark oak	9.2052089
25R	Grey anthracite smooth	anthrazitgrau glatt / smooth anthracite gray	701605-083

Colors not listed above are subject to individual pricing. Please contact the sales department.

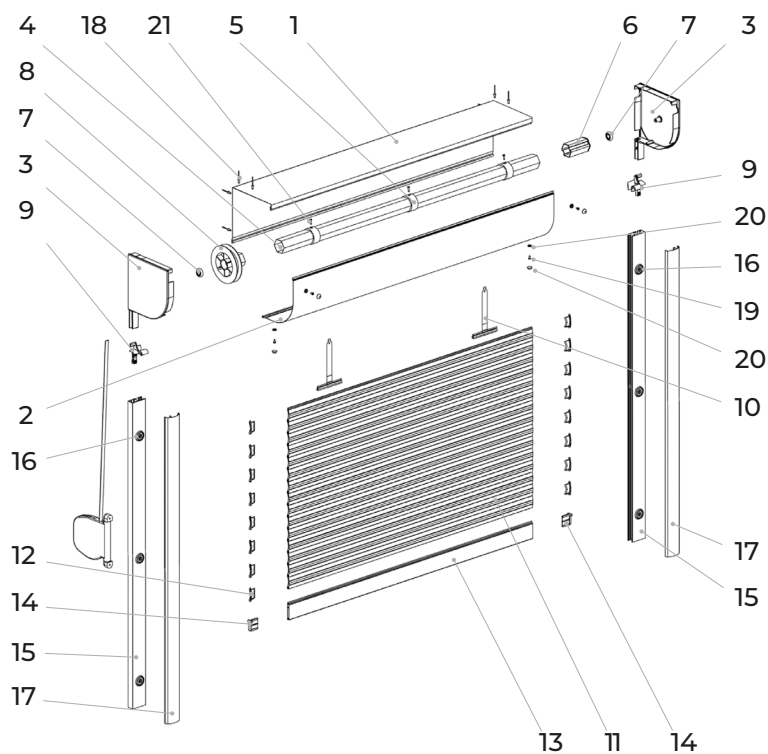
SPECIFICATIONS

EXAMPLE SET OF ELEMENTS IN THE HERA45 / SK45 SYSTEM



- | | |
|-----|---|
| 1. | SK/G - Roller shutter box - top |
| 2. | SK45/D - Roller shutter box 45° - bottom |
| 3. | BS45 - Side cover boxes 45° |
| 4. | Galvanized conical screw |
| 5. | Mounting screw |
| 6. | ZPK 10 - PVC washer with cap |
| 7. | Aluminum rivet |
| 8. | SW - Octagonal tube |
| 9. | PZ - Increasing ring |
| 10. | OBS - Mounting bracket |
| 11. | LO 28 - Bearing |
| 12. | KNO - Winding wheel with holder |
| 13. | Feather slide in guide |
| 14. | Hanger |
| 15. | Roller blind curtain |
| 16. | Profile stopper |
| 17. | BOTTOM STRIP aluminum plug with rubber gasket |
| 18. | BOTTOM SLATSj stopper |
| 19. | Guide |

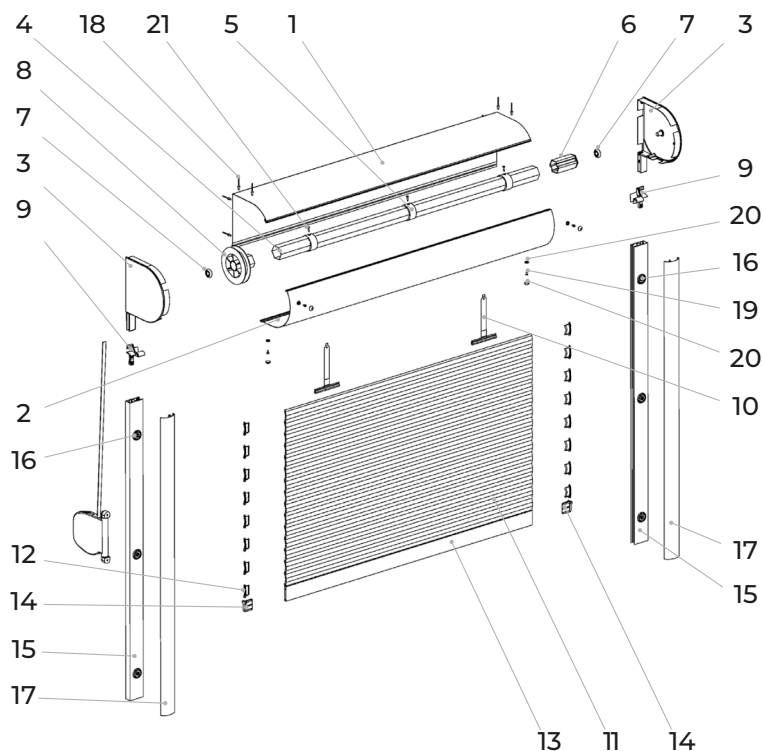
AN EXAMPLE OF A SET OF ELEMENTS IN THE SLOWAL SKP SYSTEM



- | | |
|-----|---|
| 1. | SK/G - Roller shutter box - top |
| 2. | SKP/D - Roller shutter box - bottom |
| 3. | BSP - Side cover boxes |
| 4. | Octagonal tube |
| 5. | PZ - Booster ring |
| 6. | OBS - Mounting bracket |
| 7. | LO 28 - Bearing |
| 8. | Winding wheel |
| 9. | Feather slide in the guide |
| 10. | Hanger |
| 11. | Roller blind curtain |
| 12. | Profile stopper |
| 13. | BOTTOM STRIP aluminum plug with rubber gasket |
| 14. | BOTTOM SLATSj stopper |
| 15. | Guide |
| 16. | PZO - snap plate |
| 17. | Aluminum guide cap |
| 18. | Aluminum rivet |
| 19. | Mounting screw |
| 20. | ZPK 10 - PVC washer with cap |
| 21. | Galvanized conical screw |

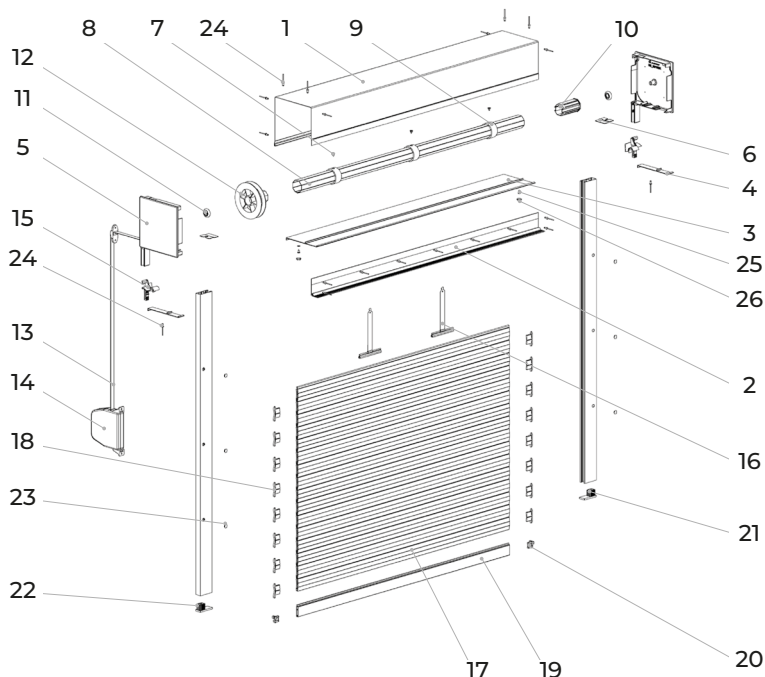
SPECIFICATIONS

EXAMPLE SET OF ELEMENTS OF THE SKO-P SYSTEM



- | | |
|-----|---|
| 1. | SKO-P/G - Roller shutter box - top |
| 2. | SKO-P/D - Roller shutter box - bottom |
| 3. | BS0 - Side cover boxes |
| 4. | Octagonal tube |
| 5. | PZ - Booster ring |
| 6. | OBS - Mounting bracket |
| 7. | LO 28 - Bearing |
| 8. | Winding wheel |
| 9. | Feather slide in the guide |
| 10. | Hanger |
| 11. | Roller blind curtain |
| 12. | Profile stopper |
| 13. | BOTTOM STRIP aluminum plug with rubber gasket |
| 14. | BOTTOM SLATSj stopper |
| 15. | Guide |
| 16. | PZO - snap plate |
| 17. | Aluminum guide cap |
| 18. | Aluminum rivet |
| 19. | Mounting screw |
| 20. | ZPK 10 - PVC washer with cap |
| 21. | Galvanized conical screw |

EXAMPLE SET OF ELEMENTS OF THE HERA P90 / INTEGRO SP-E SYSTEM

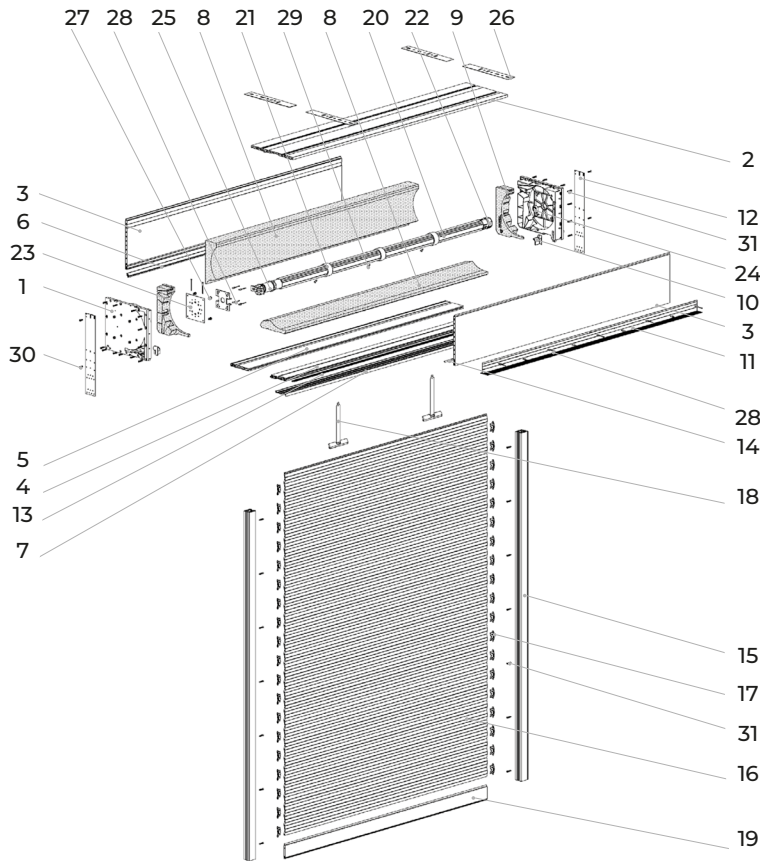


- | | |
|----|---|
| 1. | SP-E roller shutter box |
| 2. | Window sill |
| 3. | Inspection cover for SP-E flush mounted boxes |
| 4. | Cap with INSPECTION COVERSj |
| 5. | Side cover boxes 90° |

- | | |
|-----|---|
| 6. | INSPECTION COVERSj bracket |
| 7. | Galvanized screw |
| 8. | Octagonal tube |
| 9. | Increasing ring |
| 10. | Mounting bracket |
| 11. | Bearing |
| 12. | Winding wheel |
| 13. | Tape (belt) |
| 14. | Tape (belt) retractor 14 mm |
| 15. | Feather slide in the guide |
| 16. | Hanger |
| 17. | Roller blind curtain |
| 18. | Profile stopper |
| 19. | BOTTOM STRIP aluminum plug with rubber gasket |
| 20. | BOTTOM SLATSj stopper |
| 21. | Guide bar |
| 22. | Guide stopper |
| 23. | PVC plug |
| 24. | Aluminum rivet |
| 25. | Mounting screw |
| 26. | PVC washer with cap |

SPECIFICATIONS

EXAMPLE SET OF ELEMENTS OF SKT OPOTERM SYSTEM

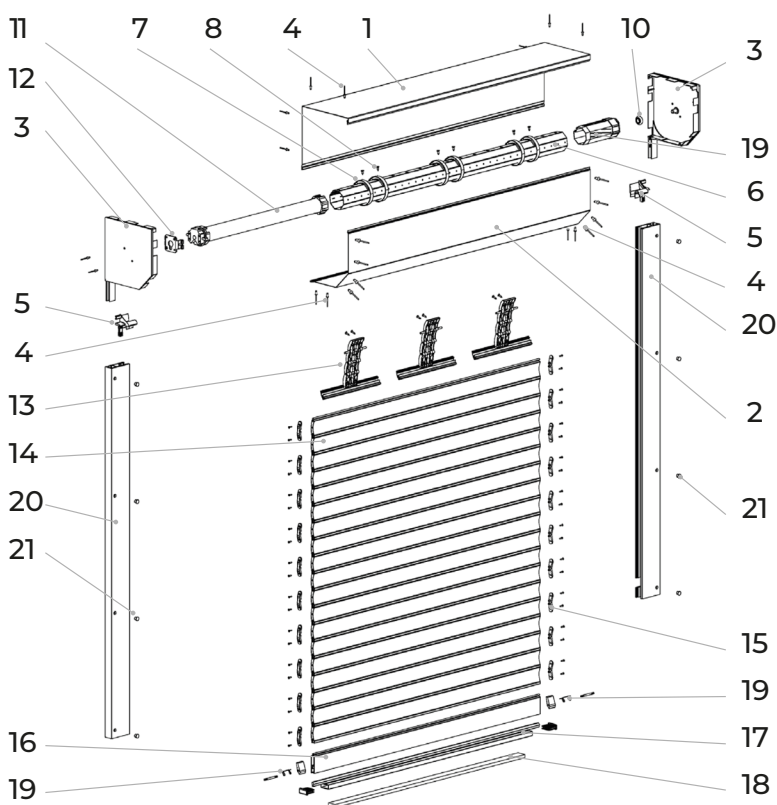


1.	Side cover boxes SKT
2.	Profile boxes top
3.	Profile boxes side
4.	Profile boxes bottom
5.	Profile boxes bottom
6.	Profile boxes snap-in
7.	Profile boxes adaptive
8.	SKT boxes insulation
9.	Side cover insulation
10.	Mini slide
11.	Bracket
12.	Connector side cover - window frame
13.	Brush seal
14.	Brush seal
15.	Guide
16.	Roller blind curtain
17.	Profile stopper
18.	Hanger
19.	BOTTOM STRIP aluminum with rubber seal
20.	Octagonal tube
21.	Ring to increase the diameter of the tube
22.	Cap
23.	Plate for actuator
24.	Bearing Ø28 mm
25.	Actuator
26.	Mounting anchor
27.	Fasteners M5 x 10 mm
28.	Aluminum rivets 4 x 8 mm
29.	Galvanized screw 3.9 x 16 mm conical
30.	Galvanized screw 4.2 x 16 mm
31.	Galvanized screw 4.2 x 25 mm

SPECIFICATIONS

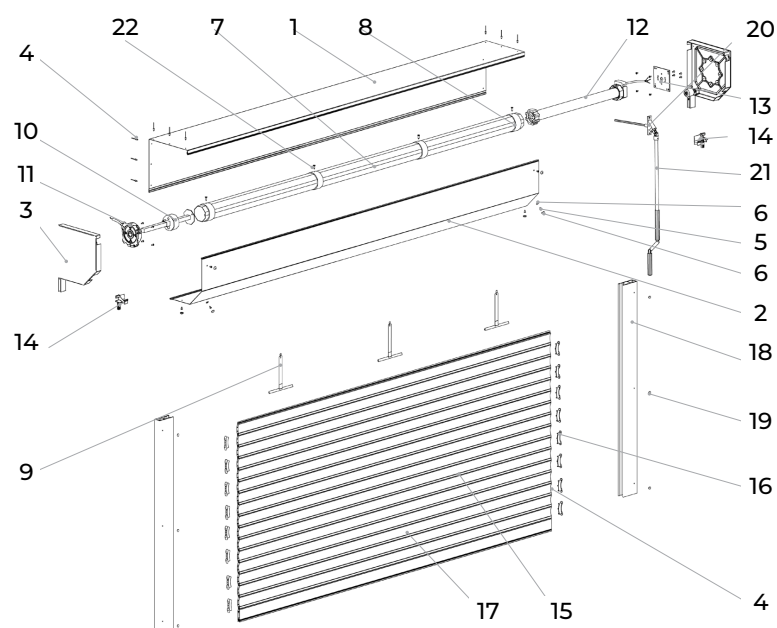
EXAMPLE SET OF ELEMENTS OF THE SYSTEM

SK - ANTI-BURGLARY CLASS RC 3



- | | |
|-----|--|
| 1. | Roller shutter box - top |
| 2. | Roller shutter box - bottom |
| 3. | Side cover boxes |
| 4. | Aluminum rivet |
| 5. | Slide |
| 6. | Octagonal tube |
| 7. | Ring for locking hanger |
| 8. | Galvanized screw |
| 9. | Mounting cap |
| 10. | Bearing |
| 11. | Actuator |
| 12. | Actuator hanger |
| 13. | Hanger lock |
| 14. | Roller blind curtain |
| 15. | Stopper |
| 16. | BOTTOM STRIP aluminum reinforced |
| 17. | Reinforcement BOTTOM SLATSj |
| 18. | Reinforcing flat bar |
| 19. | Anti-burglary assembly for Profile PE 55 |
| 20. | Straight guide reinforced |
| 21. | PVC plug |

EXAMPLE SET OF GATES ROLLING BGR ELEMENTS



- | | |
|-----|--|
| 1. | Gate box - top |
| 2. | Gate box 45° - bottom |
| 3. | Side cover boxes 45° - foot type II |
| 4. | Aluminum rivets |
| 5. | Galvanized screw |
| 6. | PVC washer with cap |
| 7. | Octagonal tube |
| 8. | Booster ring |
| 9. | Steel hanger |
| 10. | Mounting bracket with prset axle |
| 11. | Inertial brake |
| 12. | Actuator |
| 13. | Actuator hanger |
| 14. | Slide |
| 15. | Curtain gates |
| 16. | Profile stopper |
| 17. | BOTTOM STRIP aluminum with rubber seal |
| 18. | Guide |
| 19. | PVC plug |
| 20. | Cardan joint |
| 21. | Crank |
| 22. | Galvanized screw |

SPECIFICATIONS

ROLLER SHUTTER PROFILES

	Code	PA39	PA43	PA52	PA55	PE41	PE55	PA77	PER77	LA32
	W	STD	STD	STD	STD			STD		
	02	STD	STD	STD	STD	STD	STD	STD	STD	
	03	STD	STD	STD	STD	STD	STD	STD	STD	
	04	STD	STD							
	05	STD	STD	STD	STD	STD	STD	STD	STD	
	06	LDR	LDR	LDR	LDR			LDR		
	07	LDR			LDR					
	08	STD	STD	STD	STD	STD	STD	STD	STD	
	09	STD	STD	STD	STD	STD	STD	STD	STD	
	11	EX								
	12	EX								
	13	EX		EX						
	15	STD	STD	STD	EX					
	16	STD	STD		EX					
	17	EX			EX					
	18	EX			EX					
	19	EX								
	20	STD	STD							
	22	STD	STD	STD	STD			STD		
	23	STD	STD	STD	STD			STD		STD
	24	LDR	LDR							
	26	LDR	LDR							
	28	LDR	LDR	LDR				LDR		
	30	LDR	LDR	LDR	LDR			LDR		
	31	STD	STD	STD						
	33	EX	EX							
	34	EX	EX	EX	EX					
	35	EX	EX							
	36	LDR	LDR	LDR						
	37	EX	EX	EX						
	38	EX								
	39	EX		EX						
	40	EX		EX		EX	EX			
	41					EX	EX			
	42					EX	EX			
	43	EX		EX		EX	EX			
	44					EX	EX			
	49	LDR	LDR							
	52	LDR	LDR	LDR						
	75	STD		STD						
	79	LDR								

COLOR DETERMINATION

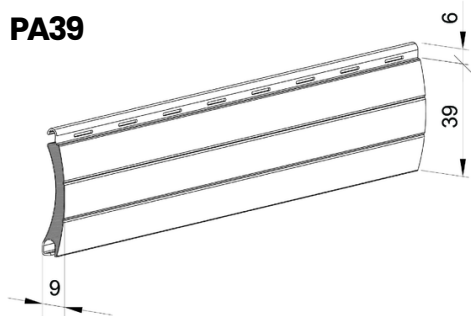
STD - standard

LDR - woodgrain (lacquer)

EX - extra

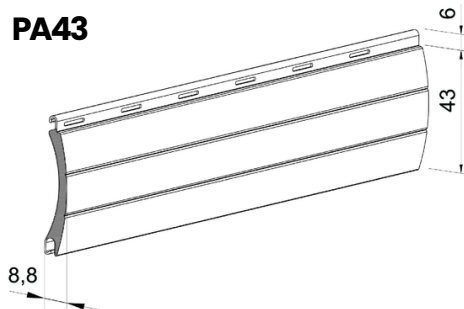
SPECIFICATIONS

PA39



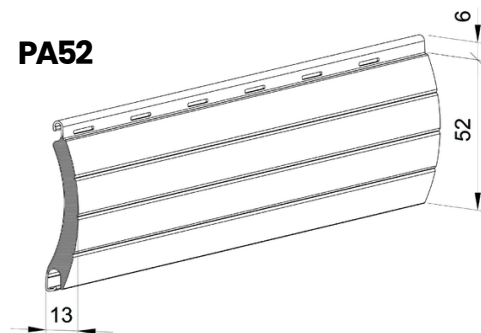
Profile height	39 mm
Thickness profile	9 mm
No. of slats per 1 m height	25,6 pcs.
Weight	2,8 kg
Maximum area	6 m ²

PA43



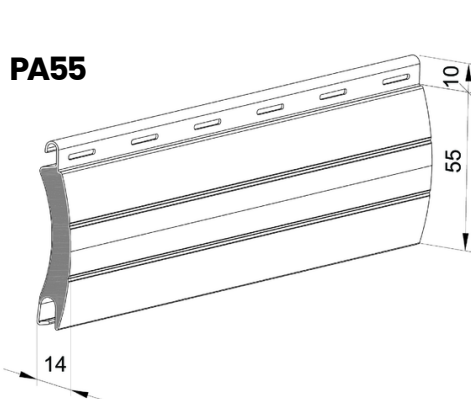
Profile height	43 mm
Thickness profile	8,8 mm
No. of slats per 1 m height	23,2 pcs.
Weight	2,6 kg
Maximum area	9 m ²

PA52



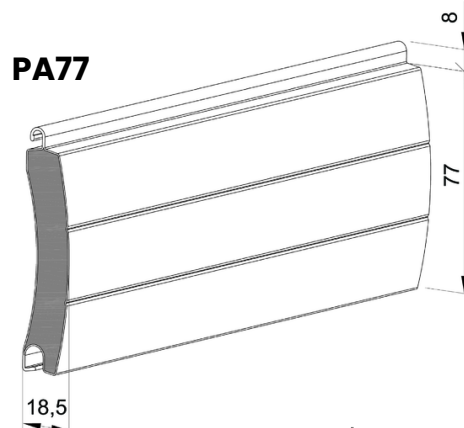
Profile height	52 mm
Thickness profile	13 mm
No. of slats per 1 m height	19 pcs.
Weight	3 kg
Maximum area	8 m ²

PA55



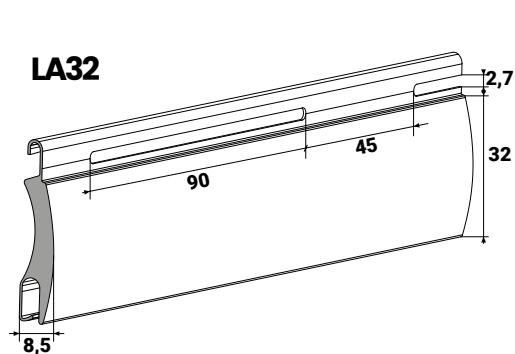
Profile height	55 mm
Thickness profile	14 mm
No. of slats per 1 m height	18 pcs.
Weight	3,4 kg
Maximum area	9,5 m ²

PA77



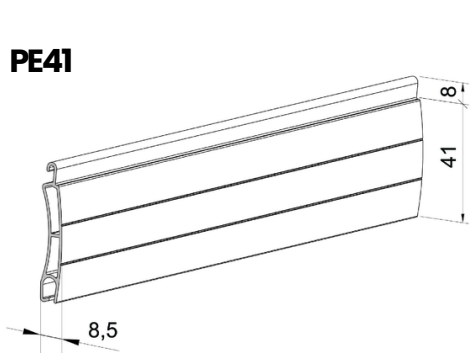
Profile height	77 mm
Thickness profile	18,5 mm
No. of slats per 1 m height	13 pcs.
Weight	4,8 kg
Maximum area	15 m ²

LA32



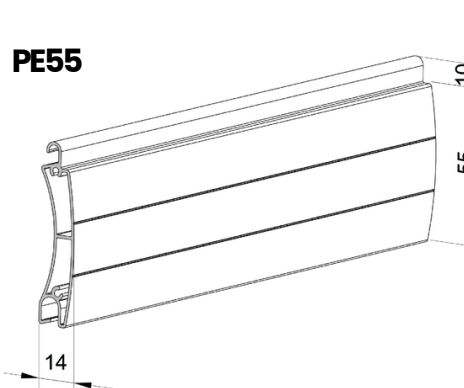
Profile height	32 mm
Thickness profile	8,5 mm
No. of slats per 1 m height	31,2 pcs.
Weight	3,5 kg
Maximum area	6 m ²

PE41



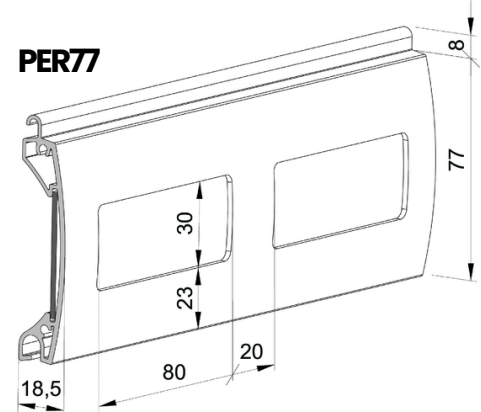
Profile height	41 mm
Thickness profile	8,5 mm
No. of slats per 1 m height	24 pcs.
Weight	7,3 kg
Maximum area	8,5 m ²

PE55



Profile height	55 mm
Thickness profile	14 mm
No. of slats per 1 m height	18 pcs.
Weight	8,7 kg
Maximum area	15 m ²

PER77



Profile height	77 mm
Thickness profile	18,5 mm
Weight	12 kg

SPECIFICATIONS

ROLLER SHUTTER BOXES SK45

Code	SK45/125	SK45/137	SK45/165	SK45/180	SK45/205	SK45/250	SK45/300	SK45/350	SK45/ MKT/165	SK45/ MKT/180	SK45/ MKT/205
COLOR DETERMINATION	01	STD	STD	STD	STD	STD	STD	STD	STD	STD	STD
	02	STD	STD	STD	STD	STD	STD	STD	STD	STD	STD
	03	STD	STD	STD	STD	STD	STD	STD	STD	STD	STD
	05	STD	STD	STD	STD	STD			STD	STD	STD
	08	STD	STD	STD	STD	STD	STD	STD	STD	STD	STD
	09	STD	STD	STD	STD	STD	STD	STD	STD	STD	STD
	15	STD	STD	STD	STD	STD			STD	STD	STD
	22	STD	STD	STD	STD				STD	STD	
	23	STD	STD	STD	STD	STD	STD	STD	STD	STD	STD
	26	LDR	LDR	LDR					LDR	LDR	
	28	LDR	LDR	LDR	LDR		LDR		LDR	LDR	LDR
	30	LDR	LDR	LDR	LDR		LDR		LDR	LDR	LDR
	30R	ODR	ODR	ODR	ODR				ODR	ODR	ODR
	34	EX	EX	EX	EX						
	52R	ODR	ODR	ODR	ODR						
53R	ODR	ODR	ODR	ODR							

STD - standard

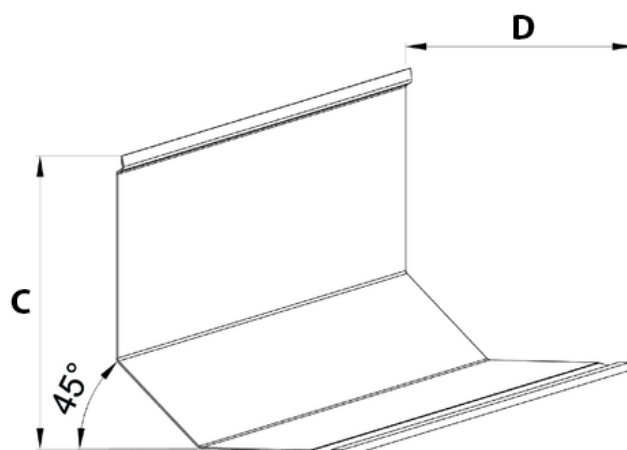
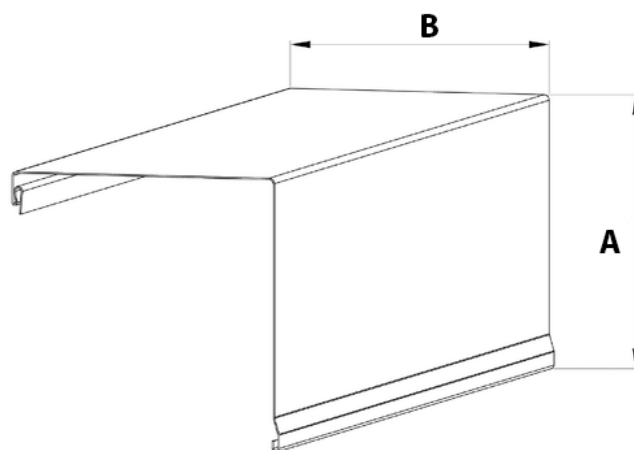
LDR - woodgrain (lacquer)

ODR - wood-like (veneer)

EX - extra

Dimensions of the boxes

	A (mm)	B (mm)	C (mm)	D (mm)
SK45/125	128	125	115	90
SK45/137	139	137	127	104
SK45/165	167	165	155	130
SK45/180	183	180	170	144
SK45/205	207	205	195	170
SK45/250	255	250	240	208
SK45/300	306	300	290	250
SK45/350	360	50	350	305
SK45/MKT/165	167	165	155	119
SK45/MKT/180	183	180	170	133
SK45/MKT/205	207	205	195	158



SPECIFICATIONS

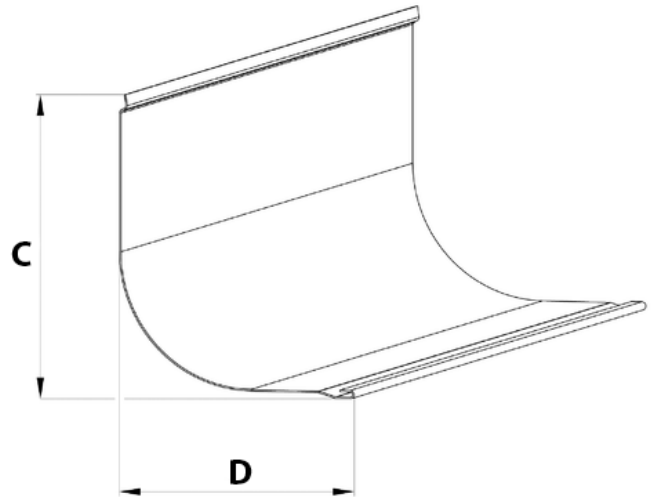
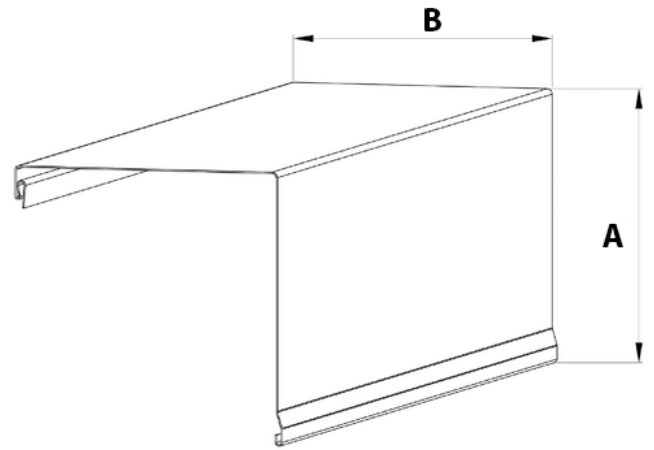
ROLLER SHUTTER BOXES SKP HALFOWAL

Code	SKP/137	SKP/165	SKP/180	SKP/205	SKP/MKT/165	SKP/MKT/180
COLOR DETERMINATION	01	STD	STD	STD	STD	STD
	02	STD	STD	STD	STD	STD
	03	STD	STD	STD	STD	STD
	08	STD	STD	STD	STD	STD
	09	STD	STD	STD	STD	STD
	23	STD	STD	STD	STD	STD

STD - standard

Dimensions of the boxes

	A (mm)	B (mm)	C (mm)	D (mm)
SKP/137	139	137	129	105
SKP/165	167	165	157	128
SKP/180	183	180	172	143
SKP/205	207	205	197	160
SKP/MKT/165	167	165	157	121
SKP/MKT/180	183	180	172	136



SPECIFICATIONS

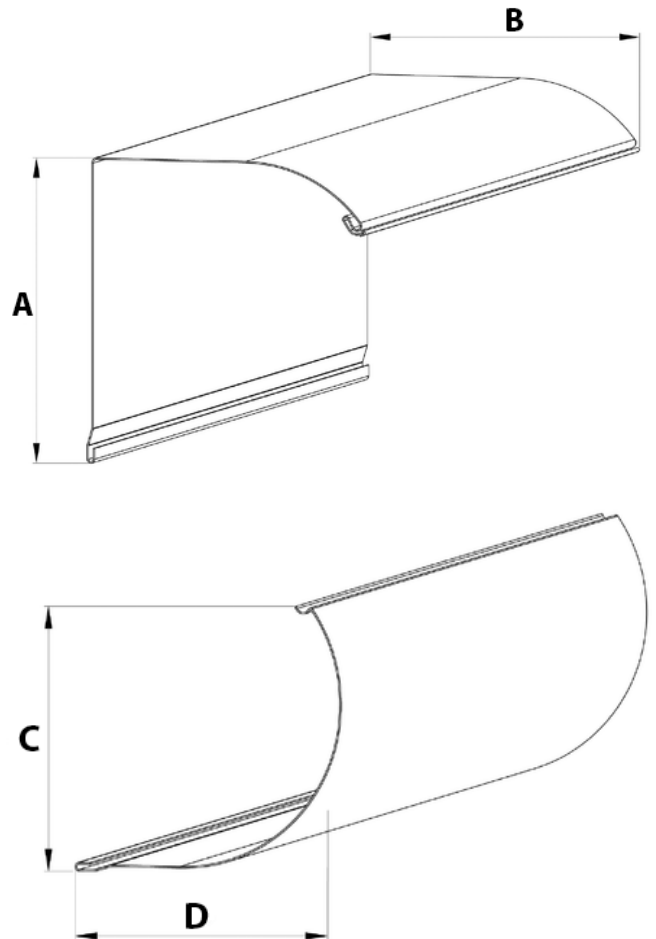
SKO-P OVAL ROLLER SHUTTER BOXES

Code	SKO-P/137	SKO-P/165	SKO-P/180	SKO-P/205	SKO-P/MKT/165	SKO-P/MKT/180	
COLOR DETERMINATION	01	std	std	std	std	std	std
	02	std	std	std	std	std	std
	03	STD	STD	STD	STD	STD	STD
	08	STD	STD	STD	STD	STD	STD
	09	STD	STD	STD	STD	STD	STD
	15	STD	STD	STD	STD		
	22	STD	STD	STD			
	23	STD	STD	STD	STD		
	34	EX	EX	EX	EX		

STD - standard EX - extra

Dimensions of the boxes

	A (mm)	B (mm)	C (mm)	D (mm)
SKO-P/137	141	131	113	111
SKO-P/165	168	157	133	134
SKO-P/180	184	171	145	150
SKO-P/205	206	195	163	167
SKO-P/MKT/165	184	171	134	123
SKO-P/MKT/180	206	195	145	143



SPECIFICATIONS

BOXES ROLETOWE SP-E INTEGRO (INSPECTION COVER, BRACKET)

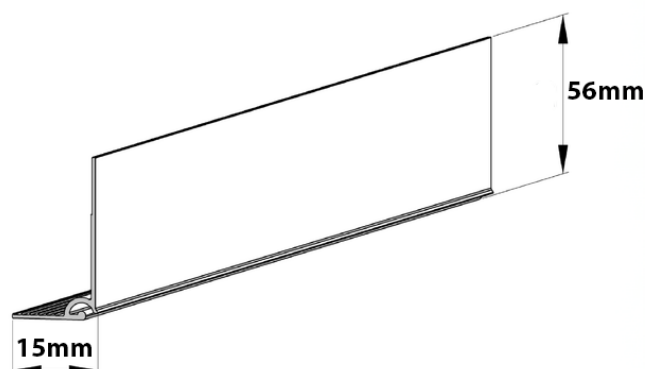
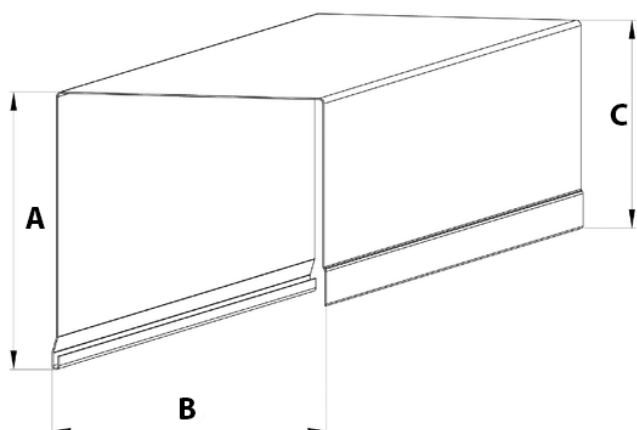
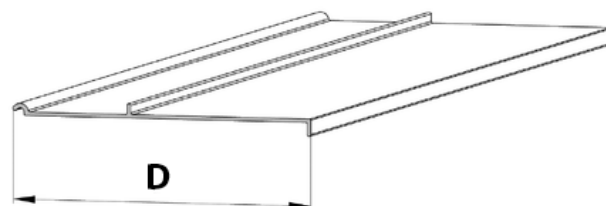
Code	SP-E/137	SP-E/165	SP-E/180	SP-E/205	SP-E/MKT/205
01	EX	EX	EX	EX	EX
02	STD	STD	STD	STD	STD
03	STD	STD	STD	STD	STD
08	STD	STD	STD	STD	STD
09	STD	STD	STD	STD	STD
20	EX	EX	EX	EX	
22	STD	STD	STD	STD	STD
23	STD	STD	STD	STD	STD
23R	ODR	ODR	ODR		
28R	ODR	ODR	ODR	ODR	ODR
30R	ODR	ODR	ODR	ODR	ODR
40S	EX	EX	EX	EX	EX
41S	EX	EX	EX	EX	EX
42S	EX	EX	EX	EX	EX
43S	EX	EX	EX	EX	EX
44S	EX	EX	EX	EX	EX
49	ODR	ODR	ODR	ODR	ODR
52R	ODR	ODR	ODR	ODR	ODR
53R	ODR	ODR	ODR	ODR	ODR
79R	ODR	ODR	ODR		

COLOR DETERMINATION

STD - standard ODR - wood-like (vener) EX - extra
S - SPECIAL COLORS ON REQUEST

Dimensions of the boxes

	A (mm)	B (mm)	C (mm)	D (mm)
SP-E/137	137	137	98	111
SP-E/165	165	164	126	139
SP-E/180	180	180	142	150
SP-E/205	205	205	167	171
SP-E/MKT/205	205	205	167	165



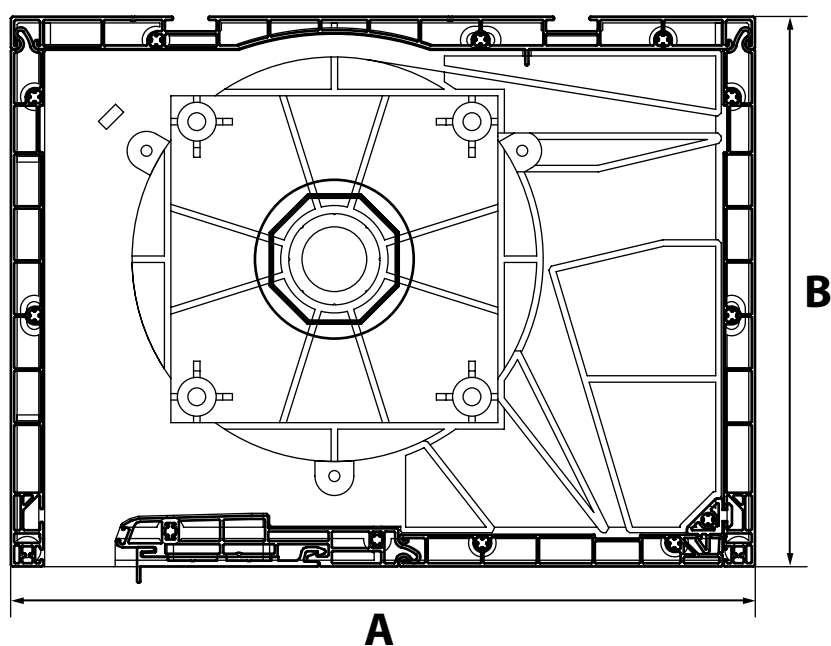
SPECIFICATIONS

ROLLER SHUTTER BOXES SKT OPOTERM

Code	Color	Name of the foil	Code Of the foil
02	White		
08	Brown		
23R	Grey anthracite	anthrazitgrau / anthracite gray	LG KDB74
26R	Mahogany	mahogany / mahogany	LG UR602
280R	Walnut	nut / nuss	9.21788007
300R	Golden oak	goldeiche / golden oak	9.2178001
52R	Winchester	winchester / winchester	9.0049240
53R	Dark oak	dunkel eiche / dark oak	9.2052089

Dimensions of the boxes

Code	A (mm)	B (mm)
SKT 230/170	230	170
SKT 230/210	230	210
SKT 255/240	255	240



SPECIFICATIONS

SIDE OF THE BOX ALU

COLOR DETERMINATION

Code	01	02	03	05	08	09	15	22	23	26R	28	28R	30	30R	32	34	40S	41S	42S	43S	44S	52R	53R	
BS45/125		STD	STD		STD	STD		STD	STD															
BS45/137	EX	STD	STD	STD	STD	STD	STD	STD	STD	ODR	LDR	ODR	LDR	ODR	STD	EX							ODR	ODR
BS45/165	EX	STD	STD	STD	STD	STD	STD	STD	STD	ODR	LDR	ODR	LDR	ODR	STD	EX							ODR	ODR
BS45/180	EX	STD	STD	STD	STD	STD	STD	STD	STD	ODR	LDR	ODR	LDR	ODR	STD	EX							ODR	ODR
BS45/205	EX	STD	STD	STD	STD	STD	STD		STD	ODR	LDR	ODR	LDR	ODR	STD	EX							ODR	ODR
BS45/250	EX	STD	STD		STD	STD			STD															
BS45/300	EX	STD	STD		STD	STD			STD		LDR		LDR											
BS45/k/350	EX	STD	STD		STD	STD			STD															
BSP/137	EX	STD	STD		STD	STD			STD															
BSP/165	EX	STD	STD		STD	STD			STD															
BSP/180	EX	STD	STD		STD	STD			STD															
BSP/205	EX	STD	STD		STD	STD			STD															
BSO/137	EX	STD	STD		STD	STD	STD	STD	STD							EX	EX	EX	EX	EX	EX			
BSO/165	EX	STD	STD		STD	STD	STD	STD	STD							EX	EX	EX	EX	EX	EX			
BSO/180	EX	STD	STD		STD	STD	STD	STD	STD							EX	EX	EX	EX	EX	EX			
BSO/205	EX	STD	STD		STD	STD	STD	STD	STD							EX	EX	EX	EX	EX	EX			
BSO/250		STD																						
BSO/300		STD																						

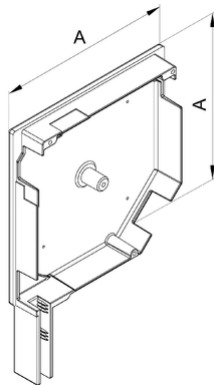
STD - standard

LDR - woodgrain (lacquer)

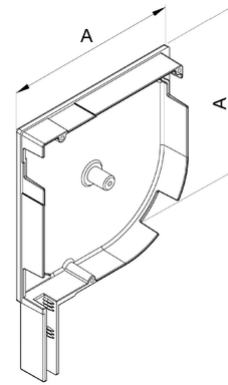
ODR - wood-like (veneer)

EX - extra

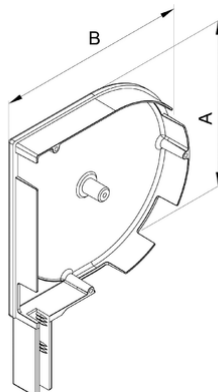
Dimensions of covers	A(mm)
BS45/125	126
BS45/137	140
BS45/165	168
BS45/180	183
BS45/205	208
BS45/250	252
BS45/300	302



Dimensions of covers	A(mm)
BSP/137	137
BSP/165	166
BSP/180	181
BSP/205	206



Dimensions of covers	A(mm)	B(mm)
BSO/137	126	147
BSO/165	140	175
BSO/180	168	190
BSO/205	183	217
BSO/250	208	262
BSO/300	252	312



S - SPECIAL COLORS ON REQUEST

SIDE COLORS 28R, 30R, 52R, 53R - ARE SUBJECT TO INDIVIDUAL PRICING.

SPECIFICATIONS

BOTTOM SLATS

Code	LDG-E	LDG52	LDG52/OPT	LDG/S	LDG/D	LDG55/W	LDSM MKT
01	EX	EX	EX	EX	EX		EX
02	STD	STD	STD	STD	STD	STD	STD
03	STD	STD	STD	STD	STD	STD	STD
05	STD	STD	STD	STD	STD	STD	STD
08	STD	STD	STD	STD	STD	STD	STD
09	STD	STD	STD	STD	STD	STD	STD
15	STD						STD
20							
22	STD	STD	STD	STD	STD		STD
23	STD	STD		STD	STD		STD
23R	ODR						
26R	ODR						ODR
28	LDR				LDR		LDR
28R	ODR						ODR
30	LDR	LDR	LDR		LDR		LDR
30R	ODR			ODR			ODR
34	EX	EX		EX			
40S	EX	EX	EX		EX	EX	
41S	EX	EX	EX		EX	EX	
42S	EX	EX	EX		EX	EX	
43S	EX	EX	EX		EX	EX	
44S	EX	EX	EX		EX	EX	
49	LDR						LDR
49R	ODR						
52	LDR						LDR
52R	ODR						
53R	ODR						
79R	ODR						

Code	LDG-E	LDSM MKT
280R	odr	odr
300R	odr	odr

COLOR DETERMINATION

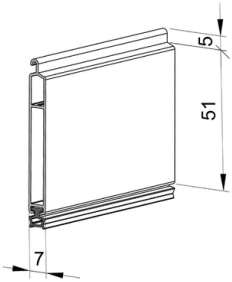
COLOR DETERMINATION

STD - standard LDR - woodgrain (lacquer)
S - SPECIAL COLORS ON REQUEST

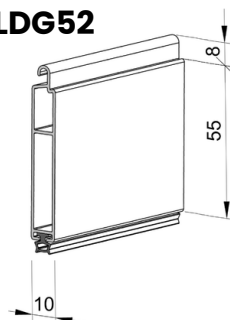
ODR - wood-like (veneer)

EX - extra

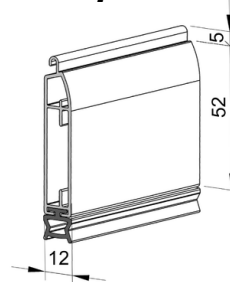
LDG-E



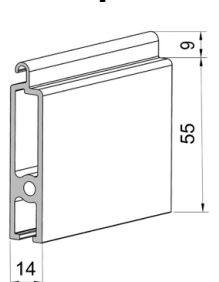
LDG52



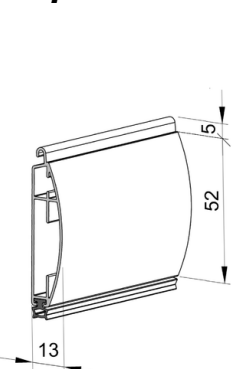
LDG52/OPT



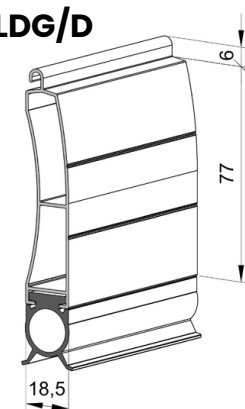
LDG55/W



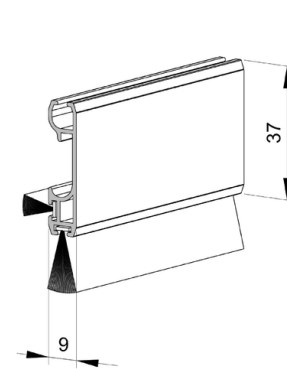
LDG/S



LDG/D



LDSM MKT



SPECIFICATIONS

ALUMINUM SLIDES

GUIDES POJEDYNCZE

CODE	COLOR DETERMINATION													
	01	02	03	05	08	09	15	20	22	23	23R	26R	28	
PP45		STD	STD		STD	STD					STD			
PU45		STD	STD	STD	STD	STD				STD	STD			
PP53	EX	STD	STD	STD	STD	STD	STD	STD	STD	STD	STD	ODR	ODR	LDR
PK53	EX	STD	STD	STD	STD	STD	STD			STD	STD		ODR	LDR
PP53/ODS	EX	STD	STD	STD	STD	STD				STD	STD			
PP53/ODS/20	EX	STD	STD	STD	STD	STD	STD			STD	STD			
PPMO53	EX	STD			STD	STD		STD	STD	STD				LDR
PPDO53	EX	STD	STD	STD	STD	STD	STD			STD	STD	ODR	ODR	LDR
PP68	EX	STD	STD	STD	STD	STD		STD	STD	STD			ODR	LDR
PPW66		STD	STD	STD	STD	STD								
PP66	EX	STD	STD	STD	STD	STD								
PP75	EX	STD	STD		STD	STD				STD	STD			
PP89	EX	STD	STD	STD	STD	STD				STD	STD			LDR
PP110	EX	STD	STD	STD	STD	STD								
PPW80		STD	STD	STD	STD	STD								
PPW90		STD	STD		STD	STD								

CODE	COLOR DETERMINATION													
	28R	30	30R	34	40S	41S	42S	43S	44S	49	52	52R	53R	79R
PP45														
PU45														
PP53	ODR	LDR	ODR	EX	EX	EX	EX	EX	EX	LDR	LDR	ODR	ODR	ODR
PK53	ODR	LDR	ODR		EX	EX	EX	EX	EX	LDR	LDR	ODR	ODR	
PP53/ODS														
PP53/ODS/20														
PPMO53		LDR								LDR	LDR			
PPDO53	ODR	LDR	ODR		EX	EX	EX	EX	EX	LDR	LDR	ODR	ODR	ODR
PP68	ODR	LDR	ODR							LDR	LDR			
PPW66					EX	EX	EX	EX	EX					
PP66		LDR	ODR		EX	EX	EX	EX	EX					
PP75				EX	EX	EX	EX	EX	EX					
PP89		LDR			EX	EX	EX	EX	EX					
PP110														
PPW80					EX	EX	EX	EX	EX					
PPW90					STD	EX	EX	EX	EX					

STD - standard LDR - woodgrain (lacquer)
S - SPECIAL COLORS ON REQUEST

ODR - wood-like (veneer)

EX - extra

SPECIFICATIONS

ALUMINUM SLIDES

DOUBLE SLIDES

CODE	COLOR DETERMINATION												
	01	02	03	05	08	09	15	20	22	23	23R	26R	28
PPD79	EX	STD	STD	STD	STD	STD		EX	STD	STD		ODR	LDR
PPD79/ODS	EX	STD	STD	STD	STD	STD				STD			
PPD79/ODS/20		STD			STD	STD				STD			
PPDO79	EX	STD	STD	STD	STD	STD				STD			
PPDMO79	EX	STD			STD	STD		STD	STD	STD			LDR

CODE	COLOR DETERMINATION													
	28R	30	30R	34	40S	41S	42S	43S	44S	49	52	52R	53R	79R
PPD79	ODR	LDR	ODR		EX	EX	EX	EX	EX	LRD	LRD	ODR	ODR	
PPD79/ODS														
PPD79/ODS/20														
PPDO79														
PPDMO79		LDR												

OVERLAYS

CODE	COLOR DETERMINATION												
	01	02	03	05	08	09	15	20	22	23	23R	26R	28
N/PPDO	EX	STD	STD		STD	STD			STD	STD			
N/PP66	EX	STD	STD		STD	STD							
N/PPD79	EX	STD	STD		STD	STD			STD				

CODE	COLOR DETERMINATION													
	28R	30	30R	34	40S	41S	42S	43S	44S	49	52	52R	53R	79R
N/PPDO					EX	EX	EX	EX	EX					
N/PP66					EX	EX	EX	EX	EX					
N/PPD79					EX	EX	EX	EX	EX					

DISTANCE

CODE	COLOR DETERMINATION												
	01	02	03	05	08	09	15	20	22	23	23R	26R	28
D/PP	EX	STD	STD	STD	STD	STD			STD	STD		ODR	

CODE	COLOR DETERMINATION													
	28R	30	30R	34	40S	41S	42S	43S	44S	49	52	52R	53R	79R
D/PP	ODR		ODR		EX	EX	EX	EX	EX					

STD - standard LDR - woodgrain (lacquer)
S - SPECIAL COLORS ON REQUEST

ODR - wood-like (veneer)

EX - extra

SPECIFICATIONS

ALUMINUM SLIDES

ALUMINUM SLIDES DO SYSTEMU OPOTERM

CODE	COLOR DETERMINATION												
	01	02	03	05	08	09	15	20	22	23	23R	26R	28
PPDAMW60/12		STD			STD					STD			
PPDAMW-P60/12		STD			STD					STD			
PPMO60/12		STD			STD	STD	STD			STD			LDR
PPMO60/17		STD			STD	STD	STD			STD			LDR
PPDA60/12		STD			STD								
PPDA60/17		STD			STD								

CODE	COLOR DETERMINATION													
	28R	30	30R	34	40S	41S	42S	43S	44S	49	52	52R	53R	79R
PPDAMW60/12														
PPDAMW-P60/12														
PPMO60/12		LDR												
PPMO60/17		LDR												
PPDA60/12			ODR											
PPDA60/17			ODR											

CODE	COLOR DETERMINATION	
	280R	300R
PPDAMW60/12	ODR	ODR
PPDAMW-P60/12	ODR	ODR
PPDA60/12	ODR	
PPDA60/17	ODR	

STD - standard LDR - woodgrain (lacquer)
S - SPECIAL COLORS ON REQUEST

ODR - wood-like (veneer)

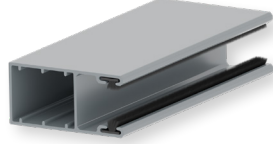
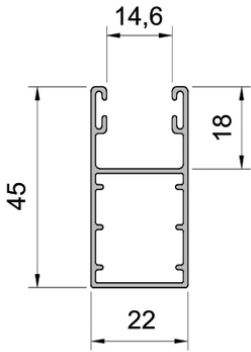
EX - extra

SPECIFICATIONS

ALUMINUM SLIDES

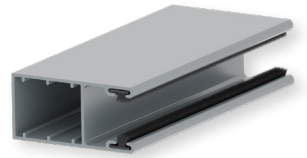
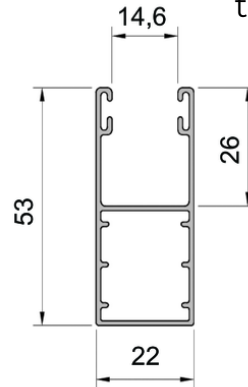
PP45

to Profile PA39, PA43



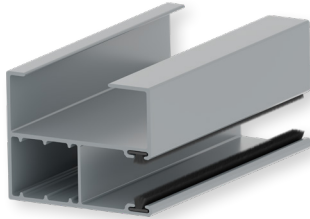
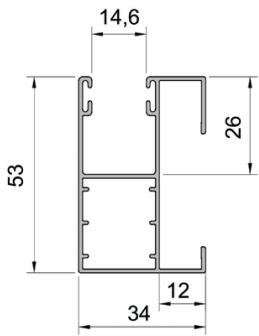
PP53

to Profile PA39, PA43



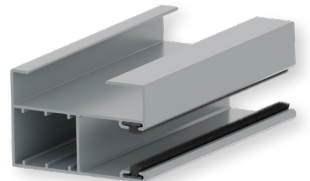
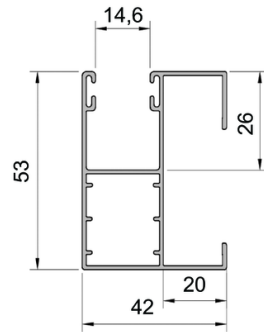
PP53/ODS

to Profile PA39, PA43



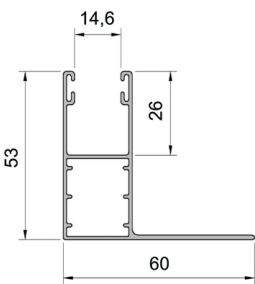
PP53/ODS/20

to Profile PA39, PA43



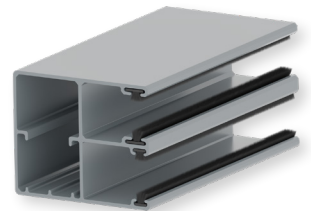
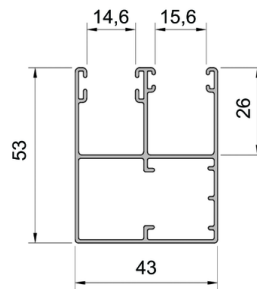
PK53

to Profile PA39, PA43



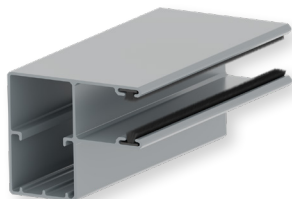
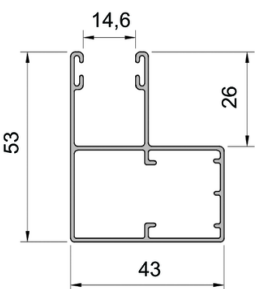
PPDO53

to Profile PA39, PA43



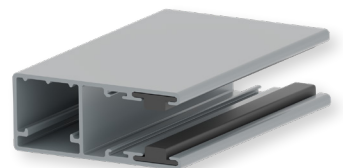
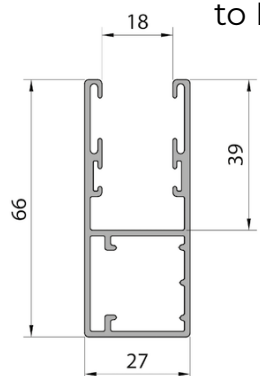
PPMO53

to Profile PA39, PA43



PP66

to Profile PA52, PA55

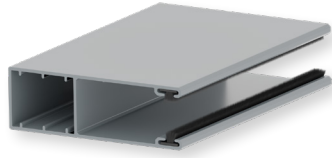
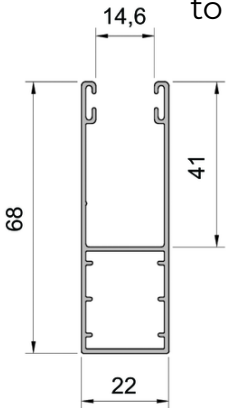


SPECIFICATIONS

ALUMINUM SLIDES

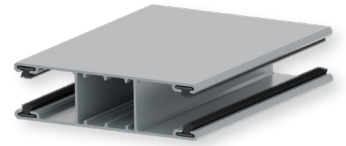
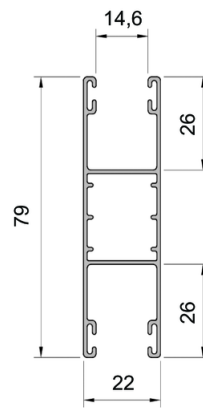
PP68

to Profile PA39, PA43

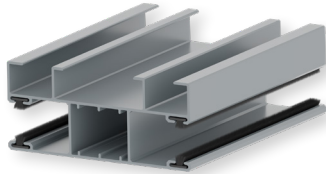
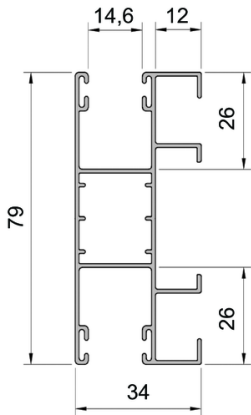


PPD79

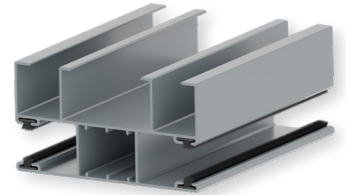
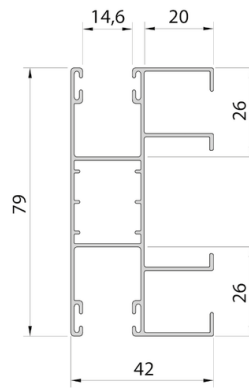
to Profile PA39, PA43



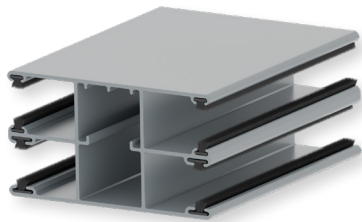
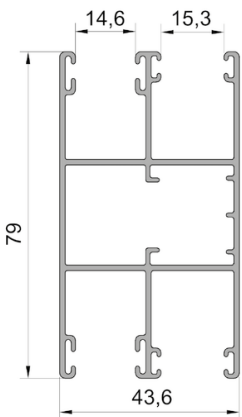
PPD79/ODS to Profile PA39, P43



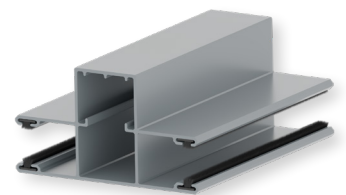
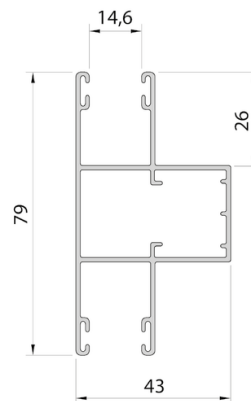
PPD79/ODS/20 to Profile PA39, P43



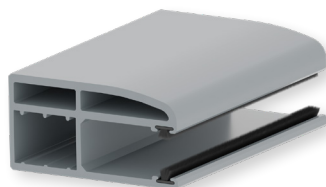
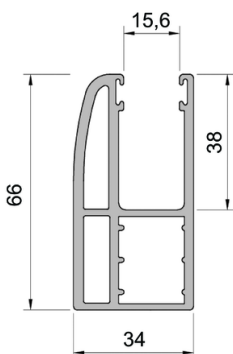
PPDO79 to Profile PA39, PA43



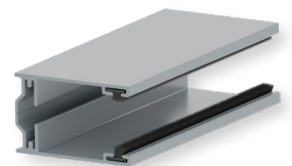
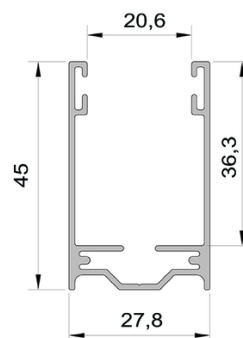
PPDMO79 to Profile PA39, PA43



PPW66 to Profile PE41



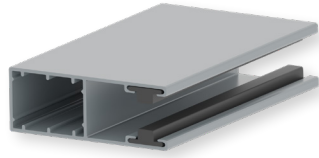
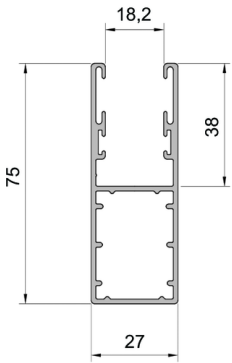
PU45 to Profile PA52, PA55



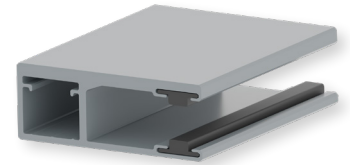
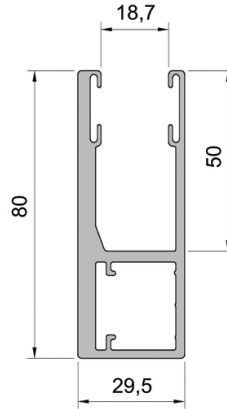
SPECIFICATIONS

ALUMINUM SLIDES

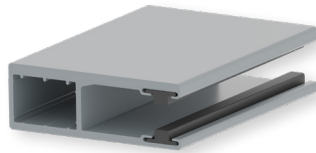
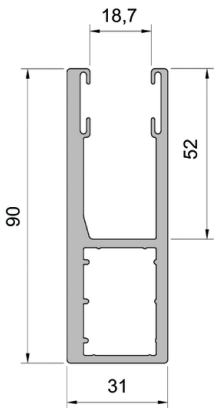
PP75
to Profile PA52, PA55



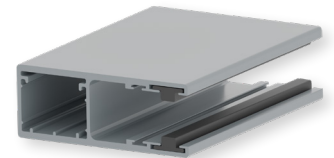
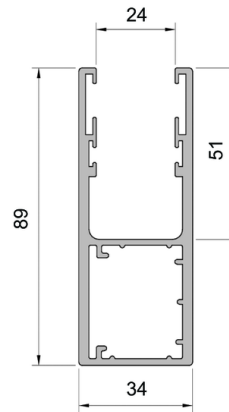
PPW80
to Profile PE55



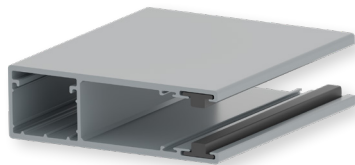
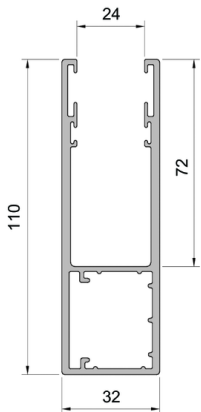
PPW90
to Profile PE55



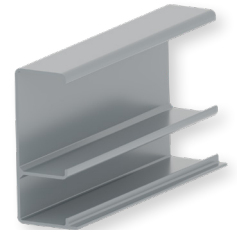
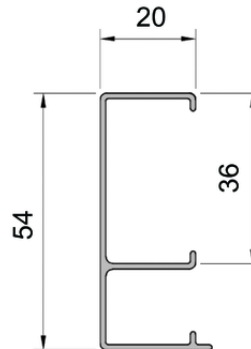
PP89
to Profile PA77



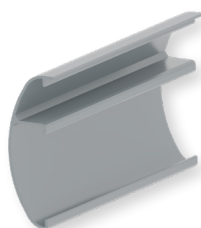
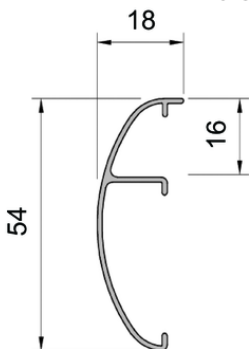
PP110
to Profile PA77



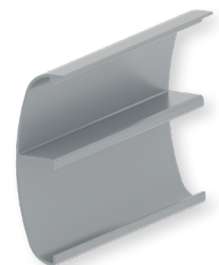
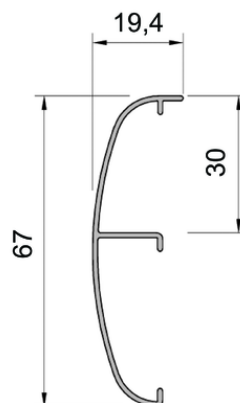
D/PP
applied with PP53, PK53,
PPDO53 + PZO plate



N/PPDO
applied with PP53, PP53/ODS, PK53,
PPDO53, PPMO53 + PZO plate



PP/PP66
applied with PP66 + PZO plate

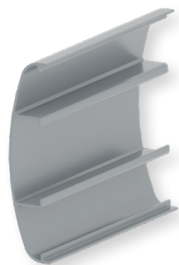
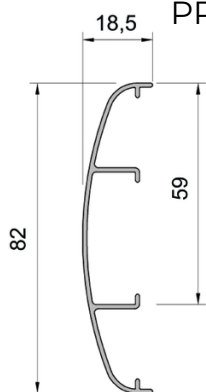


SPECIFICATIONS

ALUMINUM SLIDES

N/PPD79

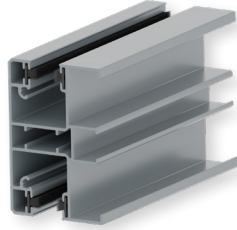
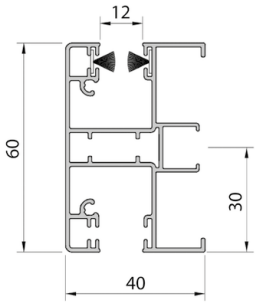
applied with PPD79,
PPD79/ODS + PZO plate



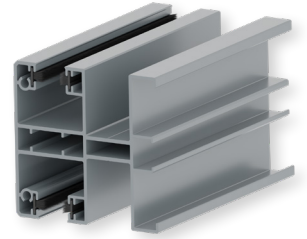
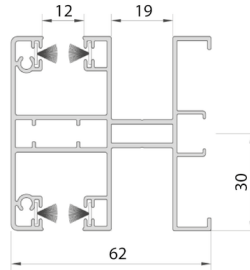
SPECIFICATIONS

ALUMINUM SLIDES

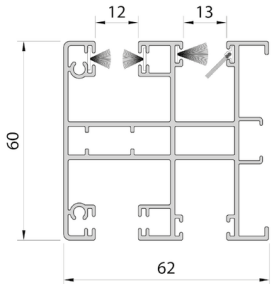
PPDA60/12
to Profile PA39, PA43



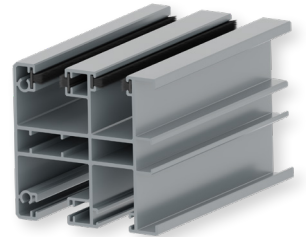
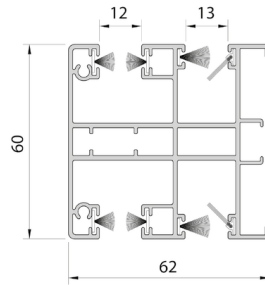
PPMO60/12
to Profile PA39, PA43



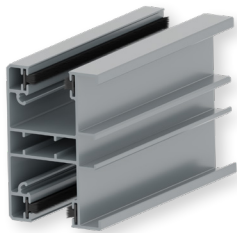
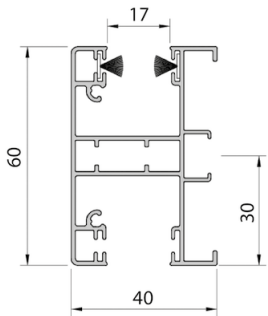
PPDAMW60/12
to Profile PA39, PA43



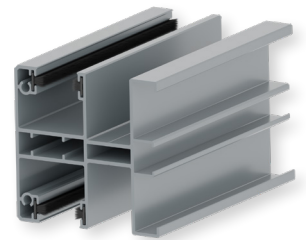
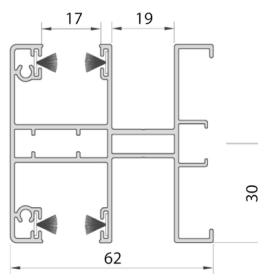
PPDAMW-P60/12
to Profile PA39, PA43



PPDA60/17
to Profile PA52



PPMO60/17
to Profile PE52

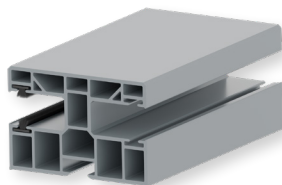
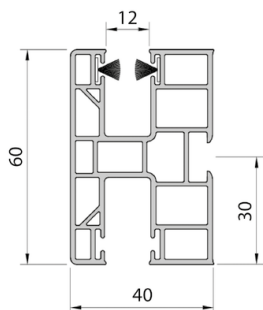


SPECIFICATIONS

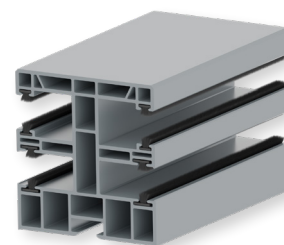
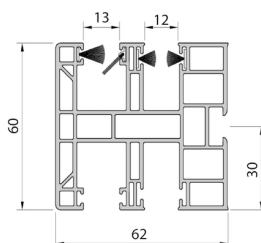
GUIDES PCV

Code	Color	Name of the foil	Code Of the foil
02	White		
08	Brown		
23R	Grey anthracite	anthrazitgrau / anthracite gray	LG KDB74
26R	Mahogany	mahogany / mahogany	LG UR602
280R	Walnut	nut / nuss	9.21788007
300R	Golden oak	goldeiche / golden oak	9.2178001
52R	Winchester	winchester / winchester	9.0049240
53R	Dark oak	dunkel eiche / dark oak	9.2052089

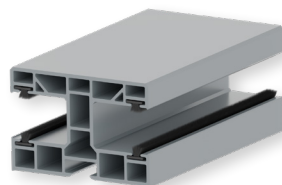
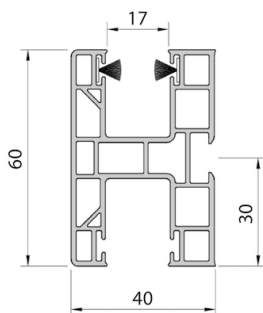
PPD60/12
to Profile PA39, PA43



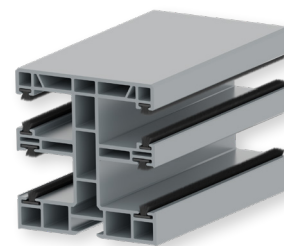
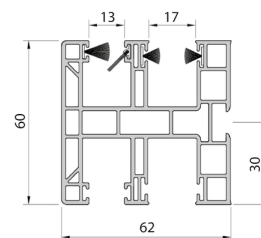
PPDM60/12
to Profile PA39, PA43



PPD60/17
to Profile PA52



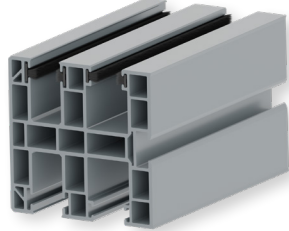
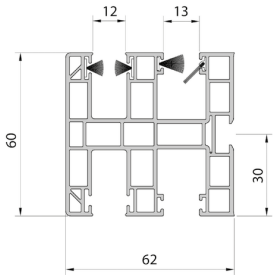
PPDM60/17
to Profile PA52



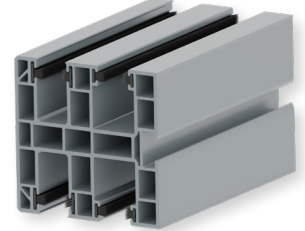
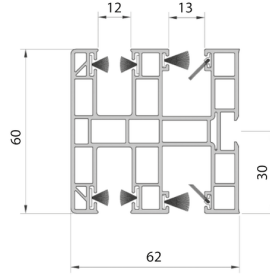
SPECIFICATIONS

GUIDES PCV

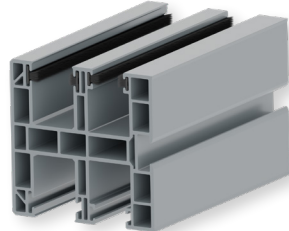
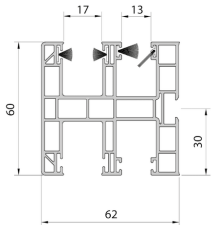
PPDMW60/12
to Profile PA39, PA43



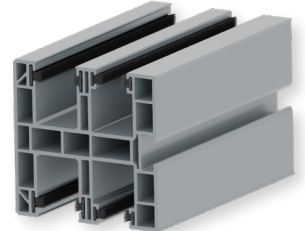
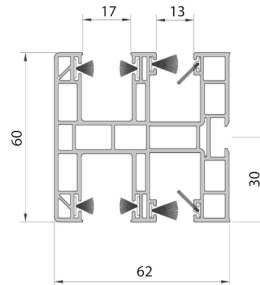
PPDMW-P60/12
to Profile PA39, PA43



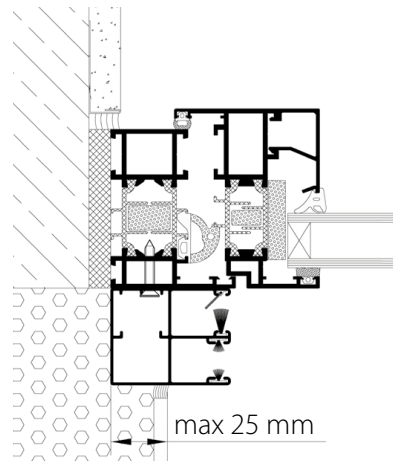
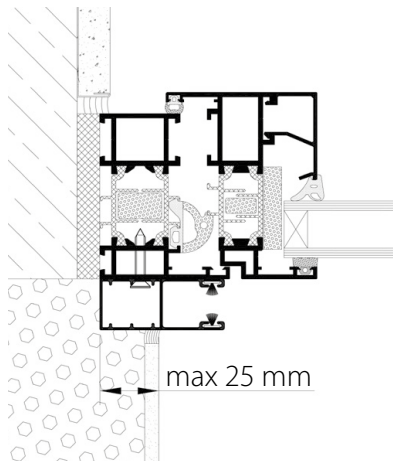
PPDMW60/17
to Profile PA52



PPDMW-P60/17
to Profile PA52



MAXIMUM INSTALLATION DIMENSION OF SLIDES (concerns integro)



When using guides:

- PP45,
- PP53,
- PP53/ODS,
- PP53/ODS/20,
- PPMO53,
- PP66,
- PPW66,
- PP68,
- PPW80

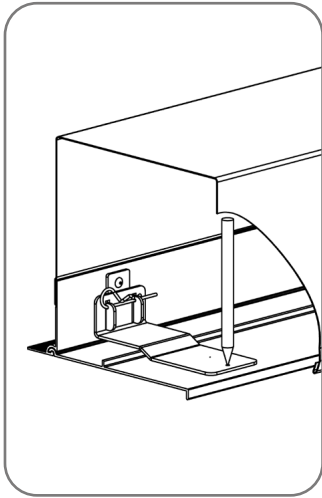
When using guides:

- PPDO53

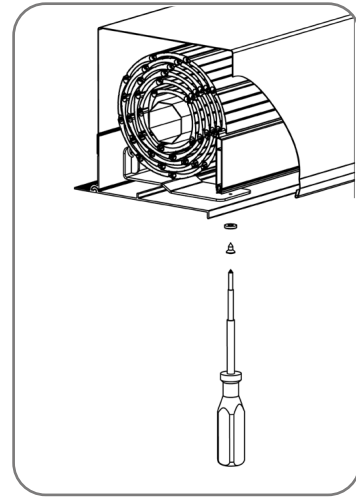
SPECIFICATIONS

STRENGTHENING THE INSPECTION SHIELD.

WZ90PR reinforcement is used optionally in the following box sizes: SP/165, SP/180, SP/205.

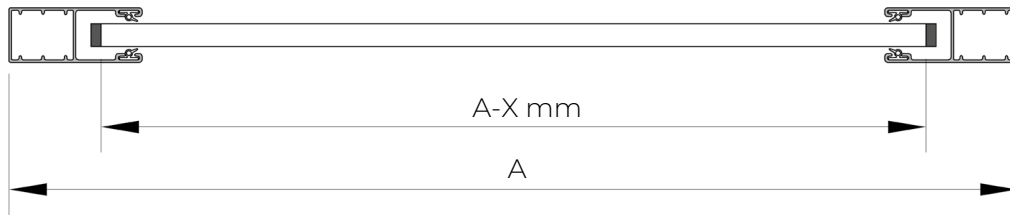


Mark the holes on the SP 90 PR inspection cover and make a \varnothing 4 mm hole in it,



Screw the inspection cover to the reinforcement with screws.

CUTTING CURTAINS



Profile Curtain PA39 (GUIDES PP 45, PP 53, PP 53/ODS, PP 53/ODS/20, PK 53, PK 53/120, PPMO 53, PP 68)

Name	X (mm)
Aluminium roller shutter profiles	73 mm
Bottom strip with gasket	73 mm

Profile Curtain PA39 with automatic bolt RA

(GUIDES PP 45, PP 53, PP 53/ODS, PP 53/ODS/20, PK 53, PK 53/120, PPMO 53, PP 68)

Name	X (mm)
Aluminium roller shutter profiles	78 mm
Bottom strip with gasket	78 mm

Profile Curtain PA43 (GUIDES PP 45, PP 53, PP 53/ODS, PP 53/ODS/20, PK 53, PK 53/120, PPMO 53, PP 68)

Name	X (mm)
Aluminium roller shutter profiles	74 mm
Bottom strip with gasket	74 mm

Profile Curtain PA43 with automatic bolt RA

(GUIDES PP 45, PP 53, PP 53/ODS, PP 53/ODS/20, PK 53, PK 53/120, PPMO 53, PP 68)

Name	X (mm)
Aluminium roller shutter profiles	81 mm
Bottom strip with gasket	81 mm

SPECIFICATIONS

CUTTING CURTAINS

Profile Curtain PA52 (GUIDES PP 66)

Name	X (mm)
Aluminium roller shutter profiles	78 mm
Bottom strip with gasket	78 mm

Profile Curtain PA52 with automatic bolt RA (GUIDES PP 66)

Name	X (mm)
Aluminium roller shutter profiles	86 mm
Bottom strip with gasket	86 mm

Profile Curtain PA55 (GUIDES PP 66)

Name	X (mm)
Aluminium roller shutter profiles	78 mm
Bottom strip with gasket	78 mm

Profile Curtain PE 41 (GUIDES : PP 53, PP 53/ODS, PP 53/ODS/20, PK 53, PK 53/120, PPMO 53, PP 68, PPW 66)

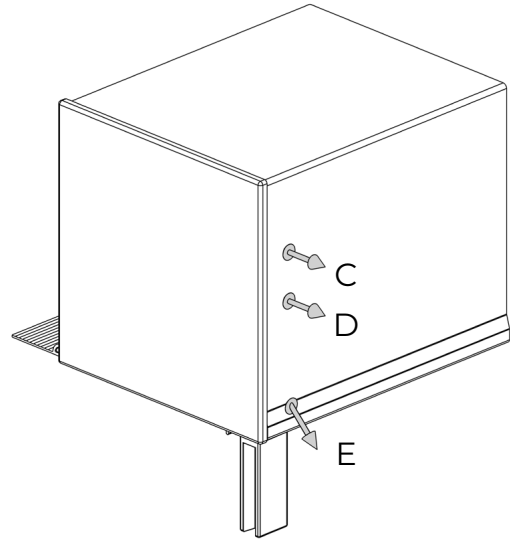
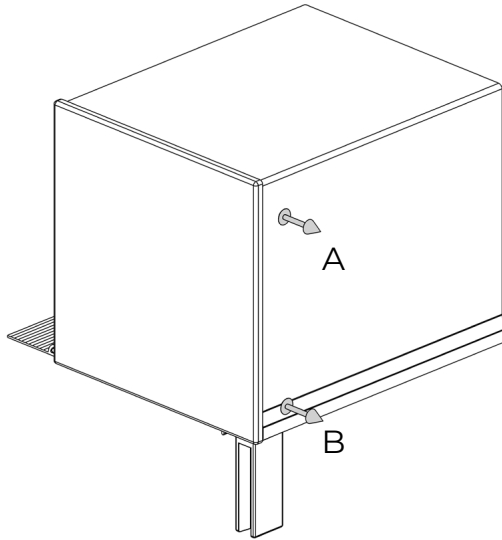
Name	X (mm)
Aluminium roller shutter profiles	77 mm
Bottom strip with gasket	77 mm

Profile Curtain PE 55 (GUIDES : PP 66, PPW 80)

Name	X (mm)
Aluminium roller shutter profiles	83 mm
Bottom strip with gasket	83 mm

SPECIFICATIONS

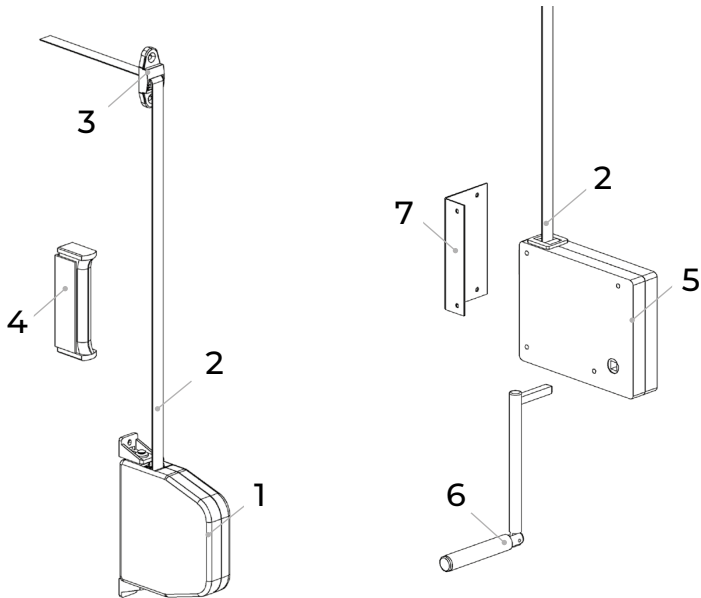
MANUAL DRIVE OUTLETS



- A. Top exit of the tape / cable
- B. Top guide for strap / cable
- C. Top lead-out for MECHANISM ACEC crank
- D. Middle lead-out for MECHANISM MK crank
- E. Angle lead-out for crank MECHANISM ACEC/MK

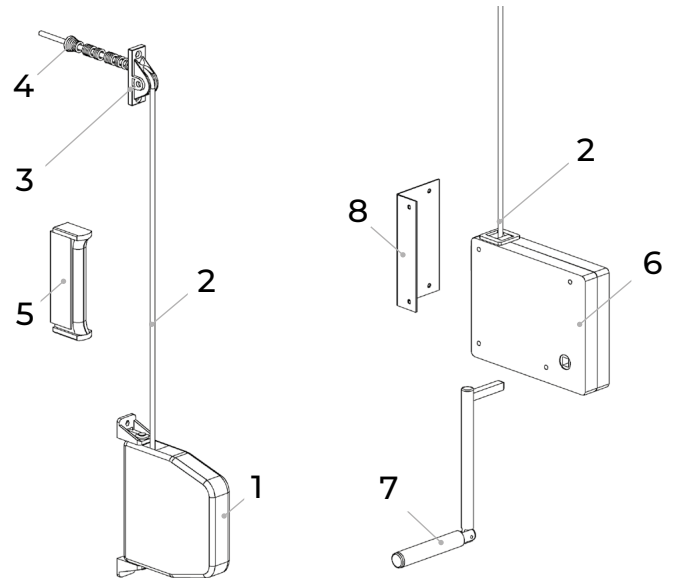
MANUAL DRIVES USING WINDING WHEELS

Operation with a strap (belt)



1. Tape retractor (belt) 14 mm
2. Tape (belt)
3. Tape (belt) guide 14 mm
4. Tape holder - rope
5. Gearbox cassette for tape (belt) 14 mm
6. Crank mignon
7. Plate for fixing the cassette with gearbox

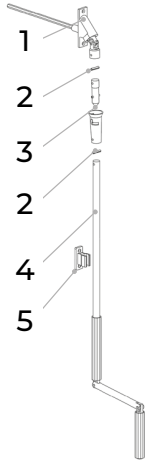
Operation via link



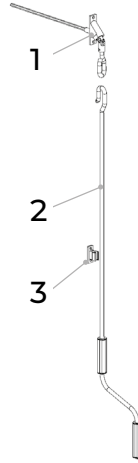
1. Retractor for \varnothing 4.5 mm rope
2. \varnothing 4.5 mm nylon rope
3. LN 45 type cable guide adapter
4. Spring for PL-P
5. Tape holder - rope
6. Cartridge with gear for \varnothing 4.5 mm wire
7. Crank mignon
8. Plate for fixing the cassette with gear

SPECIFICATIONS

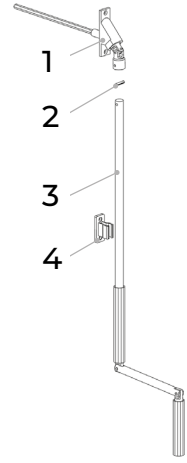
MANUAL DRIVES USING ACEC CRANKING MECHANISM



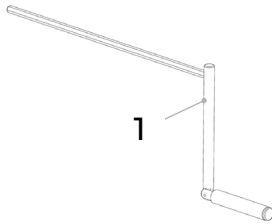
1. Cardan joint
2. Pin
3. Bellhook
4. Crank 1500 mm
5. Crank fixing bracket



1. Cardan joint with eye
2. Crank with hook
3. Crank handle

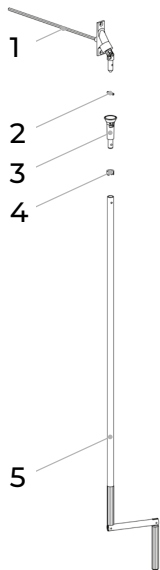


1. Cardan joint
2. Pin
3. Crank 1500 mm
4. Crank fixing bracket



1. Crank

MANUAL DRIVES USING MK CRANK MECHANISM



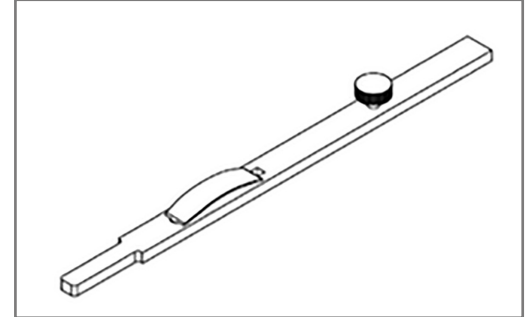
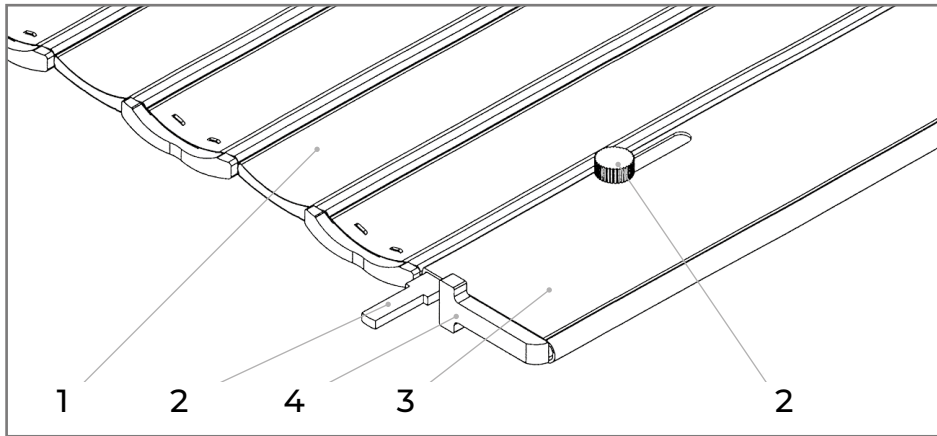
1. Cardan joint
2. Pin
3. Bellhook
4. Safety ring with pin
5. Crank 1500 mm

SPECIFICATIONS

CURTAIN PROTECTIONS AGAINST LIFTING

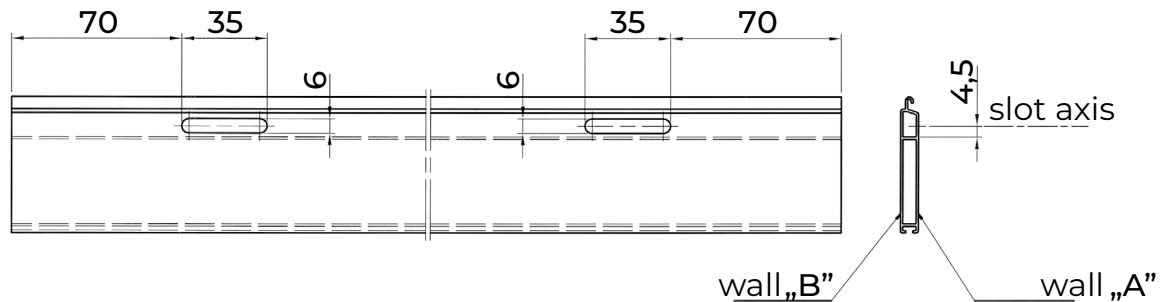
Slider (bolt) RY

Method of attachment and list of components



1. Roller shutter profiles
2. Latch (bolt)
3. BOTTOM STRIP
4. BOTTOM SLATSj stopper

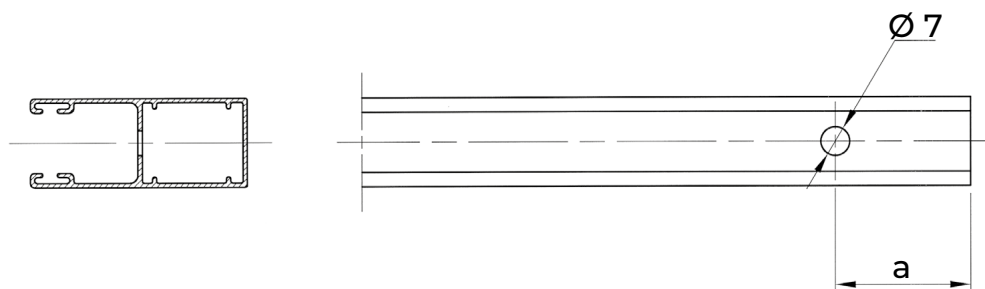
Dimensions and arrangement of slots in the bottom bar for RY transoms



Milling of holes in the bottom strip

- slots 6 x 35 - not slotted:
- in wall A - for roller shutters rolled up internally (right-handed)
- in wall B - for externally rolled (left-hand) roller blinds

Dimensions and location of the hole in the guide for the RY type bolt



Guide hole drilling:

- for BOTTOM SLATSj LDG 40: $a = 33$ mm
- for BOTTOM SLATSj LDG, LDG-E: $a = 48$ mm

SPECIFICATIONS

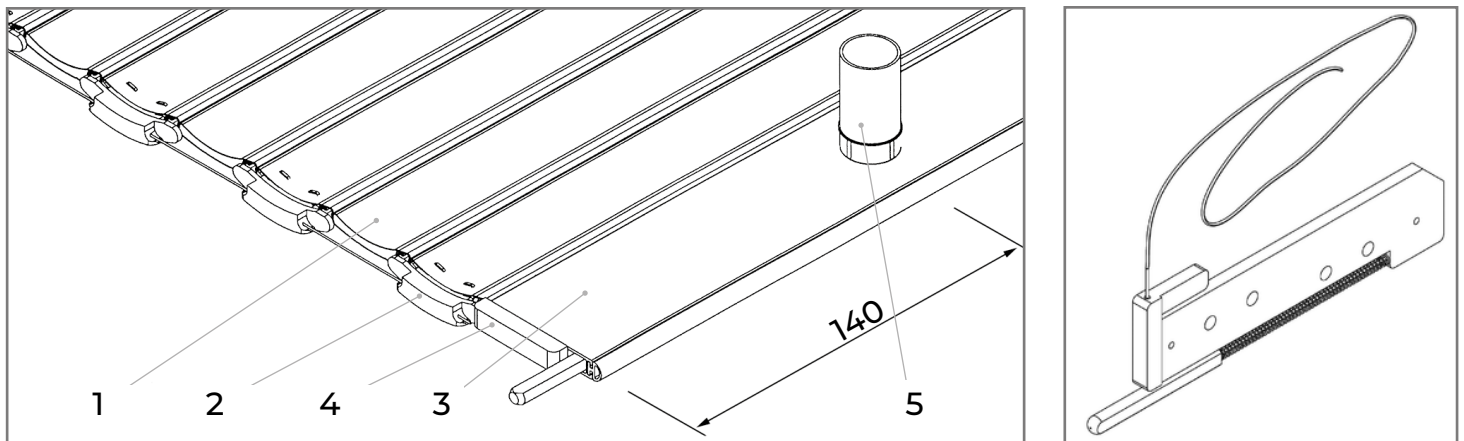
CURTAIN PROTECTIONS AGAINST LIFTING

RA automatic deadbolt

The minimum possible Roller blind width with an automatic transom is 0.5 m. However, it is recommended to take the minimum width equal to 1 m. Below 1 m, each case should be treated on a case-by-case/experimental basis and involves, among other things, the need for additional load on the bottom slat, the attachment of buffers by the transoms and the possible non-opening of the lower Profiles.

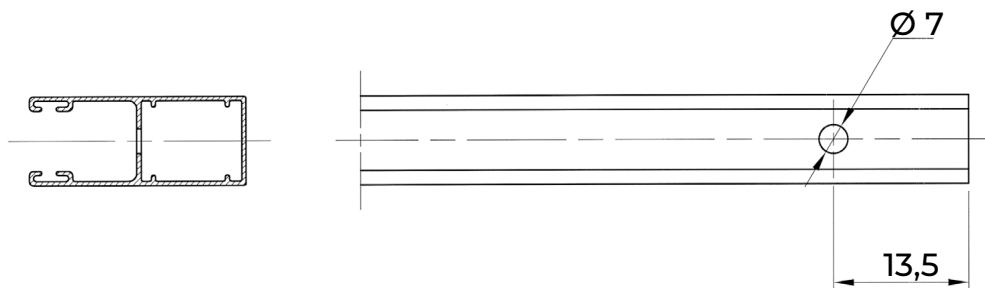
Method of attachment and list of components

Automatic bolts are placed in the bottom bar. The steel cable of the automatic bolt must be pulled through the automatic bolt plugs and connected to the bracket with screws. The bracket to which the steel cable is attached should be located between 11 and 15 Profiles counting from the bottom bar. This will allow the bolt to be fully retracted into the bottom bar and unlock the armor in the guides. The handle itself should be riveted or screwed to the Profile in such a way that it does not block the roller shutter curtain during raising and lowering.



1. Roller shutter profiles
2. Profile stopper
3. bottom slat
4. Automatic lock
5. Bottom slat buffer

Dimensions and location of the hole in the guide for the RA type bolt

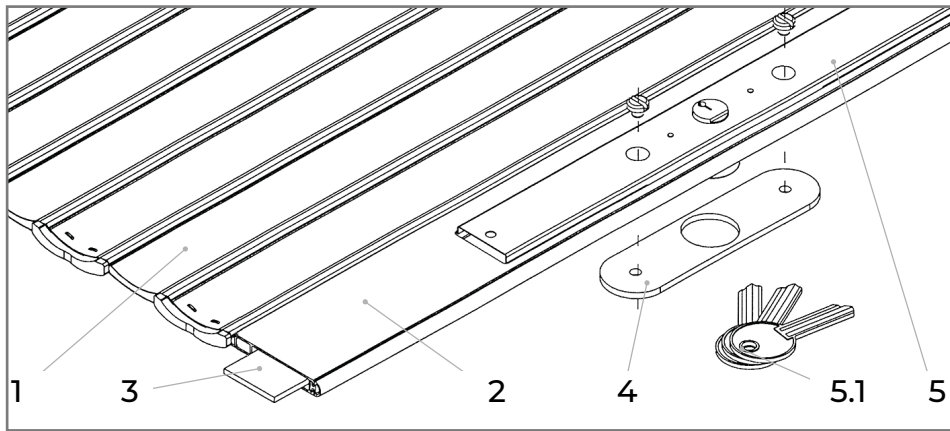


SPECIFICATIONS

CURTAIN PROTECTIONS AGAINST LIFTING

Basquil lock

Method of attachment and list of components



1. Roller shutter profiles
2. bottom bar
3. Aluminum bar for lock
4. basquila lock
5. Basquil lock masking plate
- 5.1 Keys for the basquil lock

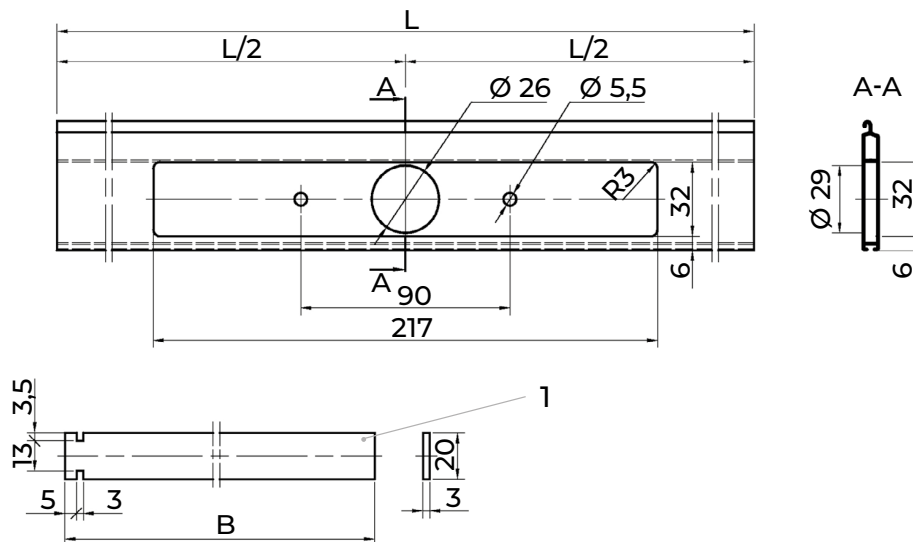


View of the installation of the basquil lock from the rear side of the roller shutter. If the lock is installed, a handle is additionally installed, always on the left side of the lock.



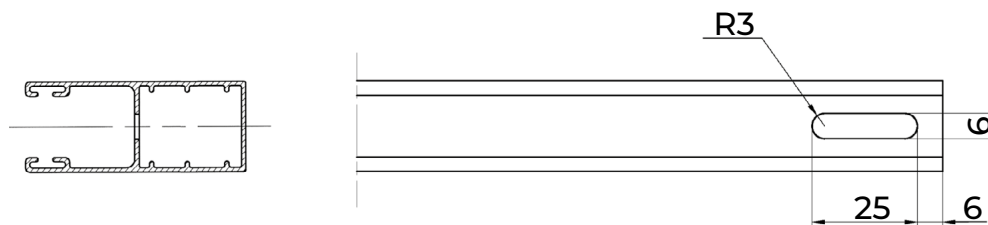
View of the installation of the basquil lock from the front side of the roller shutter. If the lock is installed, a handle is additionally installed, always on the left side of the lock.

The way of preparing the bottom strip for the installation of the basquil lock type ZB



1. Aluminum bar for basquil lock

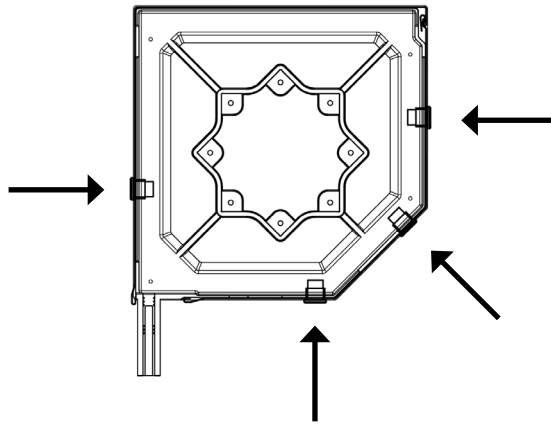
Dimensions and location of the hole in the guide for the ZB lock



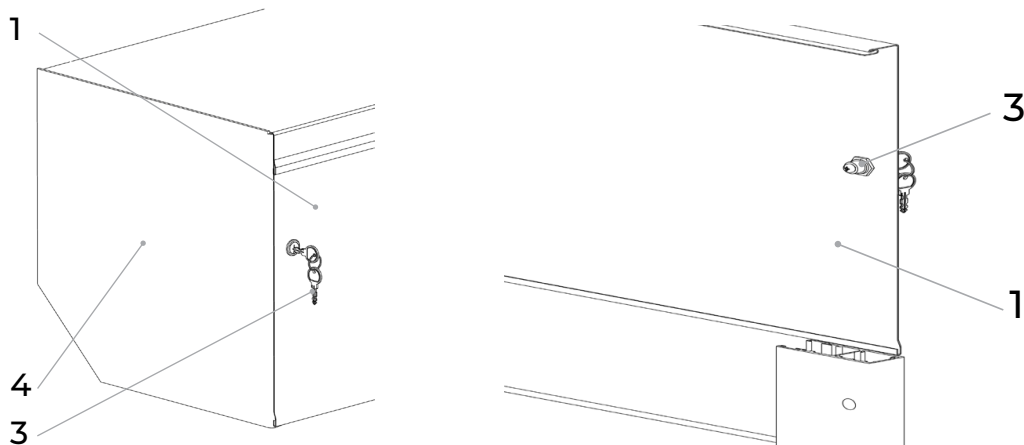
SPECIFICATIONS

INSTALLATION OF A LOCK FOR ANR

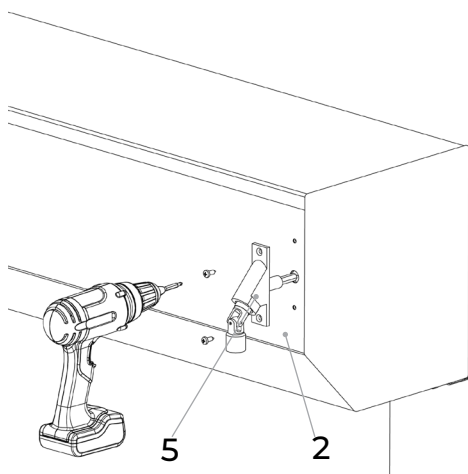
Możliwe pozycje zamontowania zamka ZM ANR:



In the previously made hole ($\varnothing 16$ mm) in the box under the MECHANISM ANR (Emergency Manual Drive), insert the ZM ANR, then secure it on the inside with a nut.



To install the axle to ANR actuators, you need to unlock and pull out the cylinder, respectively, using the included keys, then insert the OS axle or Cardan joint into the boxes and use a steel rod or crank to lower or raise the ARMOR.



1. Gate box - rear
2. Gate box 45° - bottom
3. Lock for ANR
4. Side cover boxes
5. Cardan joint

SPECIFICATIONS

WINDING CAPACITY OF ROLL-UP BLINDS

Profile LA32

Maximum Height of the roller shutter including the box (mm)

Box	SW40 + WB	SW40 + PZ45	SW60 + WB	SW60 + PZ68
HERA A45 - 125	960	960	800	600
HERA A45 - 137	1300	1280	980	1100
HERA A45 - 165	1650	1920	1780	1650
HERA A45 - 180	2300	2300	2240	2080
HERA A45 - 205	3110	3130	2930	2720
	SW40 + WB	SW40 + PZ45	SW60 + WB	SW60 + PZ68
SP-E - 137	1300	1280	980	1110
SP-E - 165	1650	1650	1780	1650
SP-E - 180	2300	2300	2240	2080
SP-E - 205	2700	2700	2700	2700
	SW40 + WB	SW40 + PZ45	SW60 + WB	SW60 + PZ68
SKT - 170	1320	1360	1320	1200
SKT - 210	2440	2520	2350	2390
SKT - 240	2700	2700	2700	2700
	SW40 + WB	SW40 + PZ45	SW60 + WB	SW60 + PZ68
HERA P90 - 137	1300	1280	980	1100
HERA P90 - 150	1390	1310	1380	1254
HERA P90 - 165	1650	1920	1780	1650
HERA P90 - 180	2300	2300	2240	2080
HERA P90 - 205	3110	3130	2930	2720

Profile LA39

Maximum Height of the roller shutter including the box (mm)

Box	SW40 + WB	SW40 + PZ45	SW60 + WB	SW60 + PZ68
HERA P90 - 137	1340	1340	1210	1210
HERA P90 - 150	1790	1770	1590	1500
HERA P90 - 165	2230	2290	2050	2050
HERA P90 - 180	2950	2980	2790	2590
HERA P90 - 205	3800	3940	3460	3540
	SW40 + WB	SW40 + PZ45	SW60 + WB	SW60 + PZ68
HERA A45 - 125	1080	1000	840	810
HERA A45 - 137	1340	1340	1210	1210
HERA A45 - 165	2230	2290	2050	2050
HERA A45 - 180	2950	2980	2790	2590
HERA A45 - 205	3880	3940	3460	3540

SPECIFICATIONS

WINDING CAPACITY OF ROLL-UP BLINDS

Profile PA39

Maximum Height of the roller shutter including the box (mm)

	SW40	SW40 + PZ/45	SW40 + PW/40	SW60	SW60 + PZ/68	SW60 + PW/60
SK/125	1240	1280	-	-	-	-
SK/SKP/SP-E/137	1560	1600	-	1440	1210	-
SK/SKP/SP-E/165	2390	2470	2030	2280	2120	1450
SK/SKP/SP-E/180	2950	3020	2520	2790	2630	1930
SK/SKP/SP-E/205	4320	4210	3480	4050	3780	3400
	SW40	SW40 + PZ/45	SW40 + PW/40	SW60	SW60 + PZ/68	SW60 + PW/60
SKO-P/137	1560	1600	-	1410	1250	-
SKO-P/165	2430	2510	2080	2320	2160	1450
SKO-P/180	3260	3100	2910	3060	2640	2330
SKO-P/205	4370	4250	3950	4130	3820	3410
	SW40	SW40 + PZ/45	SW40 + PW/40	SW60	SW60 + PZ/68	SW60 + PW/60
SKT/230/170	1890	1690	1220	1730	1570	980
SKT/230/210	3230	3310	2860	3270	3040	2310
SKT/255/240	4460	4770	3940	4460	4420	4020

Profile PA39 + MKT

Maximum Height of the roller shutter including the box (mm)

	SW40	SW40 + PZ/45	SW40 + PW/40	SW60	SW60 + PZ/68	SW60 + PW/60
SK/SKP/SP-E/165	1730	1690	1330	1600	1650	1100
SK/SKP/SP-E/180	2440	2240	1780	2360	1850	1540
SK/SKP/SP-E/205	2500	2500	2500	2500	2500	2500
	SW40	SW40 + PZ/45	SW40 + PW/40	SW60	SW60 + PZ/68	SW60 + PW/60
SKO-P/165	1650	1690	1300	1540	1340	790
SKO-P/180	2440	2480	2050	2280	2130	1550
SKO-P/205	2500	2500	2500	2500	2500	2500
	SW40	SW40 + PZ/45	SW40 + PW/40	SW60	SW60 + PZ/68	SW60 + PW/60
SKT/230/170	1600	1460	-	1220	1260	-
SKT/230/210	2490	2220	-	1980	1870	-
SKT/255/240	2500	2500	-	2500	2500	-
	SW40	SW40 + PZ/45	SW40 + PW/40	SW60	SW60 + PZ/68	SW60 + PW/60
SKT NOVA/230/170	1490	1550	870	1100	1140	630
SKT NOVA/230/210	2450	2410	1900	2170	2020	1350
SKT NOVA/255/240	2600	2600	2600	2600	2600	2600

SPECIFICATIONS

WINDING CAPACITY OF ROLL-UP BLINDS

Profile PA43

Maximum Height of the roller shutter including the box (mm)

	SW40	SW40 + PZ/45	SW40 + PW/40	SW60	SW60 + PZ/68	SW60 + PW/60
SK/125	-	970	-	-	-	-
SK/SKP/SP-E/137	-	1410	-	1150	930	-
SK/SKP/SP-E/165	-	2500	1620	2320	2110	1800
SK/SKP/SP-E/180	-	2980	2460	2800	2590	2280
SK/SKP/SP-E/205	-	4020	3900	3850	3630	3340
	SW40	SW40 + PZ/45	SW40 + PW/40	SW60	SW60 + PZ/68	SW60 + PW/60
SKO-P/137	-	1410	-	1150	980	-
SKO-P/165	-	2500	1630	2320	2070	1800
SKO-P/180	-	2980	2460	2800	2590	2330
SKO-P/205	-	4020	3910	3980	3640	3520
	SW40	SW40 + PZ/45	SW40 + PW/40	SW60	SW60 + PZ/68	SW60 + PW/60
SKT/230/170	-	1720	1460	1460	1590	1240
SKT/230/210	-	3120	3000	3250	3080	2440
SKT/255/240	-	4680	4110	4420	4210	3930

Profile PA43 + MKT

Maximum Height of the roller shutter including the box (mm)

	SW40	SW40 + PZ/45	SW40 + PW/40	SW60	SW60 + PZ/68	SW60 + PW/60
SK/SKP/SP-E/165	-	1600	1190	1510	1330	1020
SK/SKP/SP-E/180	-	2460	1810	1900	2120	1600
SK/SKP/SP-E/205	-	2500	2500	2500	2500	2500
	SW40	SW40 + PZ/45	SW40 + PW/40	SW60	SW60 + PZ/68	SW60 + PW/60
SKO-P/165	-	1600	1190	1510	1130	1020
SKO-P/180	-	2460	1810	1900	2120	1600
SKO-P/205	-	2500	2500	2500	2500	2500
	SW40	SW40 + PZ/45	SW40 + PW/40	SW60	SW60 + PZ/68	SW60 + PW/60
SKT/230/170	-	1460	-	1290	1250	-
SKT/230/210	-	2300	-	2040	1870	-
SKT/255/240	-	2500	-	2500	2500	-
	SW40	SW40 + PZ/45	SW40 + PW/40	SW60	SW60 + PZ/68	SW60 + PW/60
SKT NOVA/230/170	-	1290	770	1070	900	560
SKT NOVA/230/210	-	2430	1910	2210	2000	1310
SKT NOVA/255/240	-	2600	2600	2600	2600	2600

SPECIFICATIONS

WINDING CAPACITY OF ROLL-UP BLINDS

Profile PA52

Maximum Height of the roller shutter including the box (mm)

	SW60	SW60 + PZ/68	SW60 + PW/60
SK/SKP/SP-E/137	900	580	-
SK/SKP/SP-E/165	1590	1380	1410
SK/SKP/SP-E/180	2060	1800	1480
SK/SKP/SP-E/205	2700	2330	2440
	SW60	SW60 + PZ/68	SW60 + PW/60
SKO-P/137	850	640	-
SKO-P/165	1640	1380	1410
SKO-P/180	2060	1860	1900
SKO-P/205	2700	2390	2440
	SW60	SW60 + PZ/68	SW60 + PW/60
SKT/230/170	1170	910	950
SKT/230/210	2280	2020	1970
SKT/255/240	3230	2870	2940

Profile PA52 + MKT

Maximum Height of the roller shutter including the box (mm)

	SW60	SW60 + PZ/68	SW60 + PW/60			
SKT/230/170	910	700	-			
SKT/230/210	1450	1450	-			
SKT/255/240	2450	2400	-			
	SW40	SW40 + PZ/45	SW40 + PW/40	SW60	SW60 + PZ/68	SW60 + PW/60
SKT NOVA/230/170	-	-	-	550	550	550
SKT NOVA/230/210	-	-	-	1610	1300	1350
SKT NOVA/255/240	-	-	-	2600	2600	2360

Profile PA55

Maximum Height of the roller shutter including the box (mm)

	SW60	SW60 + PZ/68	SW60 + PW/60
SK/SKP/SP-E/137	-	-	-
SK/SKP/SP-E/165	960	1070	-
SK/SKP/SP-E/180	1400	1510	1170
SK/SKP/SP-E/205	1970	2020	1850
	SW60	SW60 + PZ/68	SW60 + PW/60
SKO-P/137	-	-	-
SKO-P/165	1010	1070	-
SKO-P/180	1400	1510	1170
SKO-P/205	1910	2020	1910
	SW60	SW60 + PZ/68	SW60 + PW/60
SKT/230/170	790	630	-
SKT/230/210	1580	1580	1420
SKT/255/240	2260	2370	2270

Solar sets contain a battery, which can be mounted inside the boxes or outside, in a place sheltered from direct weather. If the battery is installed inside the boxes, the winding capacity of the external roller shutter system is changed and is close to the values declared for a roller shutter with an integrated rolling mosquito net. Please verify the size of the boxes when configuring the product, or increase it by one Size when mounting the batteries inside the roller shutter boxes.

SPECIFICATIONS

WINDING CAPACITY OF EXTRUDED PROFILES

Profile PE41

Maximum Height of the roller shutter including the box (mm)

	SW40	SW40 + PZ/45	SW40 + PW/40	SW60	SW60 + PZ/68	SW60 + PW/60
SK/SKP/SP-E/137	-	1750	1650	1690	1400	1230
SK/SKP/SP-E/165	-	2000	1900	2190	1850	1480
SK/SKP/SP-E/180	-	2880	2420	3180	2640	2700
SK/SKP/SP-E/205	-	4020	3900	3850	3630	3340
	SW40	SW40 + PZ/45	SW40 + PW/40	SW60	SW60 + PZ/68	SW60 + PW/60
SKO-P/137	-	1100	-	960	650	-
SKO-P/165	-	1610	1400	1530	1410	1150
SKO-P/180	-	2030	1780	2150	1860	1570
SKO-P/205	-	3070	2790	2700	2450	2500

Profile PE55

Maximum Height of the roller shutter including the box (mm)

	SW60	SW60 + PZ/68	SW60 + PW/60	SW70	SW70 + PZ/78	SW70 + PW/70 + PZ/710
SK/165	1010	850	-	-	-	-
SK/180	1080	1190	1220	-	-	-
SK//205	1800	1750	1800	-	-	-
SK/250	2650	2810	2940	2870	2810	2560
SK/250 + KBS	2650	2760	2780	2590	2650	2500
SK/300	4270	4320	4480	4380	4380	4090
SK/300 + KBS	4930	4430	4640	4540	4540	4480

WINDABILITY OF GANTRY PROFILES

Profile PA55

Maximum Height of the roller shutter including the box (mm)

	SW60	SW60 + PZ/68	SW60 + PW/60	SW70	SW70 + PZ/78	SW70 + PW/70 + PZ/710
SK/250	3140	3140	3110	3200	3250	2940
SK/250 + KBS	3090	3090	3110	3030	3030	2830
SK/300	4650	5000	4970	4820	5000	4640
SK/300 + KBS	4980	5000	-	5000	5000	5000
SK/SKP/SP-E/205	-	4020	3900	3850	3630	3340

Profile PA77

Maximum Height of the roller shutter including the box (mm)

	SW70 + PWA70 + WA70	SW70 + PWA70 + WB
SK/250	1610	1790
SK/250 + KBS	1610	1790
SK/300	2460	2760
SK/300 + KBS	3080	3300
SK/350	4920	-