

2024



**INTERNAL BLINDS
PRICE LIST**



menu

mini slim roller blind	3
mini vegas roller blind	6
free-hanging roller blind	9
free-hanging XL roller blind	12
MAXI roller blind	15
roller blind in cassette sono S/L	18
pvc vegas classic cassette roller blind	22
alu vegas classic cassette roller blind	26
roller blind in alu vegas profile cassette	30
dekolux roller blind (for roof windows)	34
day and night mini blind	37
day and night mini vegas blind	41
day and night mini - typical	43
day and night free-hanging blind	46
day and night free-hanging MAXI blind	49
day and night blind in alu classic cassette	53
day and night blind in alu profile cassette	57
free-hanging roller blind day and night in half-casket - typical	59
roller blind in cassette sono S/L	62
ombra electric shutter in case	66
roman blind	71
pleated blind vegas plisse [for standard windows].	76
pleated blind cosimo / cosimo one [for standard windows].	81
pleated blind - typical	83
pleated blind cosimo one [for roof windows].	88
vegas plisse pleated roller blind [for roof windows].	93
accessories	95
winding	98

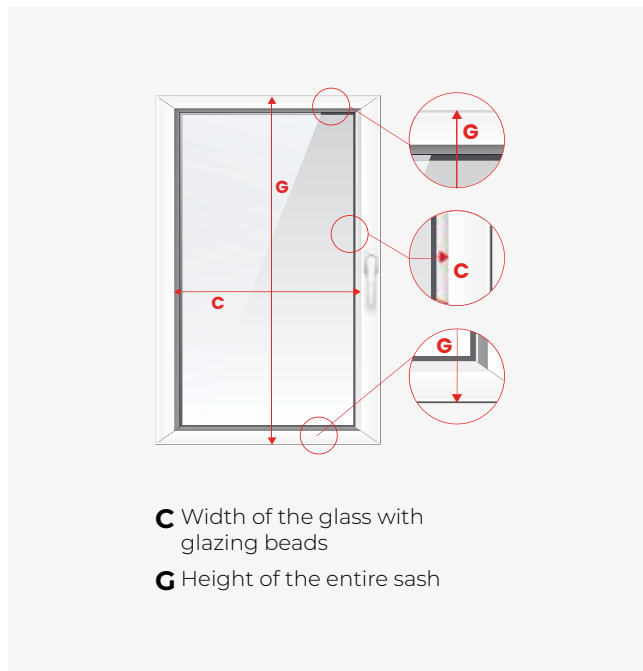
MINI SLIM ROLLER BLIND

- » The roller blind is standardly equipped with magnets and non-invasive metal upper hangers.
- » It is possible to order longer hooks for windows with vents (must be noted on the order).
- » Operated by a chain.
- » For balcony window blinds with patterned fabrics where the height exceeds 180 cm, it is necessary to reverse the fabric (pattern).
- » The maximum width of the roller blind is specified in the table.



MINI SLIM ROLLER BLIND

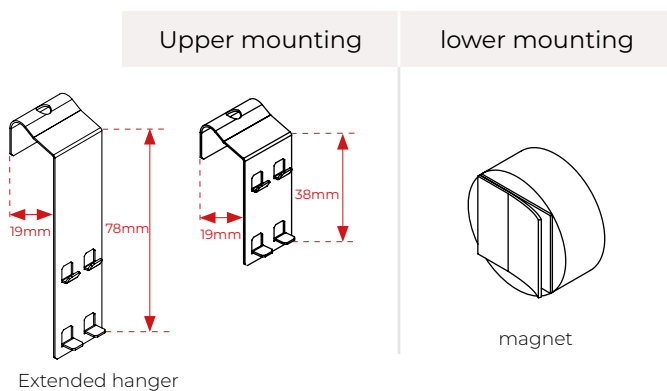
MEASUREMENT



The given width will be the fabric dimension, which will be increased by the mechanisms (4 cm).

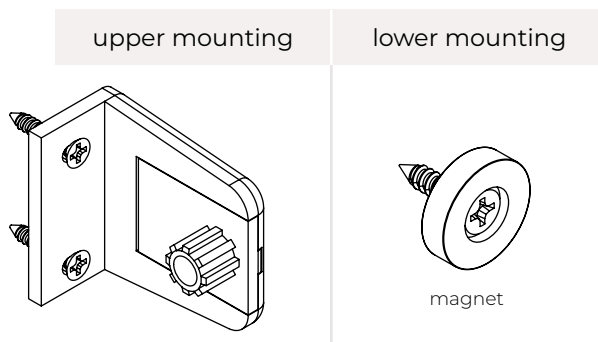
INSTALLATION

non-invasive ➤ The roller blind is hung on the window sash using non-invasive metal hangers*



*available with standard or extended hanger

invasive ➤ The roller blind is screwed to the glazing beads using mounting screws (included in the set)



MINI SLIM ROLLER BLIND

	GR. I	GR. II	GR. III	GR. IV
	SALSA I TANGO I	A600 (Kamila) EDEN I, II, III	A900 B300, 400, 800, 900 C100 MGR, MAL SAMBA I	C300 B700 B1000 A600 FR
width cm				
50	37	52	74	93
60	44	58	86	108
70	50	69	99	125
80	54	77	108	142
90	59	82	118	162
100	68	87	125	179
110	72	93	135	196
120	78	98	142	214
130	84	101	153	230
140	89	107	160	249
150	96	110	165	257

Standard hardware colors: white, brown

SURCHARGES

- » above 170 cm height 30%
- » above 200 cm height 40%
- » above 250 cm height 50%
- » 9 cm valance from the same material 21,00zł/m
- » 9 cm valance from different material 32,00zł/m
- » print on the material page 73

ELECTRIC CONTROL

- » battery drive TM15LE 390zł
- » 1-channel remote control 75zł
- » 15-channel remote control 95zł

COLOURS

white



brown



NOTE!

In the Eden collection, materials may appear under two different names, e.g., ED 139 or ED 039, but they are the same materials.

The maximum height of the roller blind with fabrics: page 98.

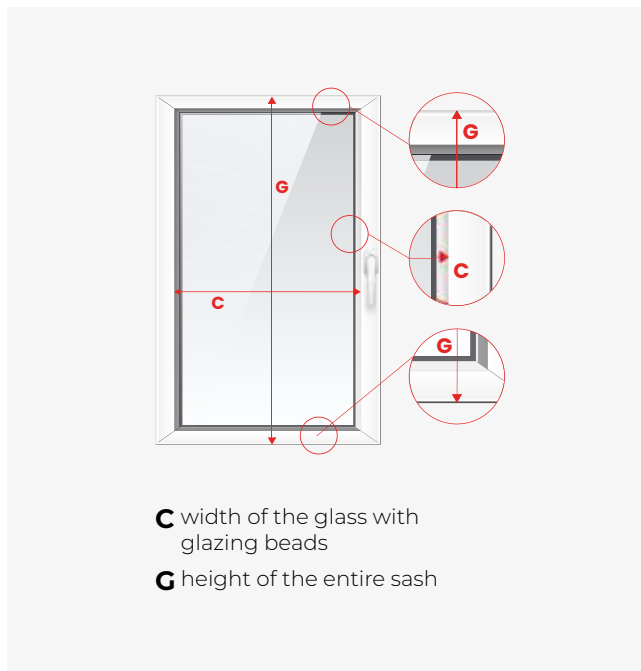
MINI VEGAS ROLLER BLIND

- » The roller blind is standardly equipped with string guides and non-invasive metal hangers.
- » Operated by a chain.
- » The maximum width of the roller blind is specified in the table.
- » For balcony window blinds with patterned fabrics where the height exceeds 180 cm, it is necessary to reverse the fabric (pattern).
- » It is possible to order longer hooks for windows with vents (must be noted on the order).



MINI VEGAS ROLLER BLIND

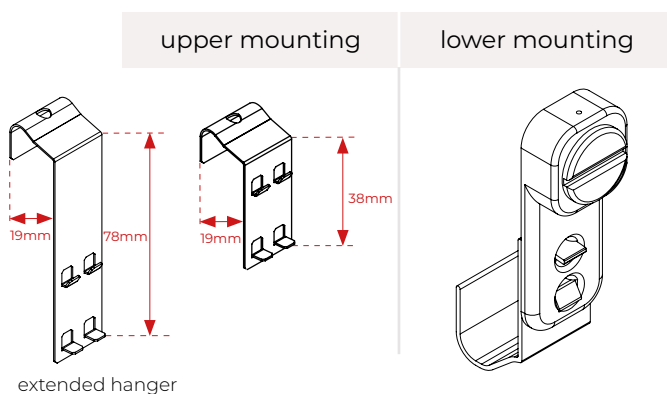
MEASUREMENT



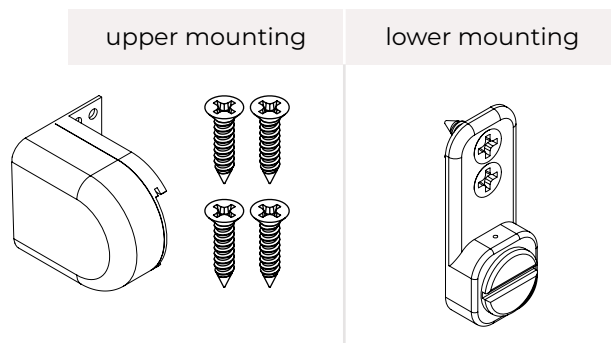
The given width will be the fabric dimension, which will be increased by the mechanisms (3.5 cm).

INSTALLATION

non-invasive » The roller blind is hung on the window sash using non-invasive metal hangers.



invasive » The roller blind is screwed to the glazing beads using mounting screws (included in the set)



MINI VEGAS ROLLER BLIND

	GR. I	GR. II	GR. III	GR. IV
	SALSA I TANGO I	A600 (Kamila) EDEN I, II, III	A900 B300, 400, 800, 900 C100 MGR, MAL SAMBA I	C300 B700 B1000 A600 FR
width cm				
50	47	62	86	99
60	54	71	98	113
70	58	79	110	133
80	63	88	120	150
90	71	94	128	168
100	77	99	137	185
110	82	104	147	202
120	89	109	154	220
130	95	112	164	236
140	100	119	173	256
150	107	122	177	263

Standard hardware colors: white, brown

SURCHARGES

- » above 170 cm height 30%
- » above 200 cm height 40%
- » above 250 cm height 50%
- » 9 cm valance from the same material 21,00zł/m
- » 9 cm valance from different material 32,00zł/m
- » fittings: golden oak, mahogany, anthracite, pine, oak swamp, walnut, winchester 20%
- » Print on the material page 73

DISCOUNTS

- » invasive installation 6,00zł/ pcs.

COLOURS

white



pine



winchester



golden oak



mahogany



swamp oak



brown



anthracite



NOTE!

In the Eden collection, materials may appear under two names, e.g., ED 139 or ED 039, but they are the same materials.

The maximum height of the roller blind with fabrics: page 98.

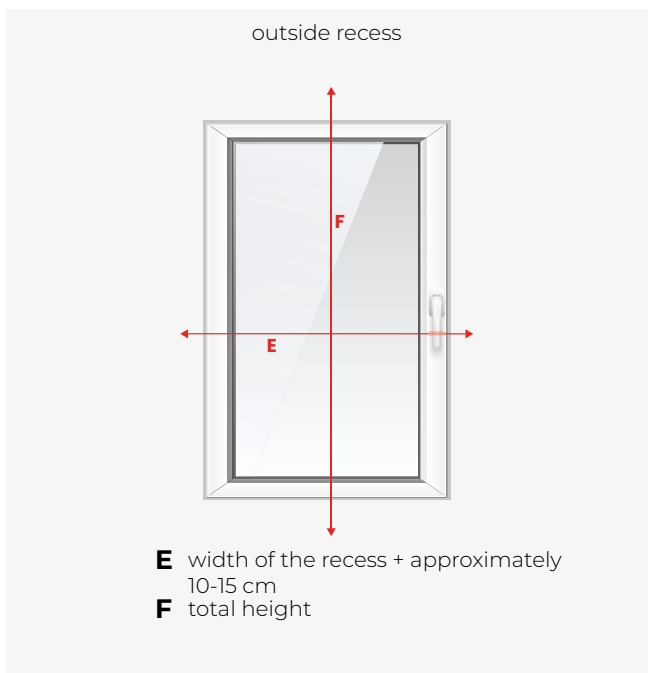
FREE-HANGING ROLLER BLIND

- » Fits any window, can cover large areas
- » Controlled with a chain.
- » For larger dimensions where both width and height exceed the length of a fabric beam, seaming is required (for an additional fee). **Seaming is only available for fabrics from the EDEN and A600 groups.**
- » For larger dimensions, consider the available widths of fabric beams in the respective color. Beam widths are specified in the color swatch book.
- » The maximum width of the blind is determined by the table.
- » For balcony window blinds using patterned fabrics where the height exceeds 180 cm, fabric (pattern) reversal is necessary.

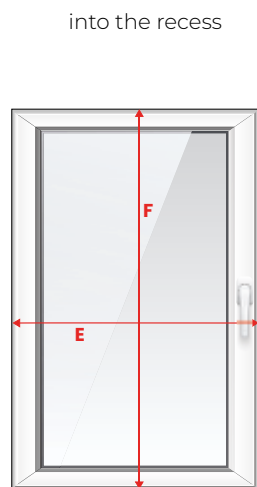


FREE-HANGING ROLLER BLIND

MEASUREMENT



The provided width will be the fabric dimension. This measurement will be increased by the mechanisms (3.5 cm).

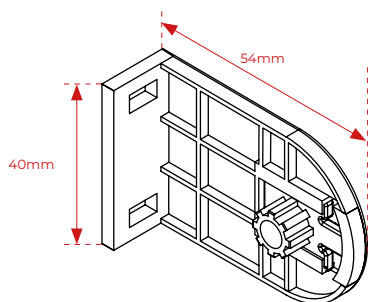


The provided width will be the overall dimension of the blind, to which the fabric will be adjusted, minus the mechanisms (3.5 cm).

INSTALLATION

invasive ➤ Recessed roller blind mounted with brackets to the wall, ceiling, or window recess.

top mounting



COLOURS

white



brown



* In the case of using an electric drive, the roller blind will be equipped with a support profile, and installation will be done using clips.

FREE-HANGING ROLLER BLIND

	GR. I	GR. II	GR. III	GR. IV
	SALSA I TANGO I	A600 (Kamila) EDEN I, II, III	A900 B300, 400, 800, 900 C100 MGR, MAL SAMBA I	C300 B700 B1000 A600 FR
50	40	55	79	92
60	46	62	92	107
70	52	72	104	124
80	56	80	112	140
90	62	86	122	160
100	70	92	132	177
110	74	96	139	195
120	80	101	149	212
130	87	105	158	220
140	93	109	165	229
150	99	113	172	248
160	105	120	182	256
170	110	123	191	299
180	118	128	201	317
190	122	134	208	335
200	128	137	217	352
210	135	142	227	388
220	140	147	235	408
230	152	153	244	435
240	195	196	287	486
250	197	201	298	504
260	201	205	304	521
270	206	212	312	537
280	208	218	319	560
290	215	222	328	575
300	220	228	332	586

Standard hardware colors: white, brown**

**Shaded area: blinds made on a 38 mm tube, available hardware color is white; other blinds made on a 24 mm tube.

Recommended maximum area for the blind is 5 m².

SURCHARGES

- » above 170 cm height 30%
- » above 200 cm height 40%
- » above 250 cm height 50%
- » valance height 12.5 cm from the same material 21,00zł/m
- » valance height 12.5 cm from a different material 32,00zł/m
- » fabric seaming 32,00zł per piece
- » Print on the material page 73

ELECTRIC CONTROL

- » Battery-operated drive TM20LE 390zł
- » 1-channel remote control 75zł
- » 15-channel remote control 95zł

NOTE!

In the Eden collection, materials may appear under two names, e.g., ED 139 or ED 039, but they are the same materials.

The maximum height of the roller blind with fabrics: page 98.

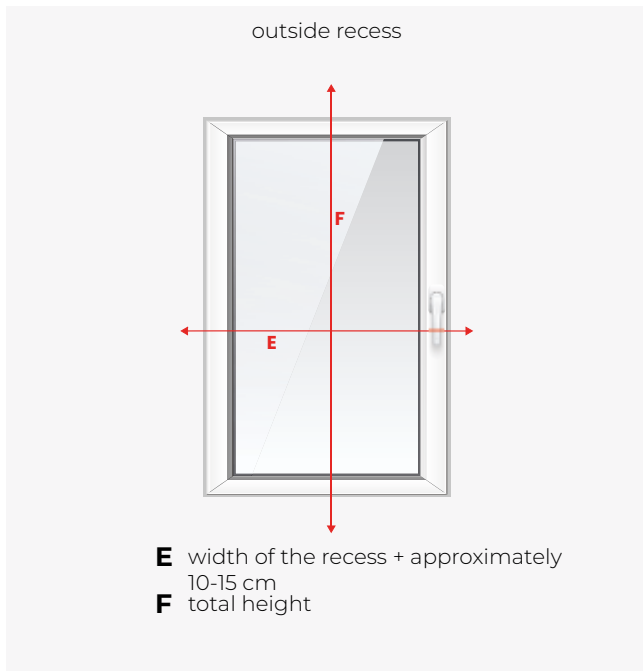
FREE-HANGING XL ROLLER BLIND

- » Fits any window, can cover large areas.
- » Controlled with a chain.
- » For larger dimensions where both width and height exceed the length of a fabric beam, seaming is required (for an additional fee). **Seaming is only available for fabrics from the EDEN and A600 groups.**
- » For larger dimensions, consider the available widths of fabric beams in the respective color. Beam widths are specified in the color swatch book.
- » The maximum width of the blind is determined by the table.
- » For balcony window blinds using patterned fabrics where the height exceeds 180 cm, fabric (pattern) reversal is necessary.

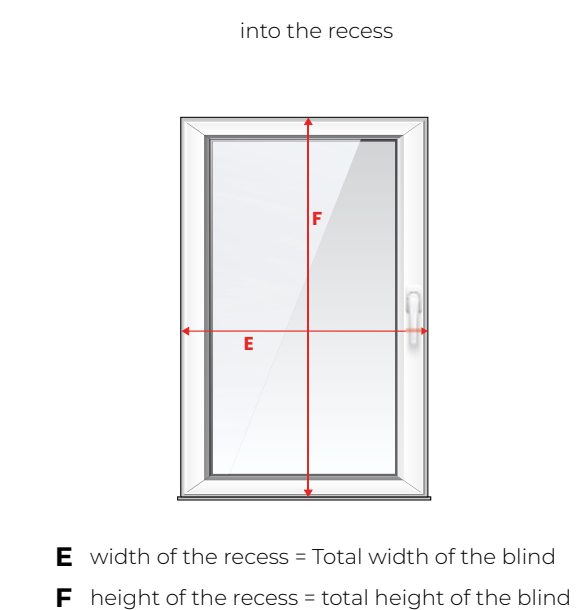


FREE-HANGING XL ROLLER BLIND

MEASUREMENT



The provided width will be the fabric dimension. This measurement will be increased by the mechanisms (3.5 cm).

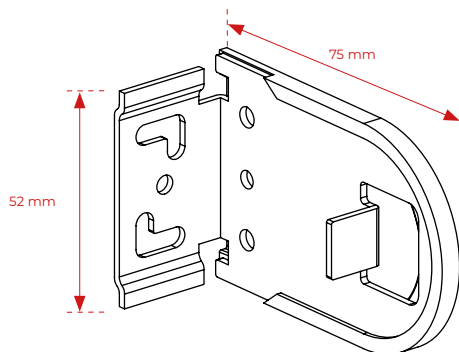


The provided width will be the overall dimension of the blind, to which the fabric will be adjusted, minus the mechanisms (3.5 cm).

INSTALLATION

invasive ➤ Recessed roller blind mounted with brackets to the wall, ceiling, or window recess.

top mounting



COLOURS

white



FREE-HANGING XL ROLLER BLIND

	GR. I	GR. II	GR. III	GR. IV
	SALSA I TANGO I	A600 (Kamila) EDEN I, II, III	A900 B300, 400, 800, 900 C100 MGR, MAL SAMBA I	C300 B700 B1000 A600 FR
50	210	263	297	321
60	215	270	306	334
70	220	277	316	348
80	225	284	326	361
90	231	291	335	376
100	235	298	345	389
110	241	306	355	403
120	246	312	365	417
130	252	319	375	431
140	256	326	385	444
150	261	333	395	458
160	267	341	405	472
170	271	348	414	486
180	277	354	424	499
190	282	361	434	513
200	288	369	444	527
210	292	376	454	540
220	297	383	464	554
230	303	390	474	568
240	307	396	484	582
250	313	404	494	595
260	318	411	504	610
270	324	418	513	623
280	328	425	523	637
290	333	432	533	650
300	339	439	543	665

Standard hardware colors: white

SURCHARGES

» above 170 cm height	30%
» above 200 cm height	40%
» above 250 cm height	50%
» fabric seaming	32,00zł per piece
» Print on the material	page 73

NOTE!

In the Eden collection, materials may appear under two names, e.g., ED 139 or ED 039, but they are the same materials.

The maximum height of the roller blind with fabrics: page 98.

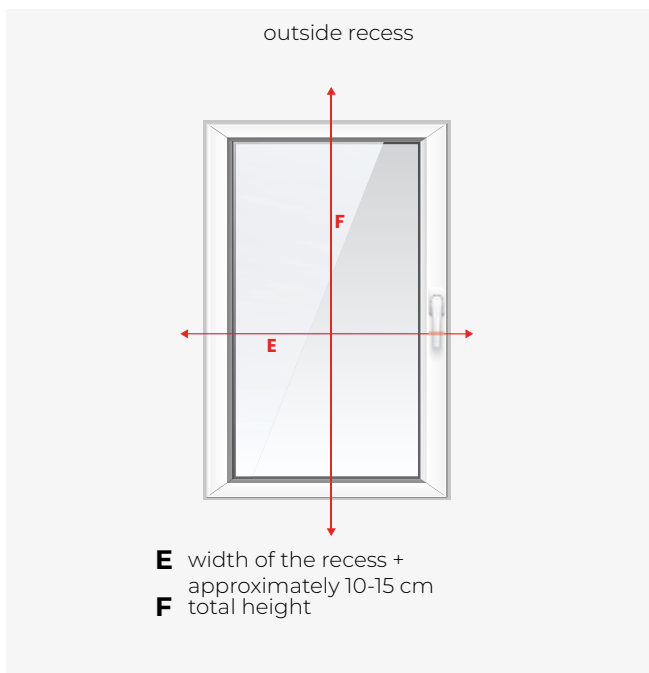
MAXI ROLLER BLIND

- » Aluminum cassette system.
- » Controlled with a chain.
- » For larger dimensions where both width and height exceed the length of a fabric beam, seaming is required (for an additional fee). **Seaming is only available for fabrics from the EDEN and A600 groups.**
- » For larger dimensions, consider the available widths of fabric beams in the respective color. Beam widths are specified in the color swatch book.
- » The maximum width of the blind is determined by the table.
- » For balcony window blinds using patterned fabrics where the height exceeds 180 cm, fabric (pattern) reversal is necessary.

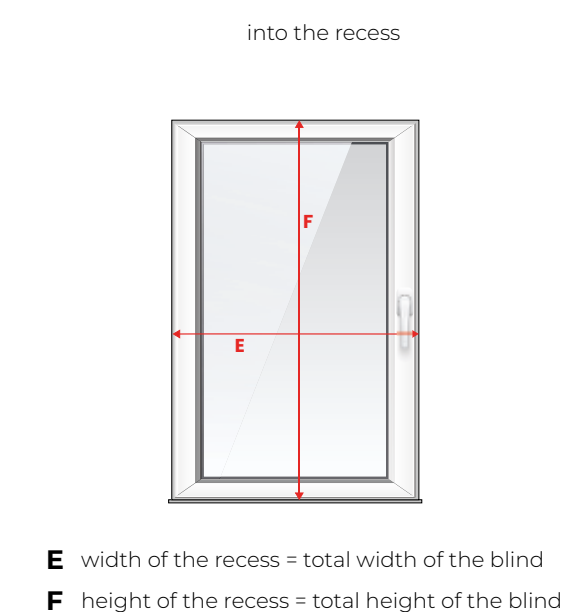


MAXI ROLLER BLIND

MEASUREMENT



The provided width will be the fabric dimension. This measurement will be increased by the mechanisms (5 cm).

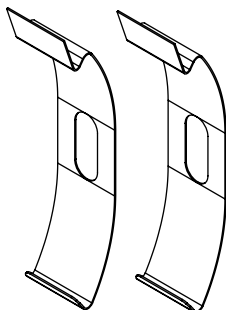


The provided width will be the overall dimension of the blind, to which the fabric will be adjusted, minus the mechanisms (5 cm).

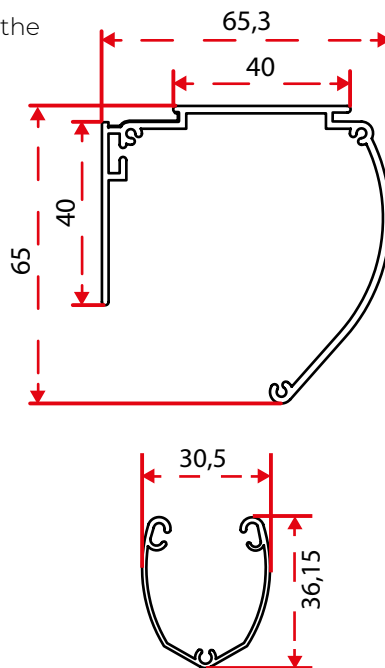
INSTALLATION

invasive ➤ Recessed roller blind mounted with brackets to the wall, ceiling, or window recess.

top mounting



DIMENSIONING



MAXI ROLLER BLIND

	GR. I	GR. II	GR. III	GR. IV
	SALSA I TANGO I	A600 (Kamila) EDEN I, II, III	A900 B300, 400, 800, 900 C100 MGR, MAL SAMBA I	C300 B700 B1000 A600 FR
50	113	129	154	165
60	129	147	175	189
70	146	165	198	218
80	159	183	216	244
90	176	200	235	275
100	191	214	254	300
110	206	229	272	327
120	222	243	288	353
130	238	257	310	371
140	254	269	327	390
150	269	285	342	419
160	285	300	363	436
170	301	313	382	489
180	315	328	399	517
190	331	343	419	544
200	346	356	436	571
210	364	371	455	617
220	380	384	473	645
230	399	401	492	683
240	414	416	509	705
250	428	432	529	734
260	440	446	544	763
270	458	462	562	789
280	469	478	581	821
290	486	492	598	846
300	499	507	613	866

width cm

COLOURS

anodized



white



brown



Standard hardware colors: white, brown, anodized
Recommended maximum area for the roller blind is 5 m².

SURCHARGES

- » above 170 cm height 30%
- » above 200 cm height 40%
- » above 250 cm height 50%
- » fabric seaming 32,00zł per piece
- » Print on the material page 73

ELECTRIC CONTROL

- » Battery-operated drive TM25LE 390zł
- » 1-channel remote control 75zł
- » 15-channel remote control 95zł

NOTE!

In the Eden collection, materials may appear under two names, e.g., ED 139 or ED 039, but they are the same materials.

The maximum height of the roller blind with fabrics: page 98.

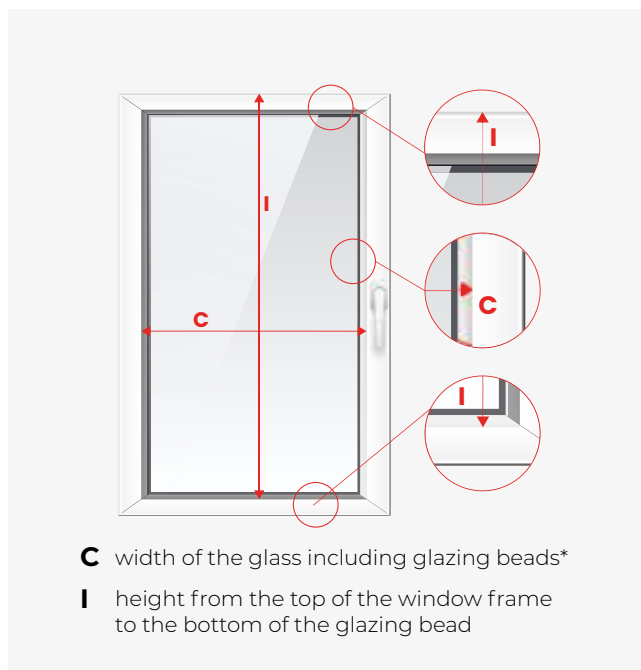
ROLLER BLIND IN CASSETTE SONO S/L

- » Cassette system made of durable PVC that does not yellow.
- » Standardly equipped with 18 mm PVC spatial guides.
- » For balcony window blinds using patterned fabrics where the height exceeds 180 cm, it is necessary to reverse the fabric (pattern).
- » Controlled with a chain.
- » Can be mounted on the window sash regardless of the shape of the glazing bead.
- » The maximum width of the blind is determined by the table.



ROLLER BLIND IN CASSETTE SONO S/L

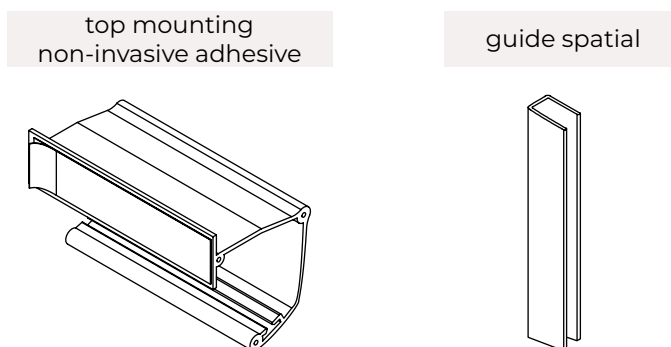
MEASUREMENT



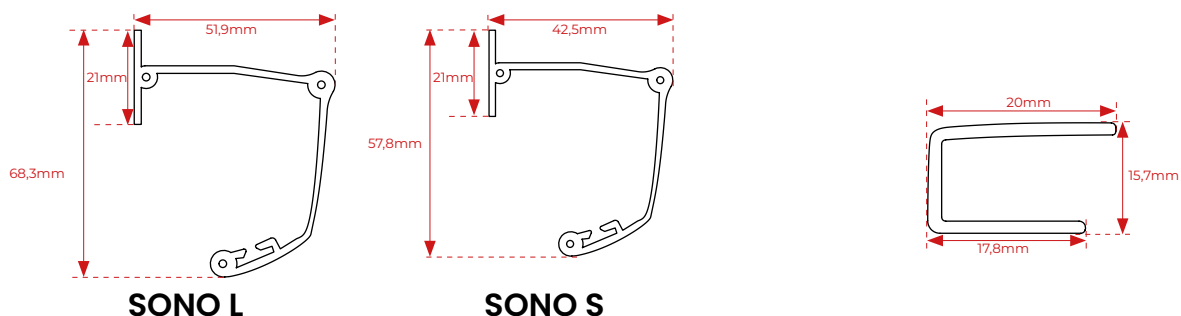
*If the shape of the glazing bead prevents attaching the guides, the base dimension C should be increased by 16 mm. Also, pay attention to the distance of the handle from the glazing bead.

INSTALLATION

non-invasive ➤ The roller blind and guides are attached using foam tape



DIMENSIONING



ROLLER BLIND IN CASSETTE SONO S/L

SONO S

	GR. I	GR. II	GR. III	GR. IV
	SALSA I TANGO I	A600 (Kamila) EDEN I, II, III	A900 B300, 400, 800, 900 C100 MGR, MAL SAMBA I	C300 B700 B1000 A600 FR
width cm				
40	75	94	108	138
50	80	100	119	145
60	86	109	129	160
70	91	117	138	175
80	102	134	156	198
90	108	142	165	212
100	113	151	175	226
110	124	166	193	212
120	130	175	202	264
130	135	183	210	279
140	146	196	228	302
150	152	206	238	317

Standard hardware colors: white,

COLOURS

white



golden oak



walnut



brown



anthracite



SONO L

	GR. I	GR. II	GR. III	GR. IV
	SALSA I TANGO I	A600 (Kamila) EDEN I, II, III	A900 B300, 400, 800, 900 C100 MGR, MAL SAMBA I	C300 B700 B1000 A600 FR
width cm				
40	84	103	124	163
50	89	109	135	170
60	95	118	145	185
70	101	128	156	201
80	115	146	176	226
90	121	156	186	241
100	129	166	198	258
110	141	183	217	282
120	149	194	228	299
130	155	203	238	314
140	167	217	257	339
150	175	229	268	355

Standard hardware colors: white,

white



golden oak



walnut



brown



anthracite



SURCHARGES

» above 170 cm height	30%
» above 200 cm height	40%
» above 250 cm height	50%
» equipment: brown, anthracite, golden oak, walnut	20%

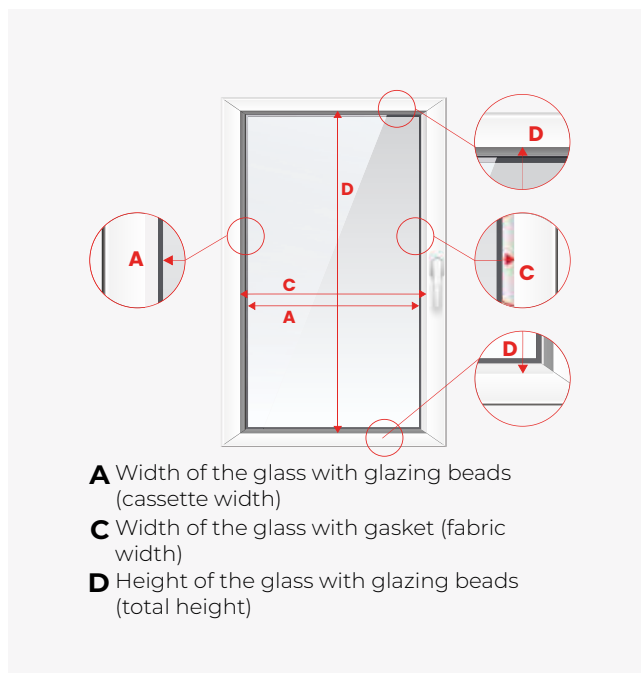
PVC VEGAS CLASSIC CASSETTE ROLLER BLIND

- » Made of durable PVC that does not yellow.
- » Standardly equipped with 30mm flat PVC guides.
- » For highly rounded glazing beads, it is possible to use 32mm curved PVC guides (no surcharge) – this must be noted on the order.
- » The maximum width of the blind is determined by the table.
- » Controlled with a chain.
- » For balcony window blinds using patterned fabrics where the height exceeds 180 cm, fabric (pattern) reversal is necessary.



PVC VEGAS CLASSIC CASSETTE ROLLER BLIND

MEASUREMENT



- A** Width of the glass with glazing beads (cassette width)
- C** Width of the glass with gasket (fabric width)
- D** Height of the glass with glazing beads (total height)

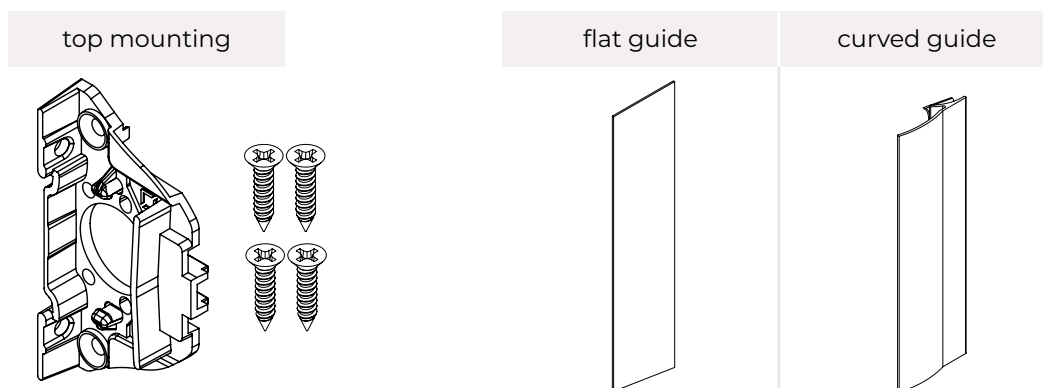
The difference between the widths should be between 35mm and 50mm

NOTE!

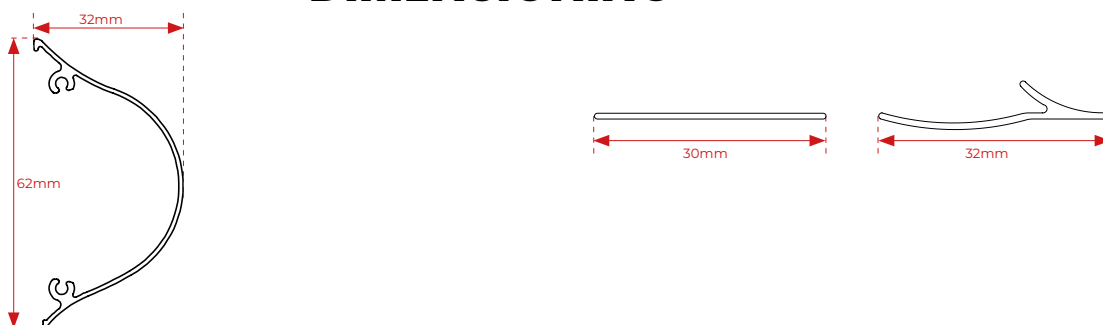
In the case of systems with installation invasive in the light of the glass (between the glazing beads), the width of the so-called „installation gap” must be taken into account in the measurement. The size of the installation clearance is selected individually by the person carrying out the measurement, but we recommend that this value should be between 2 and 4 mm. Maintaining this scheme will allow the material / fins to work freely. We would like to remind you that measurement is always made in three places, choosing the smallest value obtained.

INSTALLATION

invasive ➤ The roller blind is screwed to the glazing beads using mounting screws (included in the set). Guides are adhered with double-sided tape.



DIMENSIONING



PVC VEGAS CLASSIC CASSETTE ROLLER BLIND

		GR. I	GR. II	GR. III	GR. IV
		SALSA I TANGO I	A600 (Kamila) EDEN I, II, III	A900 B300, 400, 800, 900 C100 MGR, MAL SAMBA I	C300 B700 B1000 A600 FR
width cm	40	73	86	108	129
	50	75	88	110	134
	60	82	96	121	146
	70	88	104	133	170
	80	95	111	144	187
	90	101	119	155	204
	100	108	125	166	221
	110	113	134	177	238
	120	121	140	189	257
	130	126	150	201	275
	140	134	156	212	291
	150	139	164	223	311

Standard hardware colors: white

SURCHARGES

- » above 170 cm height 30%
- » above 200 cm height 40%
- » equipment: golden oak, walnut, mahogany, swamp oak, pine, anthracite, winchester 20%
- » Print on the material page 73

DISCOUNTS

- » Roller without guides in standard color* 10,00zł per set
- » Roller without guides in non-standard color* 12,00zł per set

*when the customer has his guides

NOTE!

In the Eden collection, materials may appear under two names, e.g., ED 139 or ED 039, but they are the same materials.

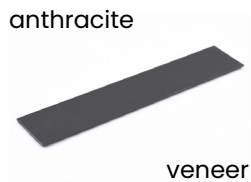
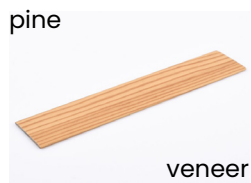
The maximum height of the roller blind with fabrics: page 98.

PVC VEGAS CLASSIC CASSETTE ROLLER BLIND

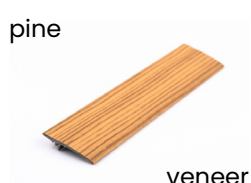
CASSETTE



FLAT GUIDE



CURVED GUIDE



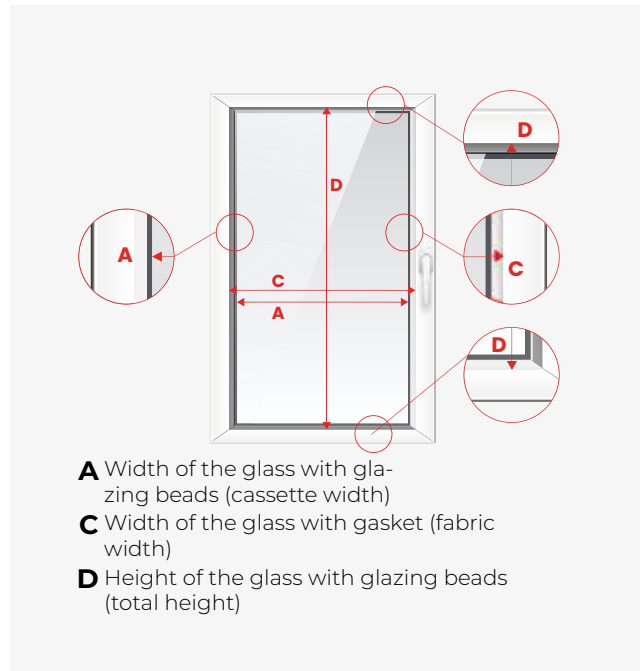
ALU VEGAS CLASSIC CASSETTE ROLLER BLIND

- » Made of durable aluminum.
- » Standardly equipped with 30mm flat PVC guides.
- » For highly rounded glazing beads, it is possible to use 32mm curved PVC guides (no surcharge) – this must be noted on the order.
- » The maximum width of the blind is determined by the table.
- » Controlled with a chain.
- » For balcony window blinds using patterned fabrics where the height exceeds 180 cm, fabric (pattern) reversal is necessary.
- » It is possible to use aluminum guides of 30mm or 37mm (surcharge applies).



ALU VEGAS CLASSIC CASSETTE ROLLER BLIND

MEASUREMENT



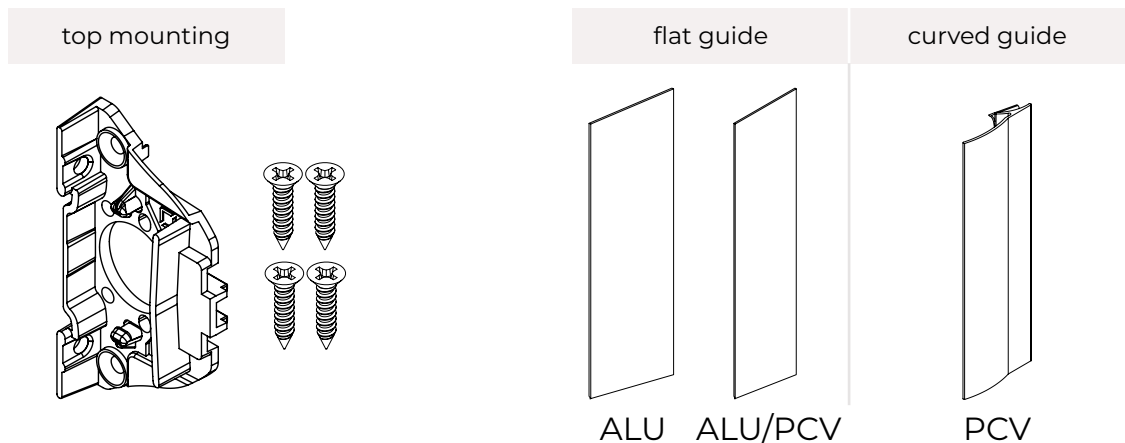
The difference between the widths should be between 35mm and 50mm

NOTE!

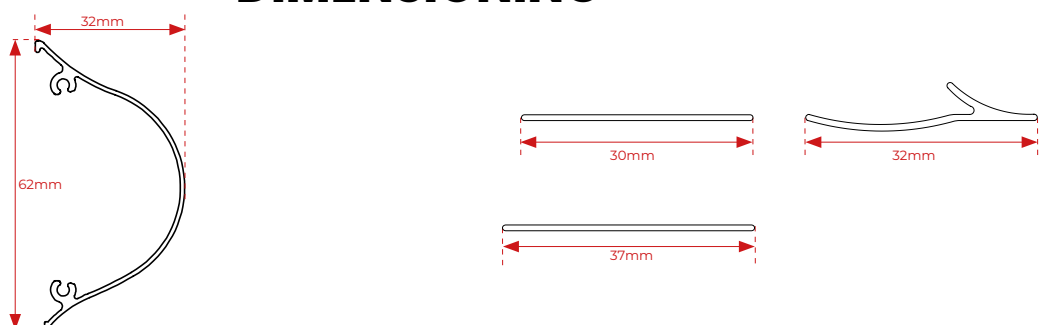
In the case of systems with installation invasive in the light of the glass (between the glazing beads), the width of the so-called „installation gap” must be taken into account in the measurement. The size of the installation clearance is selected individually by the person carrying out the measurement, but we recommend that this value should be between 2 and 4 mm. Maintaining this scheme will allow the material / fins to work freely. We would like to remind you that measurement is always made in three places, choosing the smallest value obtained.

INSTALLATION

invasive ➤ Roller blind screwed to the glazing bars with mounting screws (available in the set). Guides glued on double-sided tape.



DIMENSIONING



ALU VEGAS CLASSIC CASSETTE ROLLER LIND

		GR. I	GR. II	GR. III	GR. IV
		SALSA I TANGO I	A600 (Kamila) EDEN I, II, III	A900 B300, 400, 800, 900 C100 MGR, MAL SAMBA I	C300 B700 B1000 A600 FR
width cm	40	86	101	126	146
	50	88	104	129	154
	60	96	112	142	159
	70	104	122	156	201
	80	111	132	170	221
	90	119	139	182	241
	100	126	150	197	262
	110	135	158	208	283
	120	142	166	223	303
	130	151	176	236	325
	140	158	185	250	344
	150	164	195	263	367

Standard hardware colors: white, brown

SURCHARGES

» above 170 cm height	30%
» above 200 cm height	40%
» equipment: golden oak, walnut, mahogany, swamp oak, pine, anthracite, winchester, grey**	20%
» flat ALU guides 30mm	6zł/m
» flat ALU guides 37mm	11zł/m
» painting the cassette in RAL color (without painting covers and caps)	53,00zł per piece
» Painting elements in RAL color (Caps)	32,00zł per piece
» Print on the material	page 73

**grey colour does not have PVC guide and curved guide

DISCOUNTS

» roller without guides in standard color*	10,00zł per set
» roller without guides in non-standard color*	12,00zł per set

*when the customer has his guides

NOTE!

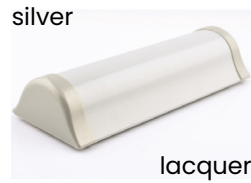
In the Eden collection, materials may appear under two names, e.g., ED 139 or ED 039, but they are the same materials.

The maximum height of the roller blind with fabrics: page 98.

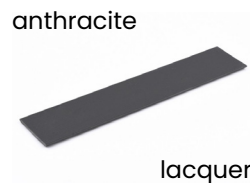
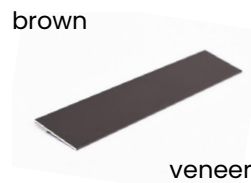
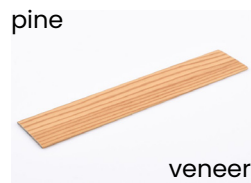
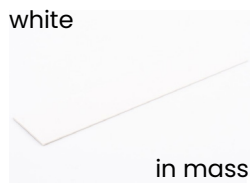
ALU VEGAS CLASSIC CASSETTE ROLLER LIND

COLOURS

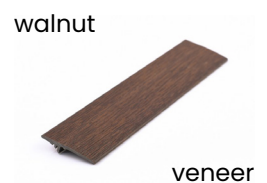
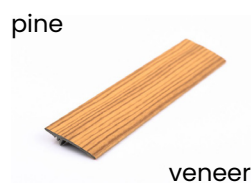
CASSETTE



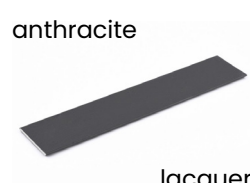
FLAT GUIDE PCV 30



CURVED GUIDE



GUIDE ALU 30/37



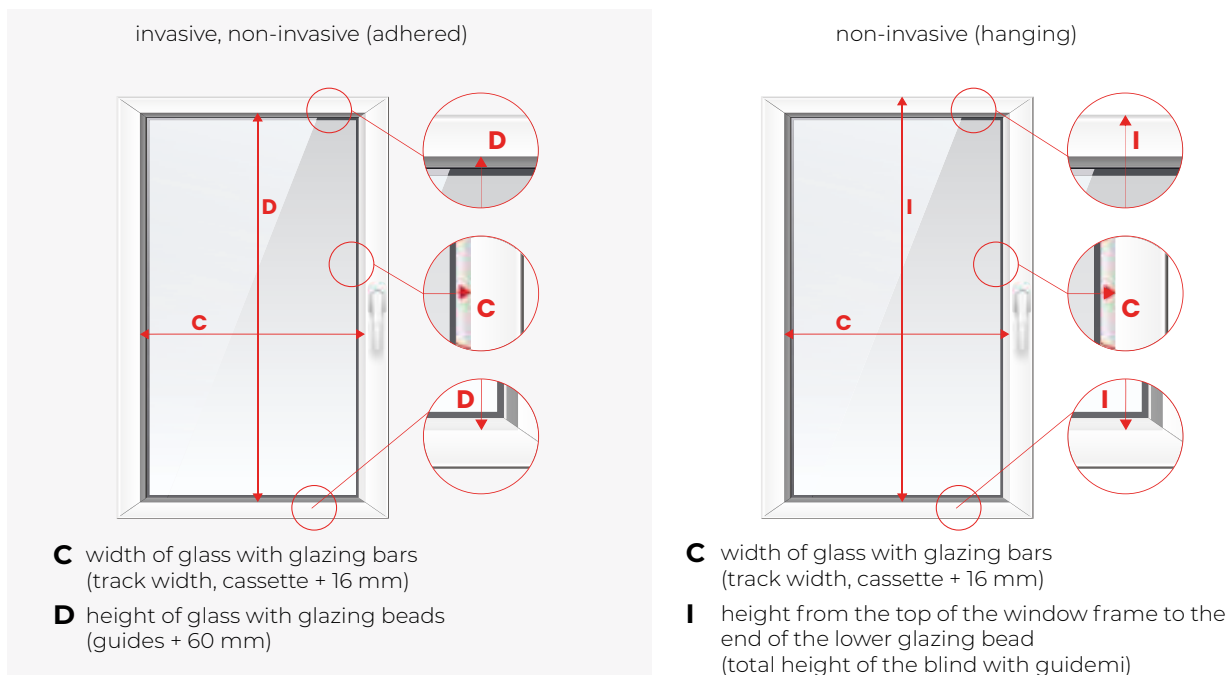
ROLLER BLIND IN ALU VEGAS PROFILE CASSETTE

- » Made of durable aluminum.
- » Standardly equipped with ALU spatial guides.
- » For balcony window blinds using patterned fabrics where the height exceeds 180 cm, it is necessary to reverse the fabric (pattern).
- » The maximum width of the blind is determined by the table.
- » For windows with vents, it is possible to use longer hooks (must be noted on the order).



ROLLER BLIND IN ALU VEGAS PROFILE CASSETTE

MEASUREMENT

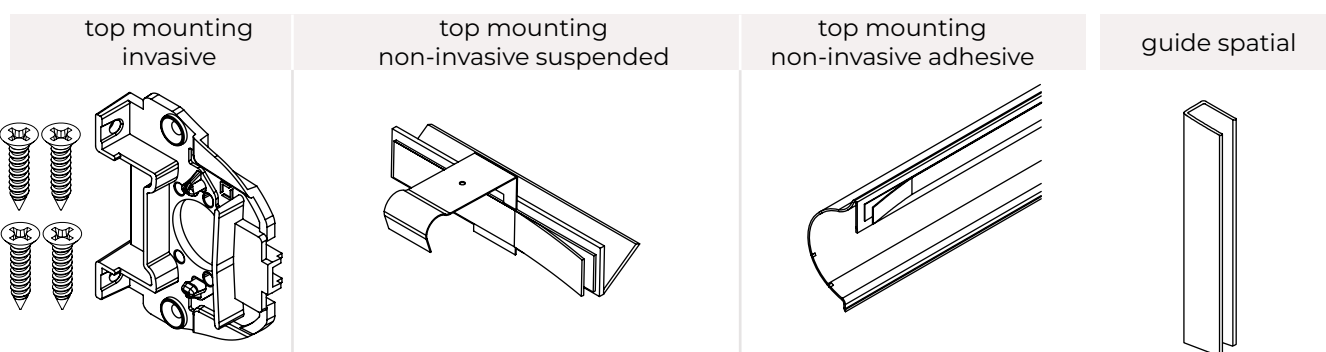


If the shape of the glazing bead prevents attaching the guides (width less than 9mm or curved surface), the base dimension C should be increased by 16mm.

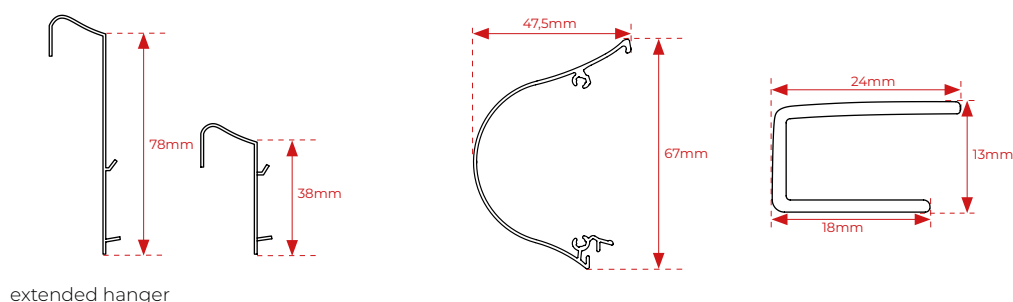


INSTALLATION

- invasive** ➤ The roller blind is screwed to the glazing beads using mounting screws (included in the set). Guides are adhered with foam tape.
- non-invasive hanging** ➤ The roller blind is hung on metal hooks. Guides are adhered with foam tape.
- non-invasive adhered** ➤ The roller blind is adhered above the glazing beads. Guides are adhered with foam tape.



DIMENSIONING



ROLLER BLIND IN ALU VEGAS PROFILE CASSETTE

	GR. I	GR. II	GR. III	GR. IV
	SALSA I TANGO I	A600 (Kamila) EDEN I, II, III	A900 B300, 400 800, 900 C100 MGR, MAL SAMBA I	C300 B700 B1000 A600, FR
width cm				
40	102	115	146	180
50	105	121	152	185
60	113	123	155	191
70	123	140	172	214
80	134	146	187	241
90	136	156	203	265
100	142	166	218	289
110	152	177	235	315
120	160	188	250	340
130	168	200	267	365
140	180	210	283	390
150	188	221	300	413

Standard hardware colors: white, brown, anthracite

SURCHARGES

» above 170 cm height	30%
» above 200 cm height	40%
» above 250 cm height	50%
» equipment: golden oak, walnut, mahogany, swamp oak, pine, anthracite, winchester	20%
» painting the cassette in RAL color (without painting covers and caps)	53,00zł per piece
» Painting elements in RAL color (Caps)	32,00zł per piece
» Print on the material	page 73

DISCOUNTS

» roller without guides in standard color*	14,00zł per set
» roller without guides in non-standard color*	17,00zł per set
» exchange of spatial guides for string guides	7,00zł per set

*when the customer has his guides

NOTE!

In the Eden collection, materials may appear under two names, e.g., ED 139 or ED 039, but they are the same materials.

The maximum height of the roller blind with fabrics: page 98.

ROLLER BLIND IN ALU VEGAS PROFILE CASSETTE

COLOURS

CASSETTE

white



silver



pine



winchester



golden oak



walnut



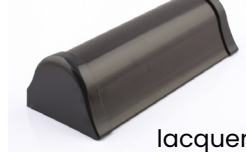
swamp oak



mahogany



brown



anthracite



GUIDE PRZESTRZENNA

white



silver



pine



winchester



golden oak



walnut



swamp oak



mahogany



brown



anthracite



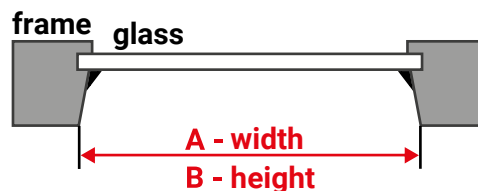
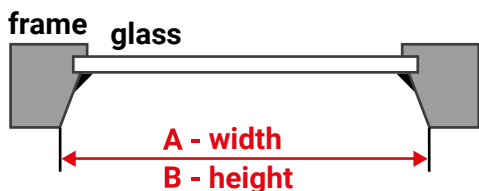
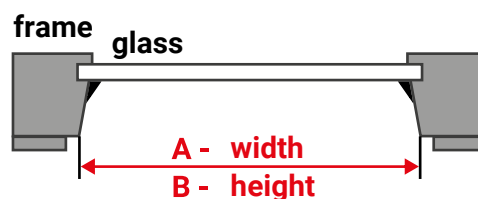
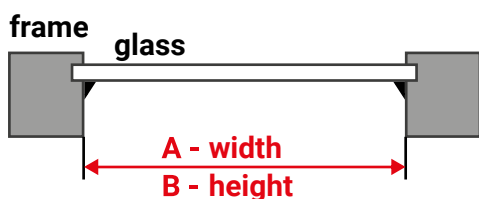
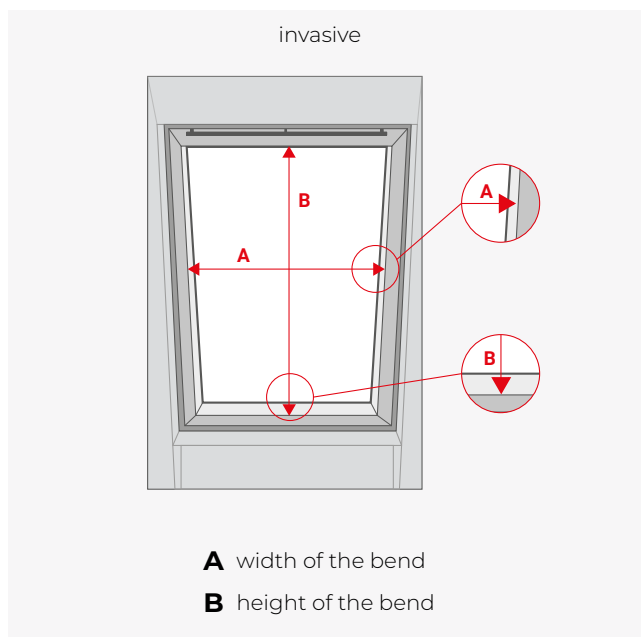
DEKOLUX ROLLER BLIND (FOR ROOF WINDOWS)

- » The roller blind in a cassette with guides made of durable aluminum.
- » Operated by a spring, can be stopped in any position.
- » Dimensions in the table refer to typical windows of the given companies; for other manufacturers or non-standard dimensions, the price is taken for the nearest higher dimension.



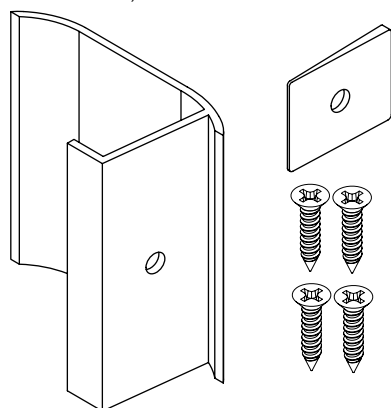
DEKOLUX ROLLER BLIND (FOR ROOF WINDOWS)

MEASUREMENT



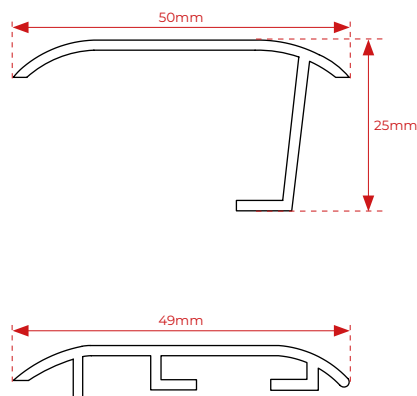
INSTALLATION

invasive ➤ Guides are screwed using mounting screws (included in the set).



Correcting Wedge:
wedges included in the kit, recommended to use one wedge for each hole in the guide.
The wedges are installed between the guide and the window.

DIMENSIONING



NOTE! If the roller shutter works hard, then you need to unscrew the wedge. This can only be determined at the installation stage.

DEKOLUX ROLLER BLIND (FOR ROOF WINDOWS)

WIDTH (MM)	HEIGHT (MM)	GR. I	GR. II	GR. III	GR. IV	
		SALSA I TANGO I	A600 (Kamila) EDEN I, II, III	A900 B300, 400, 800, 900 C100 MGR, MAL SAMBA I	C300 B700 B1000 A600 FR	
383	540	134	136	155	158	VELUX
383	740	140	144	163	165	
493	740	142	146	164	172	
493	940	151	153	173	176	
613	740	151	154	175	180	
613	940	158	162	182	188	
613	1160	165	170	189	198	
613	1362	174	177	191	202	
775	740	175	179	198	204	
775	940	177	182	203	208	
775	1160	185	189	210	217	
775	1362	188	197	218	222	
973	940	187	198	222	229	
973	1160	196	201	227	236	
973	1361	200	206	233	243	
1173	740	207	221	241	254	
1173	940	216	223	250	260	
1173	1160	216	228	260	271	
390	612	134	136	155	158	
390	812	140	144	163	165	
500	812	142	146	164	172	
500	1012	151	153	173	176	
620	812	152	154	175	180	
620	1012	158	162	182	188	
620	1232	174	177	198	202	
780	1012	177	182	203	208	
780	1232	185	189	210	217	
980	1012	187	198	218	229	
980	1231	196	201	227	236	
1180	812	207	207	241	254	

Standard hardware colors: white, brown, silver

Standard hardware colors: white, brown, silver Maximum height of the roller blind in rubberized materials is 170 cm. For non-standard dimensions, we accept the price of the nearest higher VELUX dimension.

SURCHARGES

- » equipment: light pine, dark pine 20%
- » painting the cassette in RAL color (without painting covers and caps) 53,00zł per piece
- » Painting elements in RAL color (Caps) 32,00zł per piece
- » drążek sterujący dł. 2,3m 85,00zł/szt
- » Print on the material page 73

NOTE!

In the Eden collection, materials may appear under two names, e.g., ED 139 or ED 039, but they are the same materials.

DEKOLUX ROLLER BLIND (FOR ROOF WINDOWS)

ADDITIONAL INFORMATION:

- » Number of handles (knobs):
 - Fakro and Roto windows: 2 handles
 - Other manufacturers: 1 handle
- » Corrective Wedges are recommended for windows:
 - Fakro windows - 6 wedges
 - ROTO 90 (degree) windows - 6 wedges
 - ROTO 10 (degree) windows - 4 wedges



Control rod

- Telescopic
- Available in one size
- Dimension before unfolding: 120 cm
- Maximum dimension after unfolding: 230 cm
- Color: stick in black
- End of the stick in gray
- Packed in a case



Handle

COLOURS



white

lacquer



silver

lacquer



light pine

veneer



dark pine

veneer



brown

lacquer

DAY AND NIGHT MINI BLIND

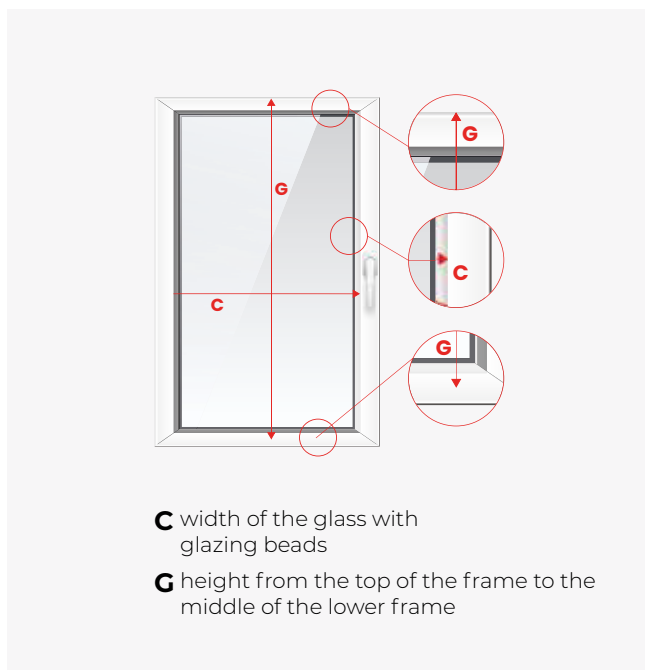
- » The roller blind without a cassette, standardly equipped with string guides, upper PVC hooks, lower ALU hooks
- » Controlled with a chain.
- » For windows with vents, it is possible to use longer hooks (must be noted on the order).

- » The maximum width of the blind is determined by the table.



DAY AND NIGHT MINI BLIND

MEASUREMENT



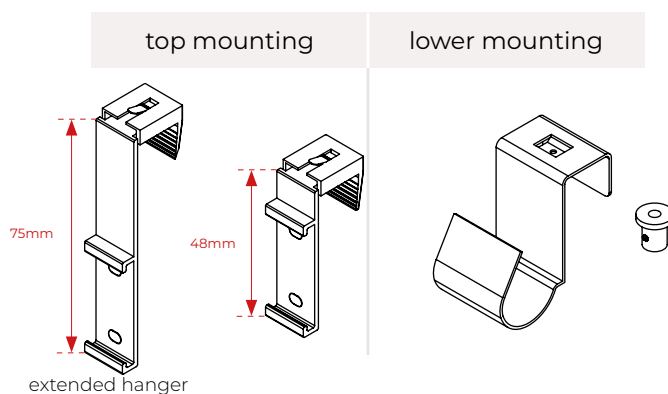
NOTE!

It is possible to install the roller blind on the wall. In this case, the measurement should be performed according to the measurement of free-hanging roller blinds. The roller blind without string guidance, equipped with a double bottom bar. (Must be noted on the order)

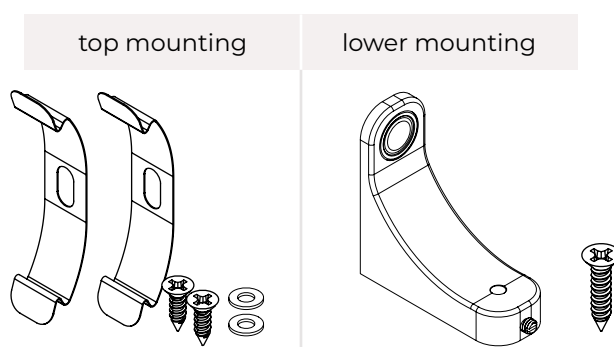
The given width will be the fabric dimension, to which mechanisms (4 cm) will be added.

INSTALLATION

non-invasive ➤ The roller blind is hung on the window sash using non-invasive (upper PVC, lower ALU) hooks.



invasive ➤ The roller blind is screwed to the glazing beads using mounting screws (included in the set).



DAY AND NIGHT MINI BLIND

width cm

	50	60	70	80	90	100	110	120	130	140	150
100	105	112	122	129	138	150	156	165	175	183	195
110	110	119	129	139	149	158	170	177	187	200	208
120	118	125	136	149	158	172	181	191	202	212	224
130	122	133	146	158	168	180	192	203	216	229	241
140	128	139	153	165	179	191	204	217	230	243	257
150	134	147	160	175	187	202	216	229	244	259	272
160	138	154	170	182	198	214	229	243	257	271	285
170	146	160	176	192	206	224	240	255	271	287	303
180	152	168	183	201	217	236	251	268	285	301	319
190	158	174	192	210	227	246	263	281	300	317	335
200	163	182	201	218	237	257	277	292	312	330	351
210	170	187	207	228	247	267	287	305	326	346	367
220	175	196	216	236	257	279	300	319	340	360	388

Standard hardware colors: white, brown

SURCHARGES

» BAHAMA I, III	without surcharges
» BAHAMA II, V, VI, XV, ESP IX, PAPAVERO	10%
» BAHAMA VII, IX, XXIX, ESP I, VIII	30%
» BAHAMA IX FR (flame-retardant fabric)	50%

ELECTRIC CONTROL

» Battery-operated drive TM15LE	390zł
» 1-channel remote control	75zł
» 15-channel remote control	95zł

COLOURS

white



brown



NOTE!

On the order, please specify which roller blinds will be installed next to each other to avoid differences in the arrangement of the stripes. In roller blinds of different heights, it is not possible to achieve the same arrangement of the stripes.

Please note that in Day and Night roller blinds, from a width of 70 cm, the fabric may form a „boat” shape. This is a natural behavior of the fabric. There may be imperfections on the fabric resulting from the nature and properties of the yarn.

Incorrect leveling of the roller blind may cause improper rolling of the fabric, which is not subject to complaints.

The mentioned imperfections cannot be a reason for complaint and should always be known to the future customer.

Winding of day and night fabrics in manual roller blinds page 99

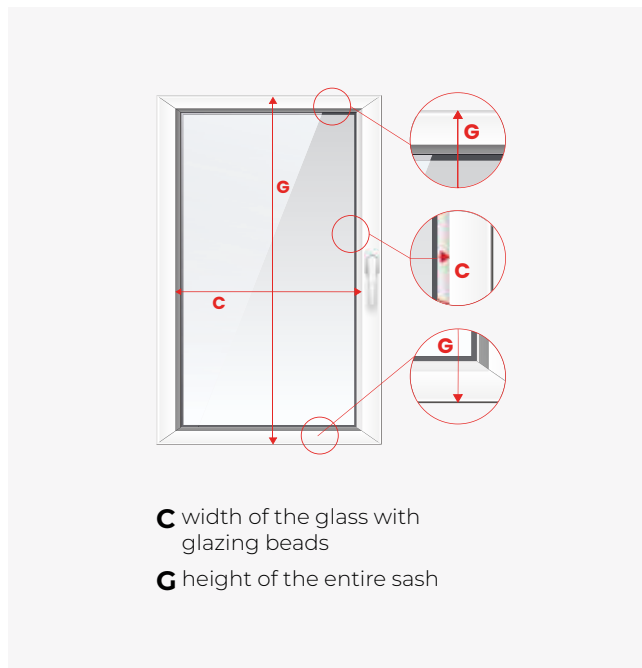
DAY AND NIGHT MINI VEGAS BLIND

- » The roller blind without a cassette, standardly equipped with string guides, upper and lower PVC hooks.
- » Controlled with a chain.
- » For windows with vents, it is possible to use longer hooks (must be noted on the order).
- » Double bottom bar.
- » Maximum dimensions are specified in the table.



DAY AND NIGHT MINI VEGAS BLIND

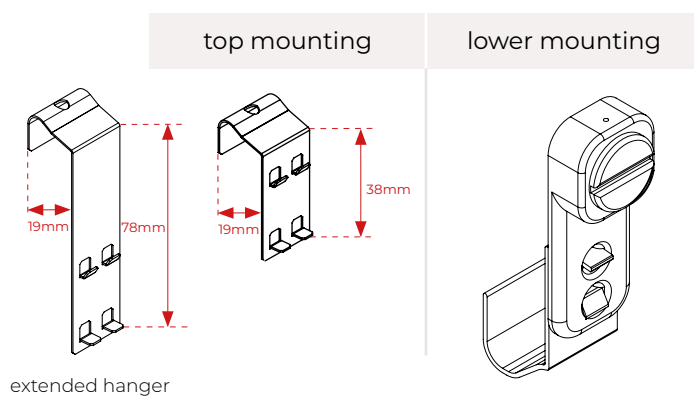
MEASUREMENT



The given width will be the fabric dimension, to which mechanisms (4 cm) will be added.

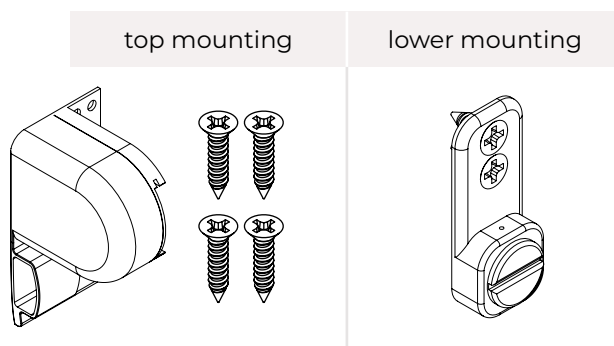
INSTALLATION

non-invasive ➤ The roller blind is hung on the window sash using non-invasive metal hooks.



*Available with standard or extended hook.

invasive ➤ The roller blind is screwed to the glazing beads using mounting screws (included in the set).



DAY AND NIGHT MINI VEGAS BLIND

		width cm										
		50	60	70	80	90	100	110	120	130	140	150
height cm	100	111	121	132	139	151	162	172	181	191	202	214
	110	118	125	138	151	159	172	183	192	204	217	229
	120	123	134	146	158	170	183	196	206	218	230	244
	130	128	139	154	168	180	192	206	218	233	247	261
	140	135	149	162	176	189	204	218	233	247	261	277
	150	139	154	170	185	200	215	230	244	261	277	291
	160	146	162	179	192	208	227	243	259	275	288	304
	170	152	168	185	203	218	237	255	269	287	305	324
	180	158	176	192	210	229	249	265	284	302	318	340
	190	164	181	202	221	237	259	278	296	315	335	355
	200	170	189	208	229	249	269	289	309	329	349	369
	210	176	196	217	237	259	281	302	320	342	365	387
220	181	203	224	247	268	291	313	335	356	378	408	

Standard hardware colors: white, brown

SURCHARGES

» BAHAMA I, III	without surcharges
» BAHAMA II, V, VI, XV, ESP IX, PAPAVERO	10%
» BAHAMA VII, IX, XXIX, ESP I, VIII	30%
» BAHAMA IX FR (flame-retardant fabric)	50%
» equipment: golden oak, mahogany, anthracite, pine, swamp oak, walnut, winchester	20%

ELECTRIC CONTROL

» Battery-operated drive TM15LE	390zł
» 1-channel remote control	75zł
» 15-channel remote control	95zł

DAY AND NIGHT MINI VEGAS BLIND

NOTE!

On the order, please specify which roller blinds will be installed next to each other to avoid differences in the arrangement of the stripes. In roller blinds of different heights, it is not possible to achieve the same arrangement of the stripes.

Please note that in Day and Night roller blinds, from a width of 70 cm, the fabric may form a „boat” shape. This is a natural behavior of the fabric. There may be imperfections on the fabric resulting from the nature and properties of the yarn.

Incorrect leveling of the roller blind may cause improper rolling of the fabric, which is not subject to complaints.

The mentioned imperfections cannot be a reason for complaint and should always be known to the future customer.

COLOURS

white



pine



winchester



golden oak



mahogany



swamp oak



brown



anthracite



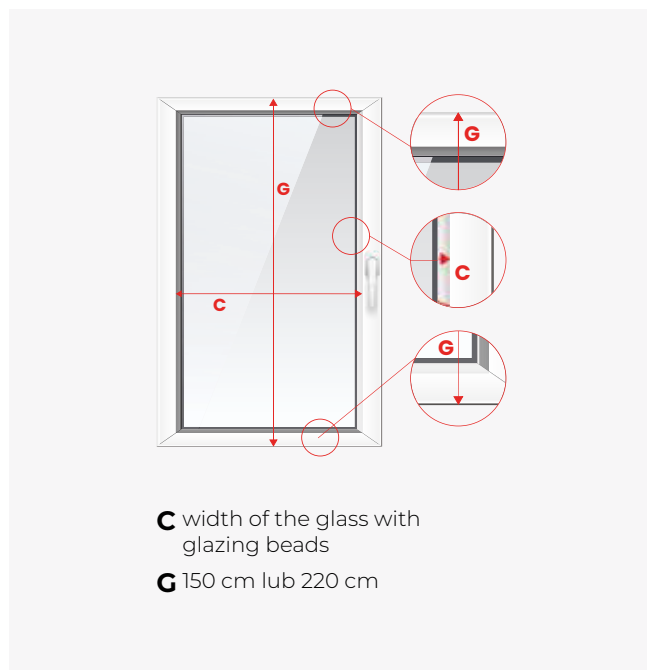
DAY AND NIGHT MINI – TYPICAL

- » The roller blind without a cassette, equipped with PVC hooks.
- » Controlled with a chain.
- » The standard height of the roller blind is 150 cm.
- » Self-assembly set.
- » The maximum width of the roller blind is specified in the table.



DAY AND NIGHT MINI – TYPICAL

MEASUREMENT

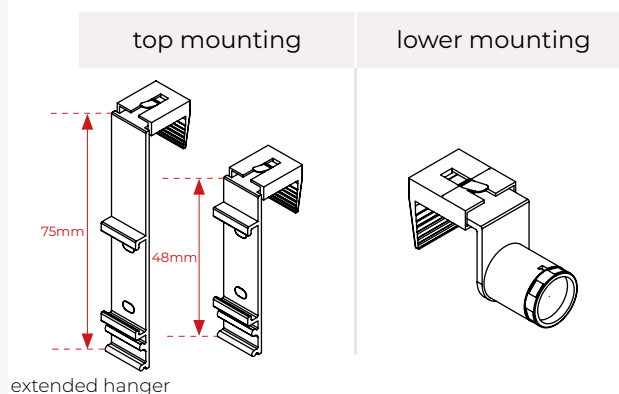


The given width will be the fabric dimension, to which mechanisms (3.5 cm) will be added.

INSTALLATION

non-invasive

➤ The roller blind is hung on the window sash using non-invasive PVC hooks.



Fabric BH I, BH III

Width (cm)	Price (zł)
30 – 40	52
41 – 50	56
51 – 60	60
61 – 70	70
71 – 80	75
81 – 90	82
91 – 100	88
101 – 110	95
111 – 120	101
121 – 130	108
131 – 140	113
141 – 150	121

SURCHARGES

➤ height 220 cm

40%

NOTE!

On the order, please specify which roller blinds will be installed next to each other to avoid differences in the arrangement of the stripes. In roller blinds of different heights, it is not possible to achieve the same arrangement of the stripes.

In Day and Night roller blinds, from a width of 70 cm, the fabric may form a „boat” shape. This is a natural behavior of the fabric. There may be imperfections on the fabric resulting from the nature and properties of the yarn.

Incorrect leveling of the roller blind may cause improper rolling of the fabric, which is not subject to complaints.

The mentioned imperfections cannot be a reason for complaint and should always be known to the future customer.

Standard hardware colors: white, brown

Winding of day and night fabrics in manual roller blinds page 99

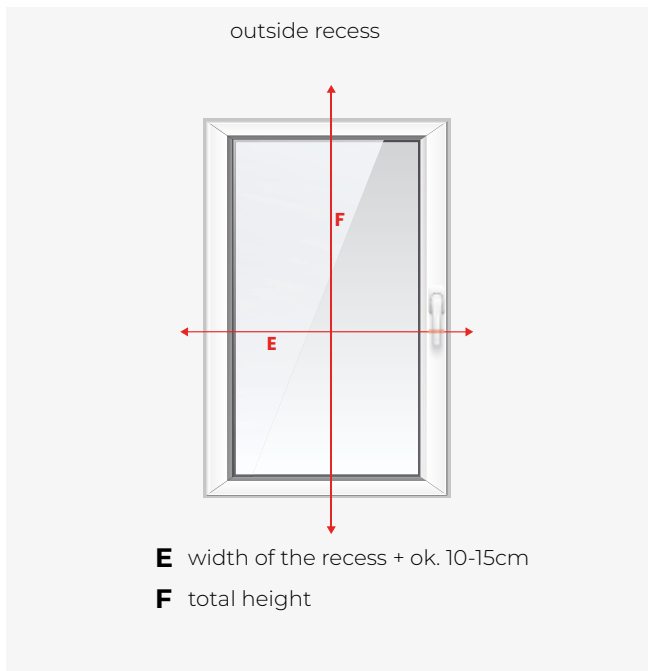
DAY AND NIGHT FREE-HANGING BLIND

- » System of the roller blind not enclosed in a cassette, the material ends with a weighted bar.
- » Controlled with a chain.
- » Fits any window, can cover large areas.
- » It is possible to use a double bar (no extra charge) - must be noted on the order.
- » The maximum width of the blind is determined by the table.
- » The roller blind is equipped with a support profile.

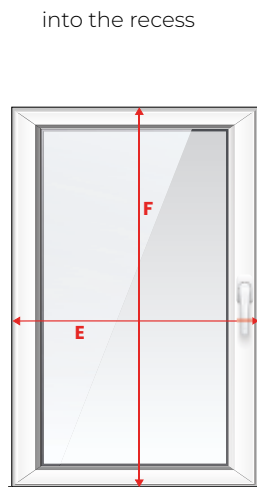


DAY AND NIGHT FREE-HANGING BLIND

MEASUREMENT



The given width will be the fabric dimension. This measurement will be increased by the mechanisms (3.5 cm).



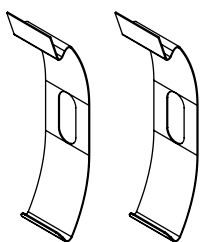
The given width will be the overall dimension of the blind, to which the fabric will be adjusted, minus the mechanisms (3.5 cm).

INSTALLATION

invasive

» The roller blind is screwed on plugs into the wall, ceiling, or window recess.

top mounting



COLOURS

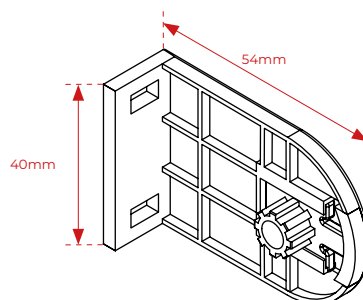
white



brown



DIMENSIONING



DAY AND NIGHT FREE-HANGING BLIND

width cm

	50	60	70	80	90	100	110	120	130	140	150	160	170	180	190	200	210	220	230	240
100	122	132	140	151	160	173	181	191	202	212	223	234	244	255	264	276	285	296	305	315
110	126	136	147	155	165	177	186	197	206	217	229	238	249	260	269	281	289	301	311	320
120	133	140	152	160	172	182	191	202	212	222	234	244	255	264	276	285	296	305	315	327
130	137	147	156	165	176	187	197	206	217	228	238	249	260	269	281	289	301	311	320	331
140	142	152	162	172	181	192	202	212	222	233	244	255	264	276	285	296	305	315	327	336
150	149	156	166	176	186	198	206	217	228	237	249	260	269	281	289	301	311	320	331	342
160	153	162	173	181	191	203	212	222	233	243	255	264	276	285	296	305	315	327	336	346
170	158	166	177	186	197	207	217	228	237	248	260	269	281	289	301	311	320	331	342	352
180	163	173	182	191	202	214	222	233	243	254	264	276	285	296	305	315	327	336	346	357
190	168	177	187	197	206	218	228	237	248	259	269	281	289	301	311	320	331	342	352	363
200	174	182	192	202	212	223	233	243	254	263	276	285	296	305	315	327	336	346	357	367
210	179	187	198	206	217	229	237	248	259	268	281	289	301	311	320	331	342	352	363	372
220	183	192	203	212	222	234	243	254	263	275	285	296	305	315	327	336	346	357	367	378
230	188	198	207	217	228	238	248	259	268	279	289	301	311	320	331	342	352	363	372	383
240	195	203	214	222	233	244	254	263	275	284	296	305	315	327	336	346	357	367	378	388
250	200	207	218	228	237	249	259	268	279	288	301	311	320	331	342	352	363	372	383	393

Standard hardware colors: white, brown

SURCHARGES

» BAHAMA I, III	without surcharges
» BAHAMA II, V, VI, XV, ESP IX, PAPAVERO	10%
» BAHAMA VII, IX, XXIX, ESP I, VIII	30%
» BAHAMA IX FR (flame-retardant fabric)	50%

ELECTRIC CONTROL

» Battery-operated drive TM20LE	390zł
» 1-channel remote control	75zł
» 15-channel remote control	95zł

NOTE!

On the order, please specify which roller blinds will be installed next to each other to avoid differences in the arrangement of the stripes. In roller blinds of different heights, it is not possible to achieve the same arrangement of the stripes.

In Day and Night roller blinds, from a width of 70 cm, the fabric may form a „boat” shape. This is a natural behavior of the fabric. There may be imperfections on the fabric resulting from the nature and properties of the yarn. Incorrect leveling of the roller blind may cause improper rolling of the fabric, which is not subject to complaints.

The mentioned imperfections cannot be a reason for complaint and should always be known to the future customer.

Winding of day and night fabrics in manual roller blinds page 99

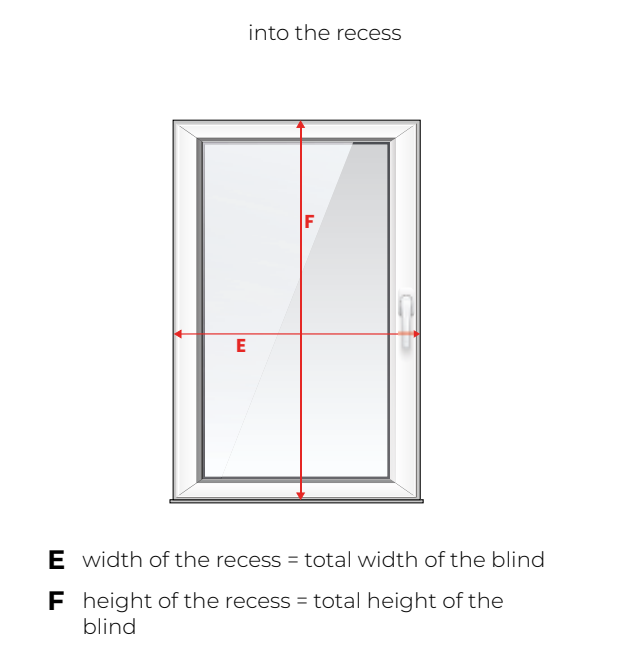
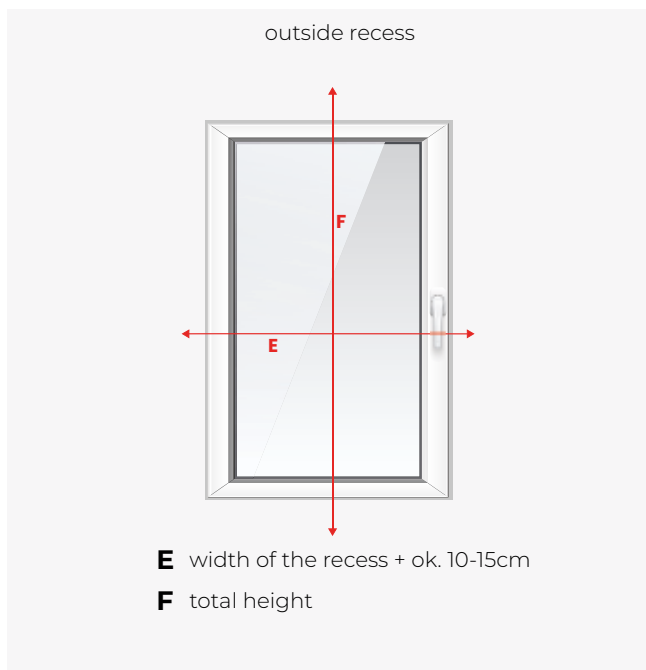
DAY AND NIGHT FREE-HANGING MAXI BLIND

- » Cassette system made of durable aluminum.
- » Fits any window, can cover large areas.
- » Controlled with a chain.
- » The maximum width of the blind is determined by the table.



DAY AND NIGHT FREE-HANGING MAXI BLIND

MEASUREMENT



The given width will be the fabric dimension. This measurement will be increased by the mechanisms (5 cm).

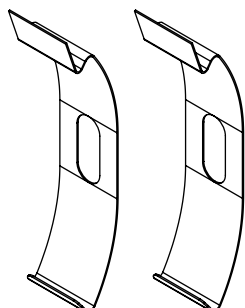
The given width will be the overall dimension of the blind, to which the fabric will be adjusted, minus the mechanisms (5 cm).

INSTALLATION

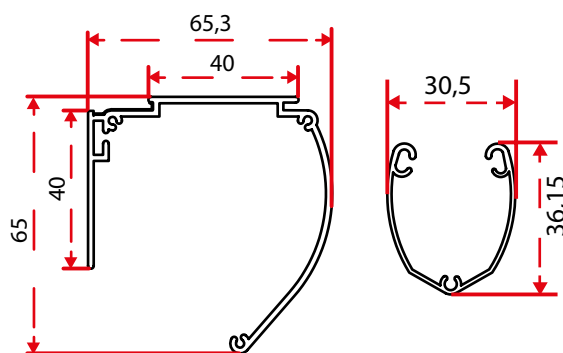
invasive

➤ The roller blind is screwed on plugs into the wall or ceiling.

top mounting



DIMENSIONING



COLOURS

anodized



white



brown



DAY AND NIGHT FREE-HANGING MAXI BLIND

width cm

	50	60	70	80	90	100	110	120	130	140	150	160	170	180	190	200	210	220	230	240
100	146	160	176	189	205	223	238	255	269	285	302	317	332	349	364	380	394	410	426	440
110	152	166	183	202	217	234	251	267	285	302	319	335	352	367	385	404	417	435	452	468
120	158	176	192	210	228	248	264	283	300	317	336	355	371	390	407	426	441	459	477	494
130	164	182	202	221	238	259	278	296	314	335	355	371	391	410	428	446	465	487	504	523
140	172	189	210	230	249	271	291	311	330	351	372	390	410	430	449	470	490	510	530	550
150	177	198	220	241	261	283	304	325	345	367	390	409	431	449	472	493	512	536	557	576
160	183	205	228	249	271	296	317	340	361	383	408	427	448	470	493	517	539	561	583	605
170	185	208	233	256	279	303	327	350	374	396	420	443	468	491	514	537	560	586	608	633
180	191	216	240	264	288	313	340	364	388	412	437	462	488	512	536	560	585	612	636	660
190	197	221	248	275	299	326	351	376	404	428	454	480	507	532	558	584	612	636	662	687
200	202	229	256	283	310	335	364	390	417	445	472	496	525	553	581	607	635	660	687	713
210	207	235	263	291	319	349	377	405	433	460	489	517	544	573	601	628	658	685	713	742
220	212	241	271	300	329	359	388	416	446	477	506	535	564	594	622	651	681	711	741	768
230	217	248	279	310	340	371	399	432	462	491	522	555	584	614	644	677	704	737	766	797
240	223	256	286	318	351	382	412	446	477	507	540	572	602	636	666	698	728	762	792	823
250	230	262	294	327	359	393	426	459	490	523	557	588	622	655	687	721	753	786	818	850

Standard hardware colors: white, brown

SURCHARGES

» BAHAMA I, III	without surcharges
» BAHAMA II, V, VI, XV, ESP IX, PAPAVERO	10%
» BAHAMA VII, IX, XXIX, ESP I, VIII	30%
» BAHAMA IX FR (flame-retardant fabric)	50%

ELECTRIC CONTROL

» Battery-operated drive TM25LE	390zł
» 1-channel remote control	75zł
» 15-channel remote control	95zł

NOTE!

On the order, please specify which roller blinds will be installed next to each other to avoid differences in the arrangement of the stripes. In roller blinds of different heights, it is not possible to achieve the same arrangement of the stripes.

In Day and Night roller blinds, from a width of 70 cm, the fabric may form a „boat” shape. This is a natural behavior of the fabric. There may be imperfections on the fabric resulting from the nature and properties of the yarn.

Incorrect leveling of the roller blind may cause improper rolling of the fabric, which is not subject to complaints.

The mentioned imperfections cannot be a reason for complaint and should always be known to the future customer.

Winding of day and night fabrics in manual roller blinds page 99

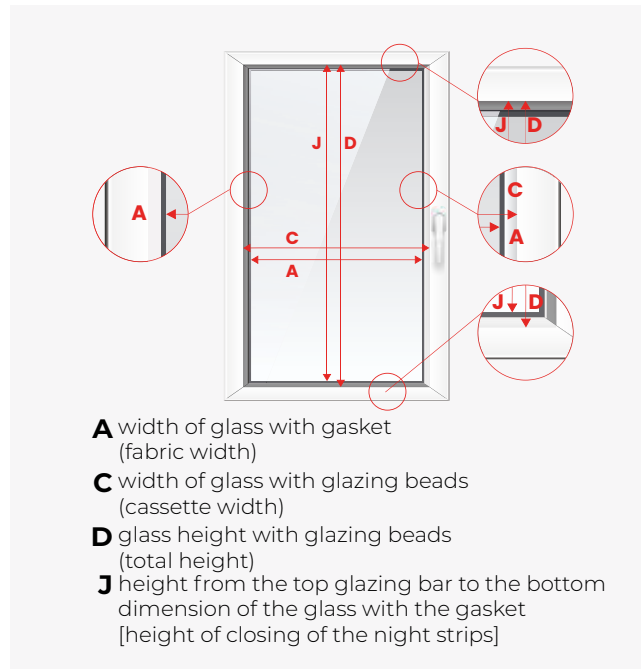
DAY AND NIGHT BLIND IN ALU CLASSIC CASSETTE

- » Cassette system manufactured from durable aluminum,
- » Controlled with a chain.
- » In the case of very rounded glazing beads it is possible to use PCV 32mm curved guides (without surcharges) - such information should be marked on the order,
- » Standardly equipped with 30mm flat PVC guides.
- » The maximum dimensions are specified in the table.
- » It is possible to use aluminum guides of 30mm or 37mm (surcharge applies).



DAY AND NIGHT BLIND IN ALU CLASSIC CASSETTE

MEASUREMENT



The difference between the widths should be between 35mm and 50mm

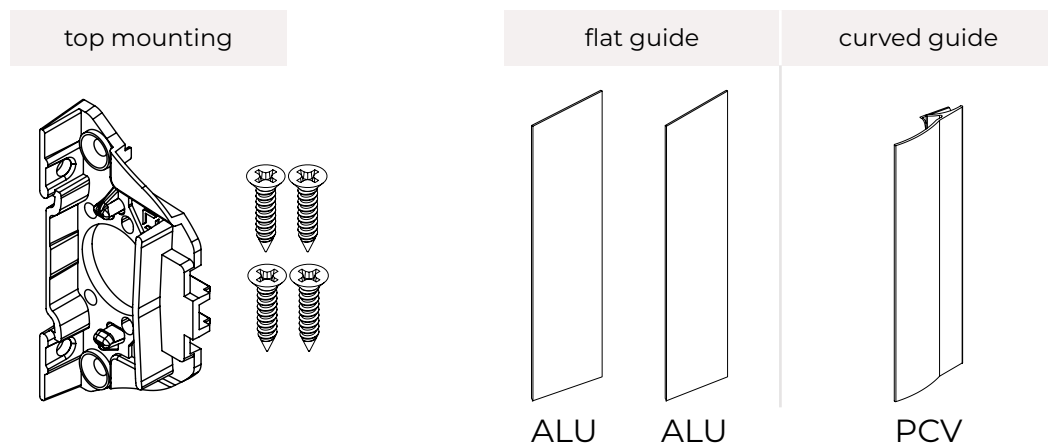
NOTE!

In the case of systems with invasive installation in the light of the glass (between the glazing bead), remember to take into account in the measurement the width of the so-called „installation clearance”. The size of the mounting clearance is selected individually according to the person who performs the measurement, but we recommend that the value is between 2 and 4 mm. Maintaining this scheme will allow the material / fins to operate freely. We would like to remind you that measurement is always made in three places, choosing the smallest value received.

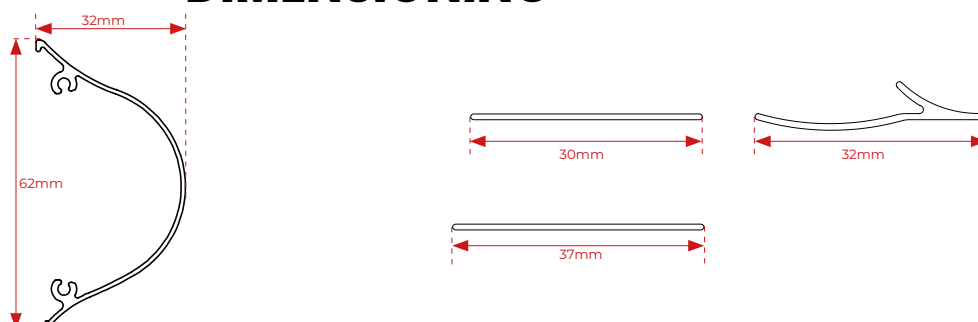
INSTALLATION

invasive

➤ Roller blind screwed with INSTALLATION screws (available in the set). Guides glued on double-sided tape.



DIMENSIONING



DAY AND NIGHT BLIND IN ALU CLASSIC CASSETTE

width cm

	50	60	70	80	90	100	110	120	130	140	150
100	136	151	165	179	192	208	224	238	254	267	283
110	142	156	173	188	203	218	236	250	267	283	300
120	149	165	180	197	214	231	248	264	281	298	314
130	154	172	188	206	223	241	260	277	294	313	331
140	159	179	197	216	233	254	275	289	309	328	349
150	165	185	205	227	244	264	285	303	325	343	364
160	173	191	215	236	256	277	298	315	340	359	380
170	179	198	223	247	267	287	309	329	355	374	394
180	185	204	233	257	279	300	319	342	369	390	410
190	191	210	241	267	289	311	331	355	385	406	426
200	198	217	250	278	302	324	343	367	401	420	440
210	204	223	260	287	313	333	355	381	416	436	456
220	210	230	268	299	326	345	366	393	432	452	472
230	217	236	278	309	336	357	378	407	447	466	488
240	223	243	286	318	349	368	390	419	462	481	503
250	230	249	296	329	360	381	401	432	478	496	518
260	236	256	304	340	371	392	412	445	493	513	534
270	243	262	313	350	383	405	424	458	509	529	549
280	249	268	324	360	394	414	436	470	523	543	564
290	256	276	331	369	407	427	447	483	540	559	581
300	262	282	341	381	417	438	459	495	556	574	596
310	268	287	350	391	430	449	470	509	571	590	612
320	276	294	359	401	440	461	481	521	586	605	625

Standard hardware colors: white, brown

SURCHARGES

- » flat ALU guides 30mm 6zł/m
- » flat ALU guides 37mm 11zł/m
- » BAHAMA I, III without surcharges
- » BAHAMA II, V, VI, XV, ESP IX, PAPAVERO 10%
- » BAHAMA VII, IX, XXIX, ESP I, VIII 30%
- » BAHAMA IX FR (flame-retardant fabric) 50%
- » equipment: golden oak, mahogany, anthracite, pine,swamp oak, walnut, winchester 20%

DISCOUNTS

- » roller without guides in standard color* 10,00zł per set
- » roller without guides in non-standard color* 12,00zł per set

*when the customer has his guides

NOTE!

It is necessary to specify on the order which roller blinds will be installed next to each other to avoid the difference in the alignment of the strips. In roller blinds of different heights it is not possible to arrange the belts equally.

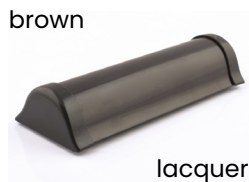
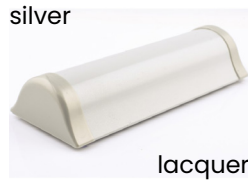
Winding of day and night fabrics in manual roller blinds page 99

DAY AND NIGHT BLIND IN ALU CLASSIC CASSETTE

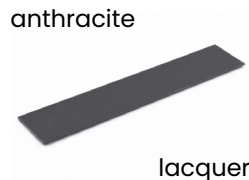
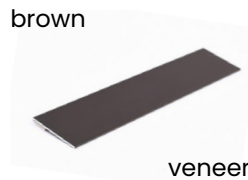
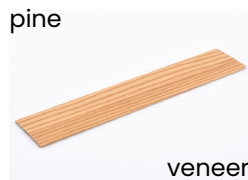
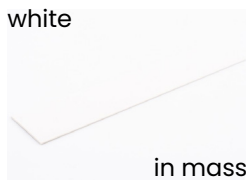
We would like to inform you that in the Day and Night blinds in the fabric from the width of 70 cm and above, there may be some fabric curling. This is a natural way of fabric behavior/arrangement. Imperfections may appear on Fabricch due to the nature and properties of the yarn. Incorrect leveling of the roller blind may cause improper rolling of the fabric, which is not subject to complaints. The mentioned imperfections cannot be a reason for complaint and should always be known to the future customer.

COLOURS

CASSETTE



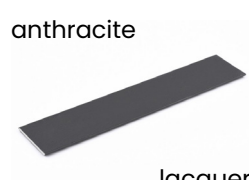
FLAT GUIDE PCV 30



CURVED GUIDE



GUIDE ALU 30/37



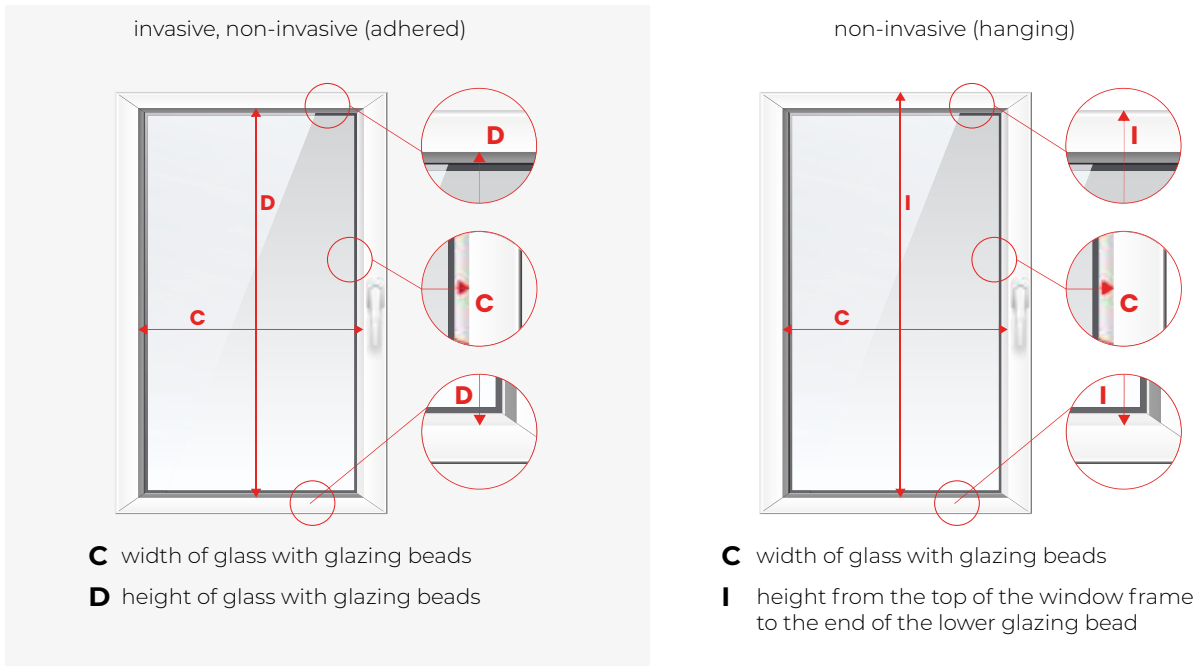
DAY AND NIGHT BLIND IN ALU PROFILE CASSETTE

- » Roller shutter made of durable aluminum
- » Standardly equipped with ALU spatial guides.
- » For windows with a ventilator, it is possible to use longer hangers (please indicate on the order),
- » Controlled with a chain.
- » The maximum dimensions are specified in the table.



DAY AND NIGHT BLIND IN ALU PROFILE CASSETTE

MEASUREMENT

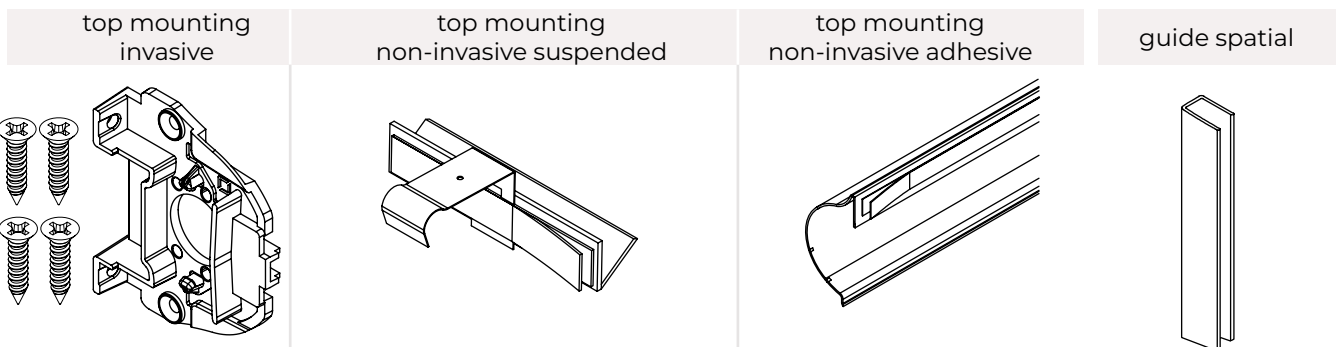


If the shape of the glazing bead prevents the guides from being glued to it (width dimension less than 9mm or curved surface), the base dimension C should be increased by 16mm.

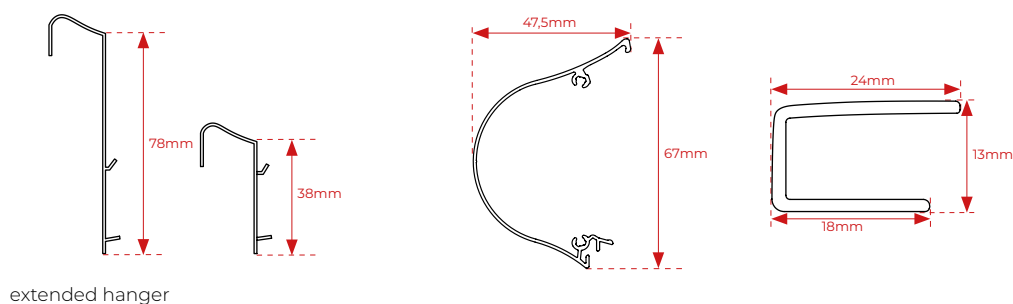


INSTALLATION

- invasive** ➤ Roller shutter screwed with installation screws (available in the set). Guides glued with foam tape.
- non-invasive hanging** ➤ Roller blind hung on metal hangers. Guides glued with foam tape.
- non-invasive adhered** ➤ Roller blind glued over the glazing bars. Guides glued with foam tape.



DIMENSIONING



DAY AND NIGHT BLIND IN ALU PROFILE CASSETTE

		width cm										
		50	60	70	80	90	100	110	120	130	140	150
height cm	100	159	176	195	208	227	246	263	281	298	313	331
	110	166	183	202	222	238	257	278	294	313	331	352
	120	174	195	212	231	250	272	291	311	329	350	369
	130	181	201	222	243	263	284	304	326	345	368	390
	140	187	208	231	254	275	299	320	342	363	385	410
	150	196	217	241	265	286	311	335	356	381	405	428
	160	202	227	250	275	299	326	350	372	396	422	448
	170	204	230	256	281	305	333	359	384	411	437	462
	180	210	237	263	291	317	344	372	399	427	454	480
	190	216	243	272	301	328	357	385	412	441	470	499
	200	222	251	282	311	341	368	399	428	459	490	519
	210	229	259	289	320	352	383	413	443	477	507	537
	220	235	264	300	331	364	396	428	459	494	522	556
	230	241	271	309	342	376	411	441	474	513	540	573
	240	248	278	317	352	387	426	456	490	532	557	591
	250	255	284	327	363	397	439	470	506	549	573	609
	260	261	289	335	372	410	454	486	520	567	590	626
	270	267	298	344	383	422	468	499	536	585	607	645
	280	275	303	353	393	433	481	513	551	602	623	664
	290	281	310	363	405	445	495	527	567	621	640	681
300	286	315	371	413	456	510	541	583	639	657	699	

Standard hardware colors: white, brown.
Darkened area - without guarantee, at the responsibility of the customer.

SURCHARGES

» BAHAMA I, III	without surcharges
» BAHAMA II, V, VI, XV, ESP IX, PAPAVERO	10%
» BAHAMA VII, IX, XXIX, ESP I, VIII	30%
» BAHAMA IX FR (flame-retardant fabric)	50%
» equipment: golden oak, mahogany, anthracite, pine, swamp oak, walnut, winchester	20%

DISCOUNTS

» roller without guides in standard color*	14,00zł per set
» roller blind without guides in woodgrain color*	17,00zł per set
» exchange of spatial guides for string guides	7,00zł per set

*when the customer has his guides

NOTE!

It is necessary to specify on the order which roller blinds will be installed next to each other to avoid the difference in the alignment of the strips. In roller blinds of different heights it is not possible to arrange the belts equally.

DAY AND NIGHT BLIND IN ALU PROFILE CASSETTE

We would like to inform you that in the Day and Night blinds in the fabric from the width of 70 cm and above, there may be some fabric curling. This is a natural way of fabric behavior/arrangement. Imperfections may appear on the fabrics due to the nature and properties of the yarn.

Incorrect leveling of the roller blind may cause improper rolling of the fabric, which is not subject to complaints.

The mentioned imperfections cannot be a reason for complaint and should always be known to the future customer.

COLOURS

CASSETTE



GUIDE PRZESTRZENNA

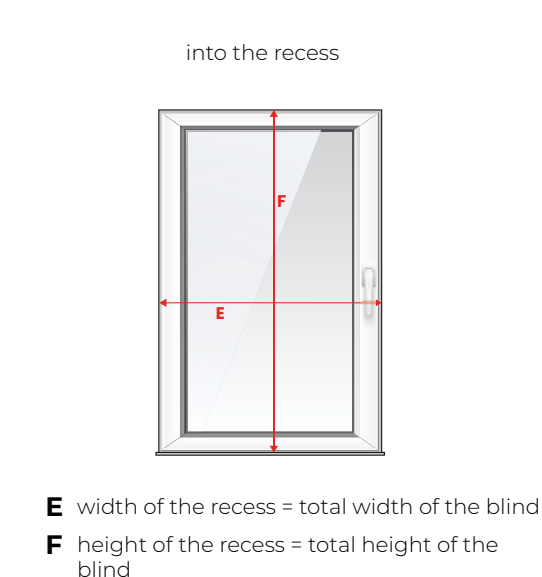
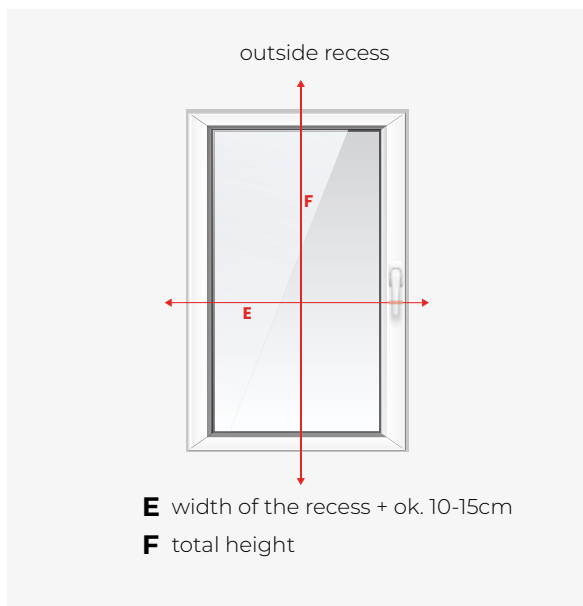


FREE-HANGING ROLLER BLIND DAY AND NIGHT IN HALF-CASKET - TYPICAL

- » Roller blind in half-case, made of durable aluminum,
- » Controlled with a chain.
- » Fits any window, can cover large areas.
- » The standard height of the roller blind is 150cm,
- » Only two height dimensions can be made: 150 or 190 cm,
- » The maximum dimensions are specified in the table.



FREE-HANGING ROLLER BLIND DAY AND NIGHT IN HALF-CASKET - TYPICAL MEASUREMENT



The specified width will be the dimension of the fabric. This dimension will be increased by mechanisms (3.5 cm).

The given width will be the total dimension of the roller blind, to which the fabric will be adjusted, minus the mechanisms (3.5 cm)

INSTALLATION

invasive

➤ Roller blind screwed on studs to the wall, ceiling,

top mounting



COLOURS

white



brown



Standard hardware colors: white, brown

SURCHARGES

➤ height 190 cm 40%

Fabric BH I, BH III, Flamengo Nature, Picanto, Ferrero	
Width (cm)	Price (zł)
30 – 40	48
41 – 50	52
51 – 60	56
61 – 70	65
71 – 80	70
81 – 90	76
91 – 100	81
101 – 110	89
111 – 120	94
121 – 130	100
131 – 140	105
141 – 150	113

Winding of day and night fabrics in manual roller blinds page 99

NOTE!

It is necessary to specify on the order which roller blinds will be installed next to each other to avoid the difference in the alignment of the strips. In roller blinds of different heights it is not possible to arrange the belts equally.

We would like to inform you that in the Day and Night blinds in the fabric from the width of 70 cm and above, there may be some fabric curling. This is a natural way of fabric behavior / arrangement. Imperfections may appear on the fabrics due to the nature and properties of the yarn.

Incorrect leveling of the roller blind may cause improper rolling of the fabric, which is not subject to complaints.

The mentioned imperfections cannot be a reason for complaint and should always be known to the future customer.

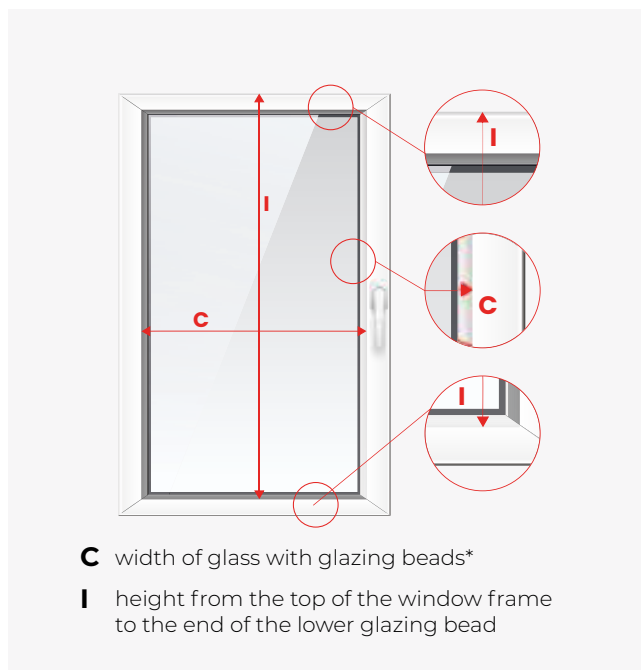
ROLLER BLIND IN CASSETTE SONO S/L

- » Cassette system made of durable PVC that does not yellow.
- » Standardly equipped with 20 mm PVC spatial guides.
- » For balcony window blinds using patterned fabrics where the height exceeds 180 cm, it is necessary to reverse the fabric (pattern).
- » Controlled with a chain.
- » Can be mounted on the window sash regardless of the shape of the glazing bead.
- » The maximum width of the blind is determined by the table.



ROLLER BLIND IN CASSETTE SONO S/L

MEASUREMENT



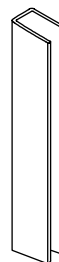
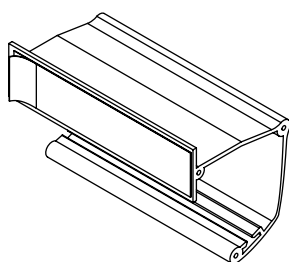
*If the shape of the glazing bead prevents the guides from being glued to it, the base dimension C should be increased by 16mm,

INSTALLATION

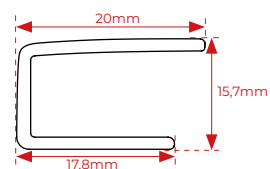
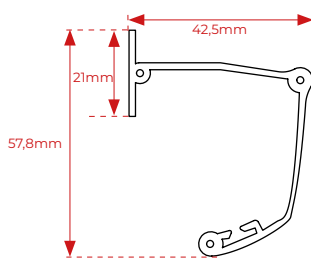
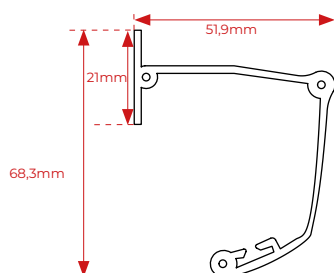
non-invasive ➤ The roller blind and guides are attached using foam tape

top mounting
non-invasive adhesive

guide spatial



DIMENSIONING



ROLLER BLIND IN CASSETTE SONO S/L

width cm

height cm	width cm										
	50	60	70	80	90	100	110	120	130	140	150
100	130	140	151	161	172	181	202	213	223	243	254
110	134	144	156	166	177	187	208	219	229	251	262
120	138	150	160	172	182	194	215	226	237	259	269
130	142	154	165	187	198	209	231	243	255	277	288
140	146	158	170	193	204	216	238	249	262	284	296
150	151	162	175	198	209	222	244	257	269	291	304
160	165	178	191	214	226	239	262	275	287	310	323
170	170	183	196	219	233	245	268	282	294	318	330
180	175	187	201	224	238	251	275	288	302	325	339
190	188	202	216	240	254	267	291	305	319	343	356
200	193	206	221	245	259	273	298	312	326	350	365
210	197	210	225	250	265	280	304	319	333	359	372
220	210	226	241	266	281	296	321	335	351	376	391
230	215	230	245	271	286	302	327	343	357	384	398
240	219	235	250	277	292	308	333	349	365	391	407

Standard hardware colors: white

COLOURS

white



golden oak



walnut



brown



anthracite



white



golden oak



walnut



brown



anthracite



width cm

height cm	width cm										
	50	60	70	80	90	100	110	120	130	140	150
100	135	146	157	168	179	191	212	223	234	256	266
110	139	151	162	174	185	196	218	229	241	263	275
120	143	155	167	179	191	202	225	237	248	270	283
130	147	160	172	195	207	219	242	254	266	289	301
140	152	164	177	200	213	225	248	261	273	297	309
150	156	168	182	205	218	231	255	268	281	304	318
160	172	185	198	222	236	249	272	286	300	324	336
170	176	189	203	227	241	255	280	293	307	331	345
180	180	194	208	233	247	261	286	300	314	339	353
190	195	209	224	248	263	278	303	318	332	357	371
200	199	214	228	254	269	284	309	324	340	365	380
210	203	218	234	260	275	290	315	331	347	372	388
220	218	234	249	276	291	307	333	349	365	391	407
230	222	238	254	281	297	312	340	355	371	398	414
240	226	242	259	286	303	319	346	363	378	406	423

Standard hardware colors: white

SURCHARGES

» BAHAMA I, III	without surcharges	
» BAHAMA II, V, VI, XV, ESP IX, PAPAVERO		10%
» BAHAMA VII, IX, XXIX, ESP I, VIII		30%
» BAHAMA IX FR (flame-retardant fabric)		50%
» equipment: brown, anthracite, golden oak, walnut		20%

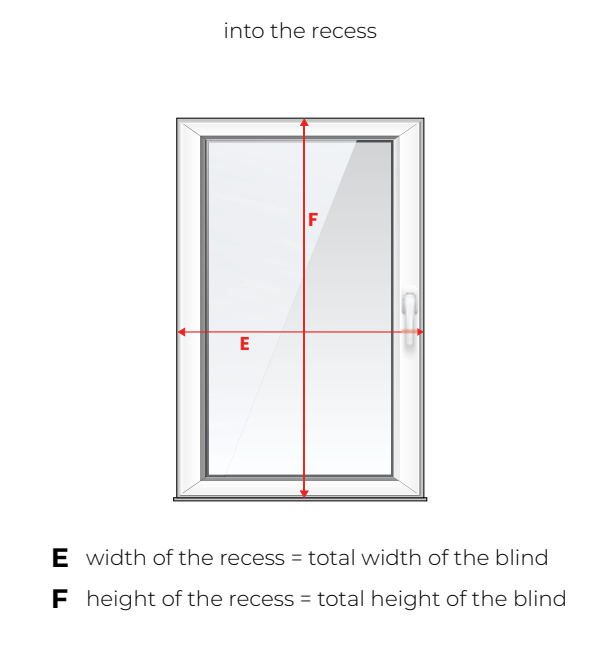
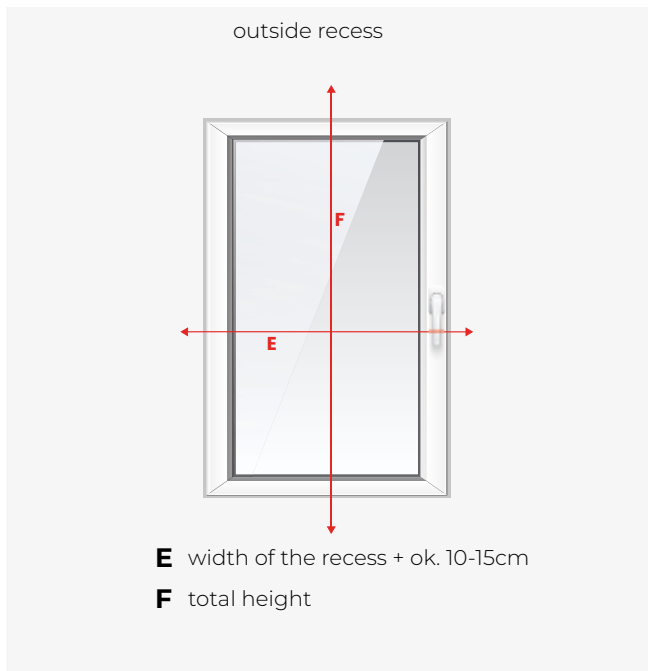
OMBRA ELECTRIC SHUTTER IN CASE

- » Aluminum cassette system. (wymiar kasety 85 x 85).
- » Controlled by an electric drive (drive to be added extra).
- » For large sizes, please take into account the occurring widths of the beams of a particular color. Beam widths shown in the color samples.
- » In situations where both dimensions (width and height) exceed the length of the available fabric beam, horizontal fabric seaming must be performed (for an additional charge). Seaming can only be done on Fabricch from the EDEN, A600 and PALERMO groups.
- » In the case of roller blinds for balcony windows using patterned fabrics, where height exceeds 180cm, it is necessary to reverse the fabric (pattern).
- » Case colours: white, anthracite, anthracite structure.



OMBRA ELECTRIC SHUTTER IN CASE

MEASUREMENT



The specified width will be the dimension of the fabric.
This dimension will be increased by mechanisms (5.5 cm).

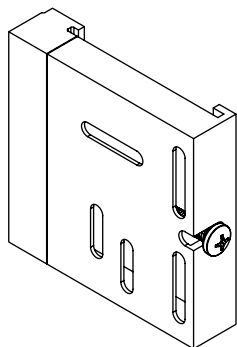
The given width will be the total dimension
of the roller blind, to which the fabric will be adjusted,
minus the mechanisms (5.5 cm)

INSTALLATION

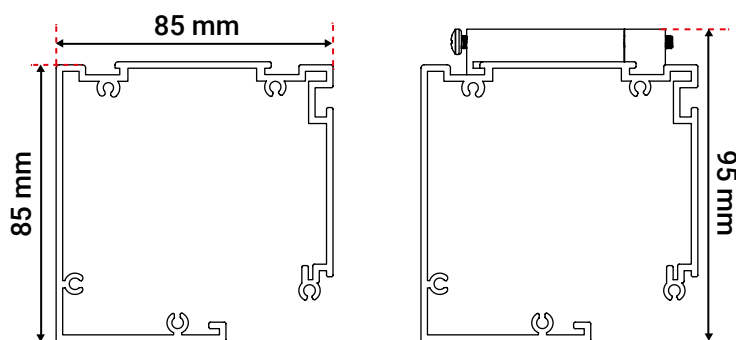
invasive

» (mounting brackets included
bez kołków)

top mounting



DIMENSIONS OF THE CASSETTE



The mounting bracket increases the dimension of the
cassette by 10mm.
Cassette is wider than the fabric dimension by 60mm.

OMBRA ELECTRIC SHUTTER IN CASE

GRUPA I SALSA, TANGO width cm

	500	800	1000	1300	1500	1800	2000	2300	2500	2800	3000
height cm											
1500	192	284	345	440	502	597	659	754	815	911	973
1700	194	287	350	447	509	605	668	765	827	923	986
2000	197	292	356	455	519	618	682	781	844	942	1006
2200	199	297	361	461	525	626	690	790	855	955	1020
2500	203	302	368	470	536	638	704	806	872	975	1040
3000	208	311	380	485	553	659	727	832	900	1006	1075

GRUPA II A600, EDEN width cm

	500	800	1000	1300	1500	1800	2000	2300	2500	2800	3000
height cm											
1500	236	351	427	545	622	740	816	935	1012	1129	1206
1700	240	356	434	554	632	752	830	950	1028	1148	1226
2000	244	364	444	567	647	770	850	973	1053	1176	1256
2200	248	370	451	576	657	783	864	989	1069	1195	1276
2500	252	377	460	590	672	801	884	1012	1095	1223	1307
3000	261	391	477	611	698	831	917	1050	1137	1270	1357

GRUPA III A900, C100, MGR, MALOYA, SAMBA width cm

	500	800	1000	1300	1500	1800	2000	2300	2500	2800	3000
height cm											
1500	245	365	446	570	649	773	853	977	1058	1181	1262
1700	249	373	455	581	664	790	873	999	1081	1208	1290
2000	257	385	470	600	685	816	901	1033	1118	1248	1333
2200	262	392	479	613	700	833	920	1055	1141	1275	1362
2500	269	404	493	632	721	859	949	1087	1178	1315	1405
3000	281	423	517	663	758	902	997	1142	1237	1382	1477

GRUPA IV B1000, C300, PALERMO SCREEN width cm

	500	800	1000	1300	1500	1800	2000	2300	2500	2800	3000
height cm											
1500	270	406	496	636	726	865	955	1095	1185	1323	1414
1700	278	418	512	656	749	893	986	1130	1224	1368	1461
2000	289	437	535	686	784	935	1033	1184	1281	1433	1530
2200	298	450	551	706	807	962	1064	1220	1320	1476	1578
2500	309	468	574	737	843	1004	1110	1273	1379	1542	1648
3000	329	499	613	787	900	1075	1188	1362	1477	1650	1764

OMBRA ELECTRIC SHUTTER IN CASE

SURCHARGES

- » Cassette painting: 58,0 zł / m
- » PVC side painting (cassette and beam): 53,0 zł / kpl

ELECTRIC CONTROL

BRAUKTER AUTOMATION:

- » GM35S 10/17 - WIRED DRIVE 166,0 zł / pcs
- » GM35R 10/17 - RADIO DRIVE 237,0 zł / pcs
- » PILOT BRAUKTER 1-channel 75,0 zł / pcs
- » PILOT BRAUKTER 15-channel 95,0 zł / pcs
- » ARIA key switch without hold, with frame - color white 35,0 zł / pcs
- » ARIA key switch without hold, with frame - color grey matt 54,0 zł / pcs
- » ARIA key switch without hold, with frame - metallic black color 54,0 zł / pcs
- » ARIA key switch with hold, with frame - color white 48,0 zł / pcs
- » ARIA key switch with hold, with frame - color grey matt 66,0 zł / pcs
- » ARIA key switch with hold, with frame - black metallic color 66,0 zł / pcs

SOMFY AUTOMATION:

- » SONESSE 40 RTS - RADIO DRIVE 1271,0 zł / pcs
- » SONESSE 40 3/30 VVF - WIRED DRIVE 870,0 zł / pcs
- » Situo 1 RTS II Pure mobile remote control 242,0 zł / pcs
- » Mobile remote control Situo 1 RTS II Natural, Iron, Arctic 349,0 zł / pcs
- » Situo 1 RTS II portable remote control Natural, Iron, Arctic 384,0 zł / pcs
- » Situo 5 RTS II portable remote control Natural, Iron, Arctic 455,0 zł / pcs
- » Smoove UNO WT switch, flush-mounted (with hold) 96,0 zł / pcs
- » Smoove UNO WT switch, surface-mounted (with hold) 133,0 zł / pcs

Winding of day and night fabrics in manual roller blinds page 99

COLOURS

white



anthracite structure



anthracite



*When using a BRAUKTER battery drive, the control is located on the right side only.

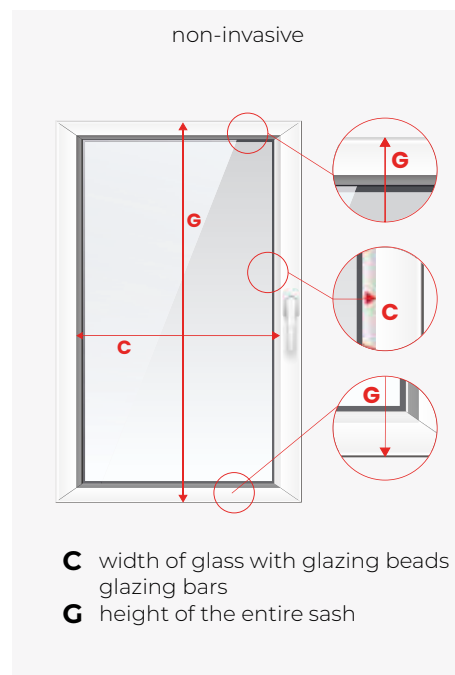
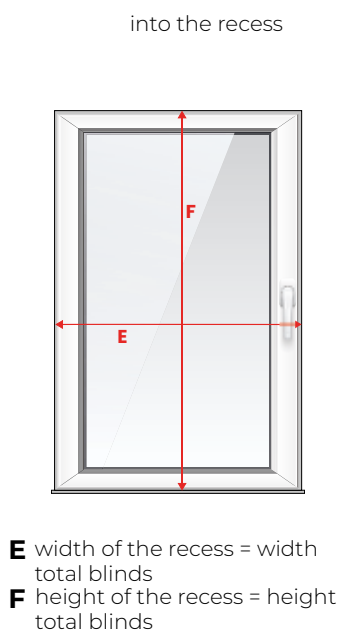
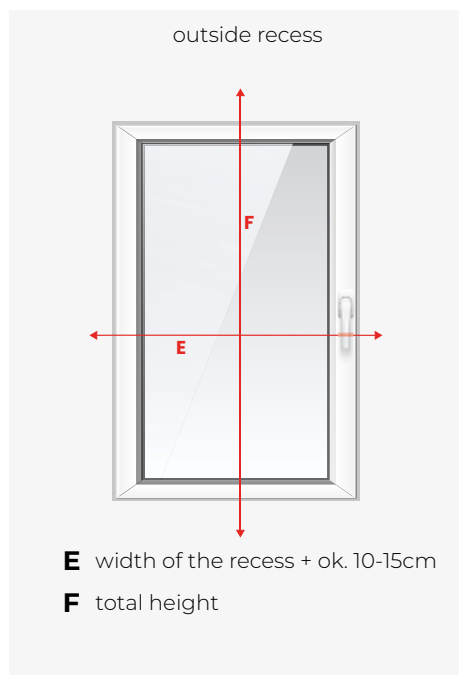
ROMAN ROLLER

- » Roller shutter system equipped with an aluminum rail and a self-locking mechanism,
- » Fabrics can be washed at 30°C, do not chlorinate,
- » Fabric equipped with tunnels, thanks to which it arranges itself in waves. Due to the type of fabric used fabric these waves do not always arrange themselves regularly. Tunnels occur every 20cm,
- » When fully rolled up, the blind takes up about 15% of its length.



ROMAN ROLLER

MEASUREMENT

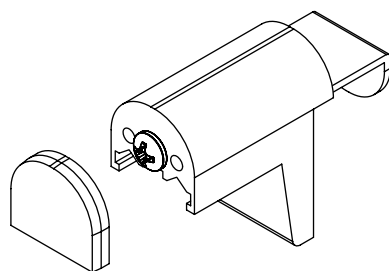


The given dimension will be the total dimension of the blind.

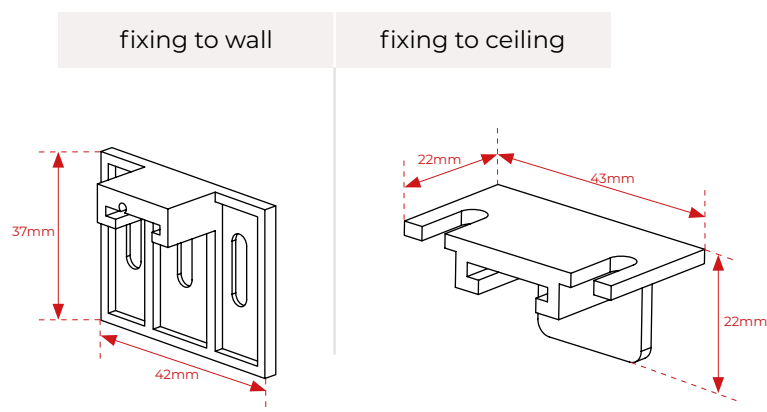
NOTE!

On the order, specify which blinds will be mounted side by side.

non-invasive ➤ Roller shutter hung on the window sash with non-invasive hangers



invasive ➤ Roller blind screwed to the wall or ceiling.



ROMAN ROLLER

width cm

	50	60	70	80	90	100	110	120	130	140	150	160	170	180	190	200	210	220	230	240	250	260
50	291	313	335	357	380	402	423	444	466	488	510	535	554	567	598	622	644	665	686	708	730	752
60	298	320	339	361	383	405	427	448	470	492	513	536	557	579	601	625	647	669	690	712	734	755
70	301	323	345	367	389	411	432	454	476	498	517	539	561	582	604	628	650	672	695	717	738	760
80	307	328	348	370	392	414	436	458	480	501	523	544	564	586	608	633	655	677	698	720	739	761
90	310	332	354	374	396	418	439	461	483	506	528	550	571	590	612	636	658	680	702	724	743	765
100	315	338	357	380	402	423	444	466	488	509	531	553	575	597	615	639	661	683	703	725	747	769
110	321	342	363	385	407	427	448	470	492	513	534	556	578	600	620	644	665	686	706	728	750	772
120	324	346	367	389	411	432	452	474	495	517	538	559	581	603	623	647	669	688	709	731	753	774
130	331	349	371	393	415	436	457	477	499	520	542	564	585	607	628	650	672	692	713	735	758	777
140	334	356	374	396	418	440	461	483	506	524	546	567	588	611	633	655	677	696	718	739	760	782
150	339	360	382	404	426	444	466	487	509	531	551	573	593	614	636	658	680	700	721	743	763	785
160	343	365	385	407	429	448	470	490	512	534	554	576	598	617	639	661	683	703	725	747	767	789
170	348	368	390	412	432	454	474	495	517	538	559	581	601	622	644	665	686	706	728	750	771	790
180	354	373	393	415	437	458	480	499	520	541	563	585	604	625	647	669	690	709	730	752	774	794
190	357	380	399	420	440	462	483	503	524	546	566	588	608	630	650	672	695	713	734	755	777	797
200	363	383	404	426	447	466	487	509	531	551	571	592	612	634	655	677	698	718	738	760	779	801
210	367	389	408	430	451	470	492	512	534	554	575	597	617	637	658	680	702	721	742	763	783	804
220	371	392	412	434	455	476	495	516	538	557	579	601	622	640	661	683	703	725	746	767	786	807
230	378	396	417	439	459	480	499	519	541	563	582	604	625	645	665	686	706	728	749	771	790	810
240	382	402	420	443	465	485	506	524	546	566	586	608	628	648	669	690	709	730	752	774	794	813
250	386	407	427	448	469	488	509	529	551	571	590	612	633	651	672	695	713	734	755	777	797	818
260	390	411	430	452	472	492	512	532	554	575	593	615	636	656	677	698	718	738	758	779	800	819

Standard hardware colors: white

Kolekcje tkanin: MODERNO, VELUTTO, BELLO, DELICATO

COLOURS

white



ROMAN ROLLER

RAIL AND TOOLING FOR ROMAN BLINDS [component sales]

Width rolety (cm)	Price (zł)	Number of spools with string	Number of mounting brackets
50	52	2	2
60	54	2	2
70	59	2	2
80	68	3	2
90	74	3	2
100	77	3	2
110	81	3	2
120	87	3	3
130	97	4	3
140	100	4	3
150	105	4	3
160	108	4	3
170	111	4	3
180	121	5	3
190	124	5	3
200	129	5	3
210	132	5	3
220	138	5	4
230	147	6	4
240	151	6	4
250	155	6	4
260	158	6	4
270	161	6	4
280	163	6	4
290	175	7	4
300	182	7	4

The price includes:

- » Bottom weight, white, aluminum
- » Chain and chain weight
- » Set of handles
- » The spool contains 300 cm of string

Additional elements:

- » Rod - tube 4.5mm clear, cut to size 2,00 zł/m
- » Additional bobbin 8,00 zł per piece
- » String attachment 0,20 zł per piece
- » Twine grommet 0,20 zł per piece

PRINT ON THE MATERIAL

COST OF PRINTING ON MATERIAL	80,00 zł / m ²
VISUALIZATION COST [includes a maximum of 3 revisions]	175,00 zł / pcs.
COST OF ADDITIONAL REVISIONS	125,00 zł / pcs.
COST OF PURCHASING STOCK PHOTOS [service stock.adobe.com]"	125,00 zł / pcs.
COST OF CUSTOM DESIGN [based on cooperation with a graphic designer]	Individual pricing

The prices are NET, and discounts apply according to the discount table [for Group III material].

CORRECT PHOTO FORMAT:

Minimum size: 1200 x 900 mm or 150 DPI at natural size.

ROLLER BLIND SYSTEMS WHERE PRINTING ON MATERIAL IS POSSIBLE:

MINI VEGAS, MINI SLIM, FREE-HANGING [IN MAXI CASSETTE, B55], ALU CLASSIC, PVC CLASSIC, ALU KLAUDIA, ALU PROFILE, DEKOLUX.

MAXIMUM MATERIAL WIDTH WITH PRINTING IS8:

MINI VEGAS, MINI SLIM – 280 cm
FREE-HANGING [IN MAXI CASSETTE, B55] – 300 cm
FREE-HANGING LIBRA V – 270 cm
PVC VEGAS CLASSIC, ALU VEGAS CLASSIC – 240 cm
ALU KLAUDIA – 150 cm
ALU VEGAS PROFILE – 300 cm
DEKOLUX – according to the dimensions table in the catalog

*When calculating the maximum material width, a reserve of approximately 20 cm of fabric is considered.

Printing is done on ecru-colored material, belonging to the III material group.
We do not print on both sides and on fabrics requiring stitching.

NOTE!

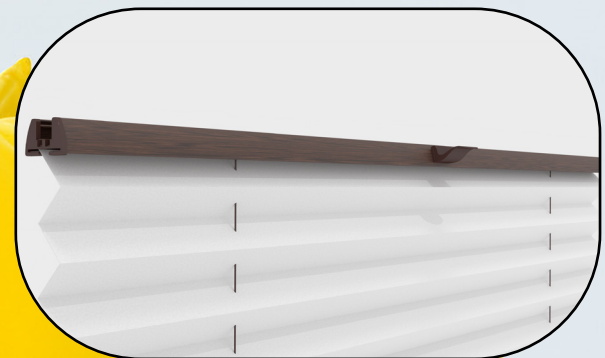
In the event of placing an order for the above service, the customer always bears the cost of visualization and printing.

This cost is added to the final price of the material blind calculated in Group III fabric.

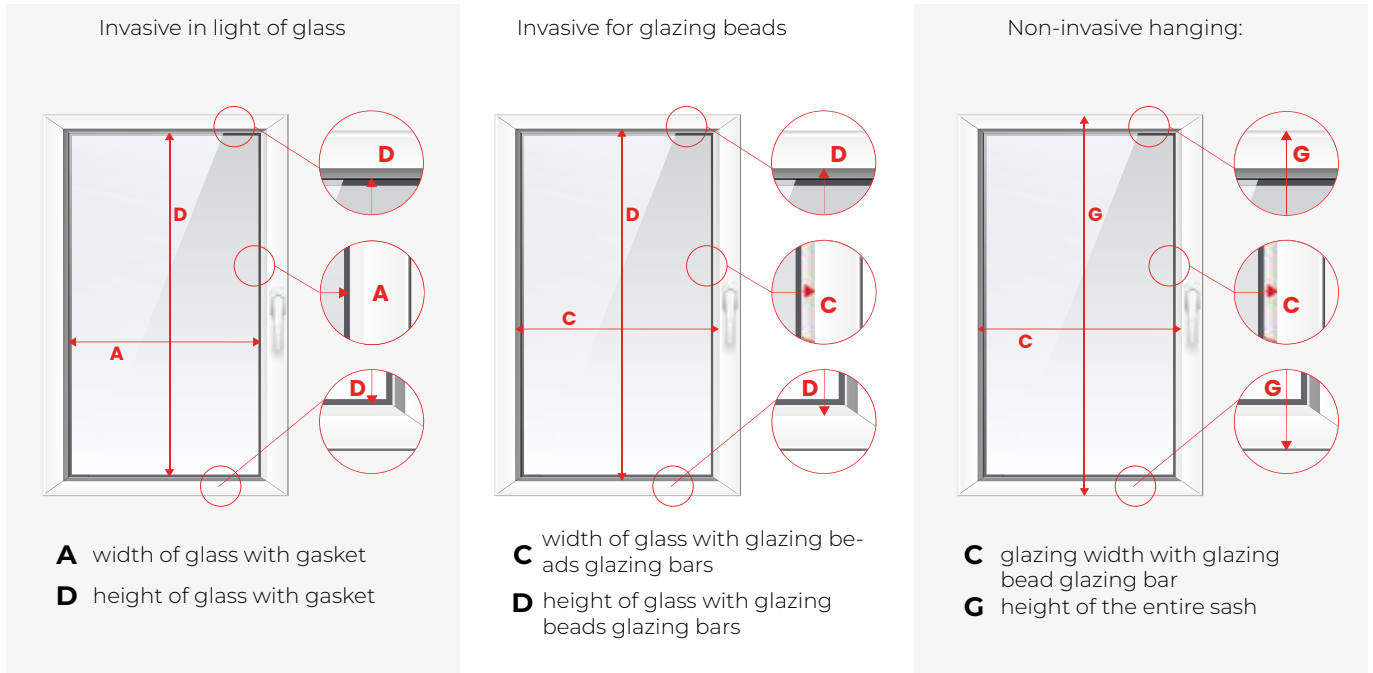
Printing service is an individual service. When creating a visualization, consider that the material may fold and/or be covered by the guides, affecting the visibility of the print.

VEGAS PLEATED ROLLER BLIND [FOR STANDARD WINDOWS]

- » Pleated roller blind made of durable aluminum,
- » The recommended minimum depth of the glazing bead for proper installation of the pleat is 17mm,
- » It is possible to order pleated blinds for windows with unusual shapes (arches, triangles) and other variants of pleated blinds - individual pricing,
- » For unusual shapes, we recommend invasive installation on glazing beads, As well as making templates.



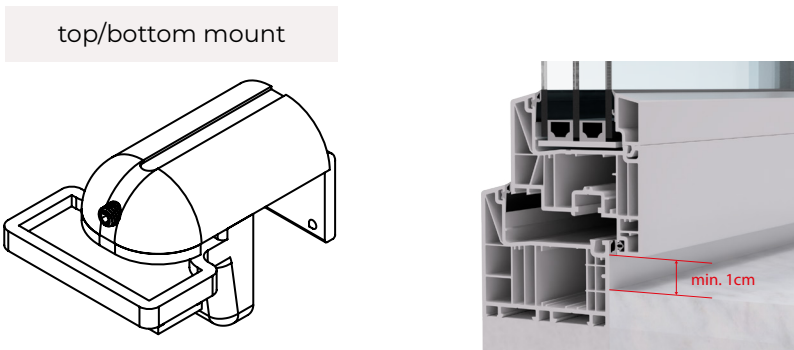
VEGAS PLEATED ROLLER BLIND [FOR STANDARD WINDOWS]



The measured dimension is the total width of the pleat with caps. The mounting clearance should be taken into account.

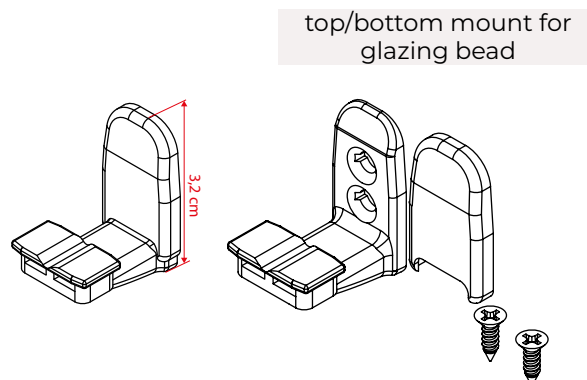
INSTALLATION

non-invasive ➤ The roller blind is hung on the window sash using non-invasive metal hooks.

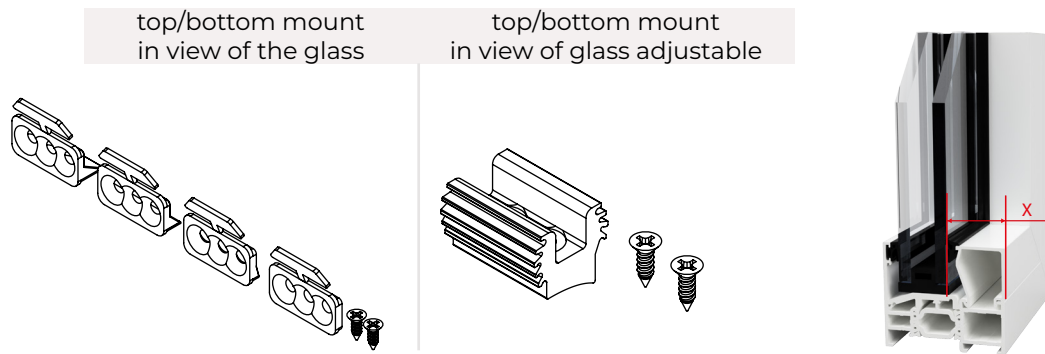


Minimum distance of the window frame from the sill 1cm.

invasive ➤ Pleated screwed to the glazing bead / in the light of the glass with mounting screws(available in the set).



VEGAS PLEATED ROLLER BLIND [FOR STANDARD WINDOWS]



The required minimum amount of space for installation: X = 2cm

The final price of each PLISA is determined by: **Price of material + Price of system components**

PRICE LIST OF MATERIALS:

Fabric	Price zł/m ²	Fabric	Price zł/m ²	Fabric	Price zł/m ²	Fabric	Price zł/m ²
Allegro	59,00	Favo Blackout	80,00	Opera Print	91,00	Rialto Pearl	103,00
Allegro Pearl	65,00	Fiona Easycare Doppio	252,00	Porto	112,00	Rialto Print	110,00
Bloosom	103,00	Fresco Blackout	100,00	Porto Pearl	125,00	Scala Blackout I	147,00
California	157,00	Giaconda Blackout	197,00	Prato	115,00	Scala Blackout II	209,00
California Shine Print	154,00	Kuba	49,00	Prato Pearl	123,00	Stockholm	191,00
Disco	110,00	Merino	113,00	Presto Print	87,00	Swing Blackout	145,00
Disco Blackout	139,00	Merino Blackout	202,00	Prima	55,00	Tango Blackout	224,00
Duo Rosso	80,00	Metallic Easy Care	106,00	Prima Blackout	135,00	Venezia	71,00
Ermitage	99,00	Moon Print Doppio	428,00	Prima Pearl	65,00	Waves	103,00
Falliero Metallic	130,00	Notte Blackout	85,00	Rialto	102,00		

The lowest area of the material when calculating the price is 0.5m². Recommended width of pleats: up to 120cm Above this dimension, the so-called pleat smile may occur, which cannot be a reason for complaint.

Tip: In the cosimo profile it is possible to add additional mounting brackets anywhere even after the production of the pleat. In the vegas profile, the addition of additional handles is possible only during the production of the pleat, as a standard, additional fastening is used when the width of the pleat exceeds 120 cm.

PRICE LIST OF SYSTEM COMPONENTS:

VARIANT IV - STANDARD WINDOWS - VEGAS PLISSE

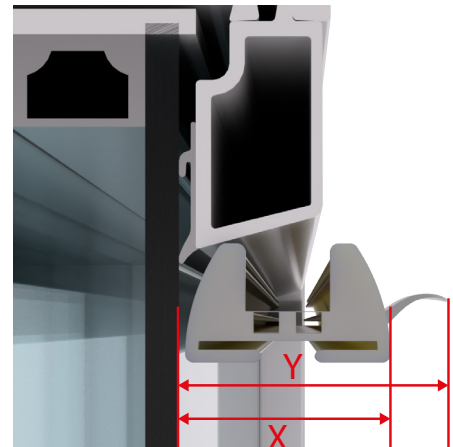
Width	20	30	40	50	60	70	80	90	100	110	120	130	140	150
Price (PLN) standard color	93	97	101	104	109	115	118	125	130	135	139	143	149	153
Price (PLN) color extra	97	102	109	116	121	128	135	143	150	157	163	168	176	182

Surcharge: non-invasive installation : 39,00 zł/kpl

VEGAS PLEATED ROLLER BLIND [FOR STANDARD WINDOWS]

ADDITIONAL INFORMATION:

- Number of cords in the pleat (depends on the width of the pleat):
 - up to 60cm - 2 cords
 - from 60,1 cm to 90 cm - 3 cords
 - from 90.1 cm to 135 cm - 4 cords
- Number of handles depending on the width:
 - up to 79,7 cm - 1 handle,
 - from 80 cm - 2 handles
- Profile thickness (distance from glass X): 2.4 cm
- Thickness of the profile including the handle for moving up/down (distance from Y glass): 5.5 cm (double materials: 5.7 cm)



COLOURS STANDARD



COLOURS EXTRA



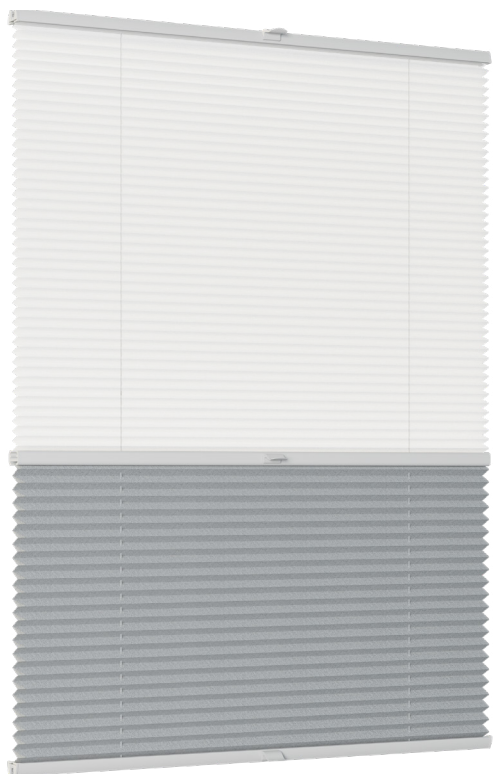
COLOURS OF NON-INVASIVE HANDLES



Profile colors	Equipment Colors
anthracite	anthracite
white	white
brown	brown
winchester	golden oak
swamp oak	brown
mahogany	mahogany
golden oak	golden oak
pine	pine
walnut	brown

VEGAS PLEATED ROLLER BLIND [FOR STANDARD WINDOWS]

VEGAS PLISSE DUO



- » Made of durable aluminum.
- » It consists of two fabrics and three profiles.
- » Completely or partially cover a window with one of the two fabrics or use both at the same time.
- » Three moving profiles.
- » Possibility to combine different types of fabrics
For example, blackout + curtain fabrics.

PRICE LIST OF SYSTEM COMPONENTS:

VARIANT IV - STANDARD WINDOWS - VEGAS PLISSE DUO

Width	20	30	40	50	60	70	80	90	100	110	120	130	140	150
Price (zł) standard color	121	126	132	136	141	150	154	163	168	175	181	186	193	199
Price (zł) color extra	126	133	141	151	158	165	175	186	195	204	213	219	228	237

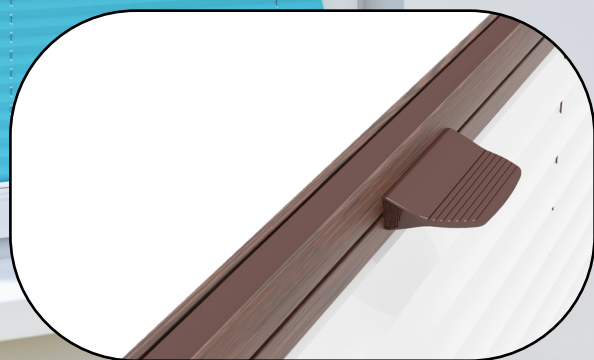
Surcharge: non-invasive installation : 39,00 zł/kpl

Diagram for calculating the price of duo pleat:

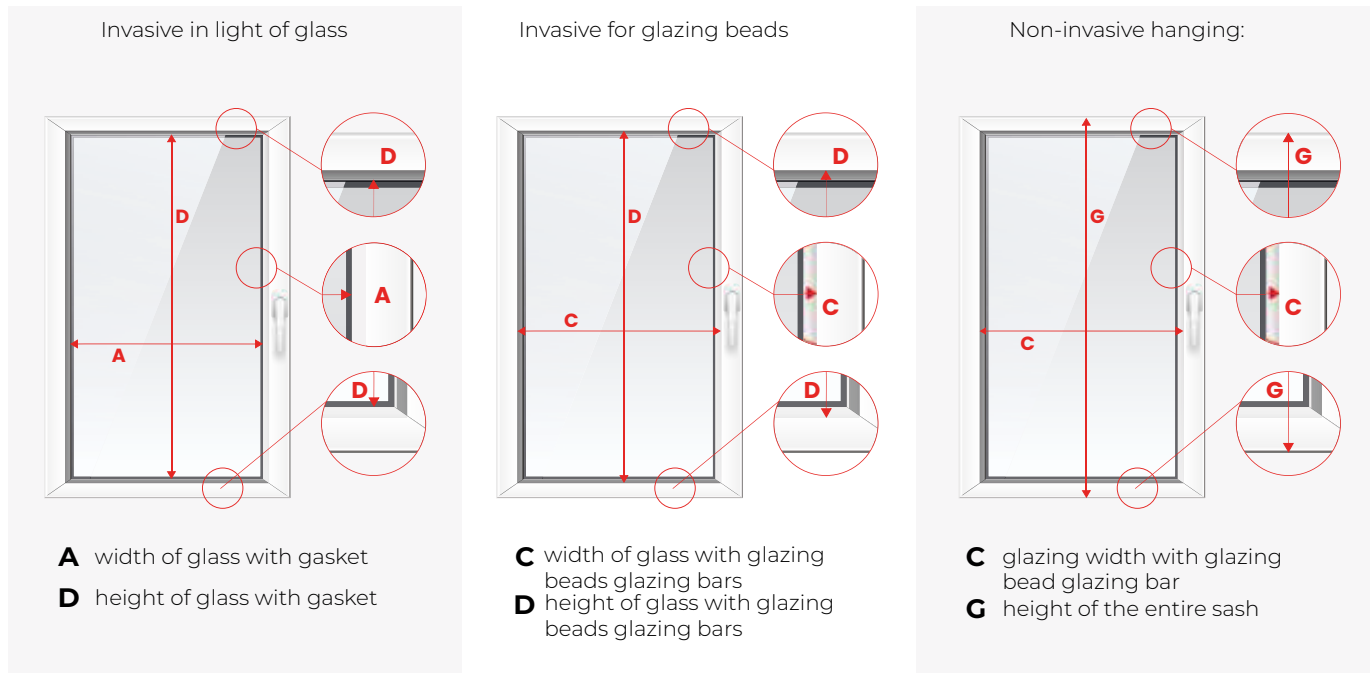
$m^2 \times \text{Price of fabric A} + m^2 \times \text{Price of fabric B} + \text{Price of equipment according to the table.}$

PLEATED BLIND COSIMO / COSIMO ONE [FOR STANDARD WINDOWS]

- » Plisa wykonana z wytrzymałego aluminium,
- » The recommended minimum depth of the glazing bead for proper installation of the pleat is 17mm,
- » It is possible to order pleated blinds for windows with unusual shapes (arches,triangles) and other variants of pleated blinds - individual pricing,
- » For unusual shapes, we recommend invasive installation on glazing beads, As well as making templates.



PLEATED BLIND COSIMO / COSIMO ONE [FOR STANDARD WINDOWS]

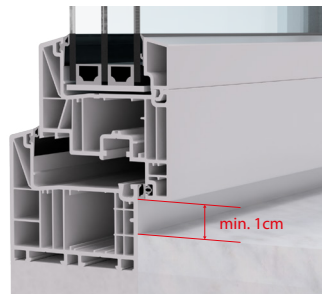
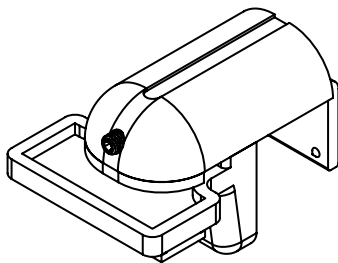


The measured dimension is the total width of the pleat with caps. Please take into account the installation clearance.

INSTALLATION

non-invasive ➤ Pleated hung on the window sash with non-invasive hangers.

top/bottom mount

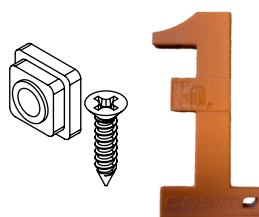
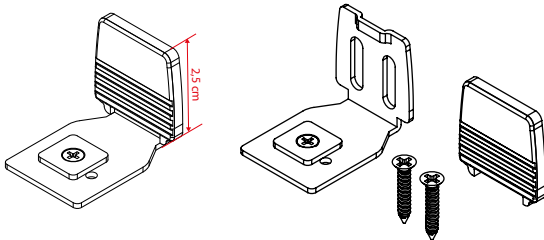


Minimum distance of the window frame from the sill 1cm.

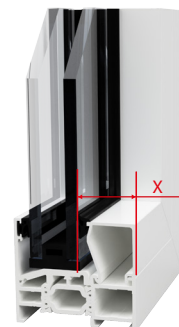
invasive ➤ Pleated screwed to the glazing bead / in the light of the glass with mounting screws screws(available in the set).

top/bottom mount for glazing bead

top/bottom mount in view of the glass



Supporting element Assembly, available on individual order from the sales department.



The required minimum amount of space for mounting: X = 1.9cm

PLEATED BLIND COSIMO / COSIMO ONE [FOR STANDARD WINDOWS]

The final price of each PLISA is determined by: **Price of material + Price of system components**

PRICE LIST OF MATERIALS:

Fabric	Price zł/m2	Fabric	Price zł/m2	Fabric	Price zł/m2	Fabric	Price zł/m2
Allegro	59,00	Favo Blackout	80,00	Opera Print	91,00	Rialto Pearl	103,00
Allegro Pearl	65,00	Fiona Easycare Doppio	252,00	Porto	112,00	Rialto Print	110,00
Bloosom	103,00	Fresco Blackout	100,00	Porto Pearl	125,00	Scala Blackout I	147,00
California	157,00	Giaconda Blackout	197,00	Prato	115,00	Scala Blackout II	209,00
California Shine Print	154,00	Kuba	49,00	Prato Pearl	123,00	Stockholm	191,00
Disco	110,00	Merino	113,00	Presto Print	87,00	Swing Blackout	145,00
Disco Blackout	139,00	Merino Blackout	202,00	Prima	55,00	Tango Blackout	224,00
Duo Rosso	80,00	Metallic Easy Care	106,00	Prima Blackout	135,00	Venezia	71,00
Ermitage	99,00	Moon Print Doppio	428,00	Prima Pearl	65,00	Waves	103,00
Falliero Metallic	130,00	Notte Blackout	85,00	Rialto	102,00		

The lowest area of the material when calculating the price is 0.5m2. Recommended width of pleats: up to 120cm Above this dimension, the so-called pleat smile may occur, which cannot be a reason for complaint.
Tip: In the cosimo profile it is possible to add additional mounting brackets at any place even after the production of the pleat. In the vegas profile, the addition of additional handles is possible only during the production of the pleat.

PRICE LIST OF SYSTEM COMPONENTS:

VARIANT IV - STANDARD WINDOWS - COSIMO

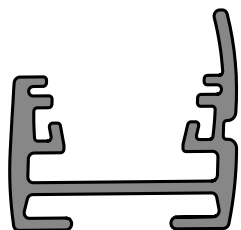
Width	20	30	40	50	60	70	80	90	100	110	120	130	140	150
Price (zł) standard color	116	120	125	131	136	143	147	161	166	173	179	183	188	194
Price (zł) color extra	121	129	136	143	151	160	166	183	191	198	207	214	221	229

Surcharge: non-invasive installation : 39,00 zł/kpl

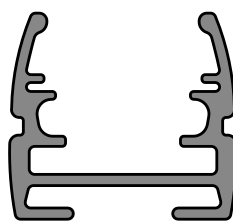
OPTION IV - OKNA STANDARDOWE - COSIMO ONE

Width	20	30	40	50	60	70	80	90	100	110	120	130	140	150
Price (zł) standard color	149	153	160	164	168	176	181	194	199	206	212	216	223	227
Price (zł) color extra	155	163	171	179	185	194	203	218	225	235	241	249	257	264

Surcharge: non-invasive installation : 39,00 zł/kpl



PROFILE COSIMO ONE

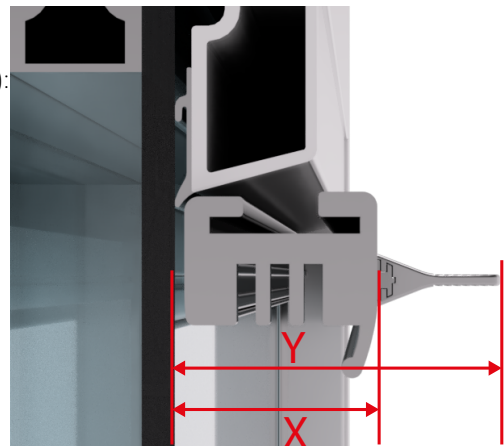


PROFILE COSIMO

PLEATED BLIND COSIMO / COSIMO ONE [FOR STANDARD WINDOWS]

ADDITIONAL INFORMATION:

- Number of cords in the pleat (depends on the width of the pleat):
 - up to 60cm - 2 cords
 - from 60,1 cm to 90 cm - 3 cords
 - from 90.1 cm to 135 cm - 4 cords
- Number of handles depending on the width:
 - up to 79,7 cm - 1 handle,
 - from 80 cm - 2 handles
- Profile thickness (distance from glass X): 2.4 cm
- Thickness of the profile including the handle for moving up/down (distance from Y glass): 5 cm (double materials: 5.2 cm)



COLOURS STANDARD

white



white mat



silver



ivory



mahogany brown



anthracite mat



matte black



COLOURS EXTRA

swamp oak



dark pine



golden oak



mahogany



walnut



COLOURS OF NON-INVASIVE HANDLES

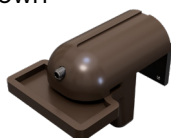
white



golden oak



brown

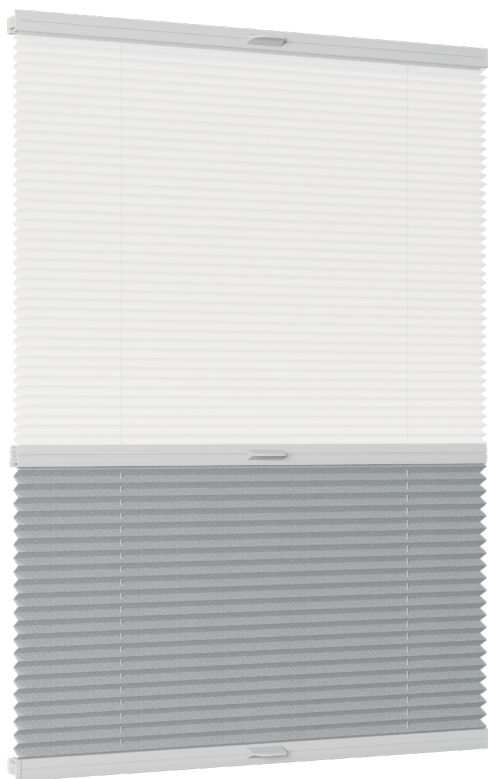


anthracite



PLEATED BLIND COSIMO / COSIMO ONE [FOR STANDARD WINDOWS]

COSIMO / COSIMO ONE DUO



- » Made of durable aluminum.
- » It consists of two fabrics and three profiles.
- » Completely or partially cover a window with one of the two fabrics or use both at the same time.
- » Three moving profiles.
- » Possibility to combine different types of fabrics
For example, blackout + curtain fabrics.

PRICE LIST OF SYSTEM COMPONENTS:

OPTION IV – OKNA STANDARDOWE – COSIMO DUO

Width	20	30	40	50	60	70	80	90	100	110	120	130	140	150
Price (zł) standard color	151	156	163	170	177	186	192	209	216	224	233	238	245	251
Price (zł) color extra	158	167	177	186	196	208	216	238	247	257	269	278	287	298

Surcharge: non-invasive installation : 39,00 zł/kpl

VARIANT IV – STANDARD WINDOWS – COSIMO ONE DUO

Width	20	30	40	50	60	70	80	90	100	110	120	130	140	150
Price (zł) standard color	193	199	208	214	219	228	236	251	259	268	275	281	290	296
Price (zł) color extra	201	213	222	233	241	251	264	283	292	305	313	324	333	343

Surcharge: non-invasive installation : 39,00 zł/kpl

Diagram for calculating the price of duo pleat:

$m_2 \times \text{Price of fabric A} + m_2 \times \text{Price of fabric B} + \text{Price of equipment according to the table.}$

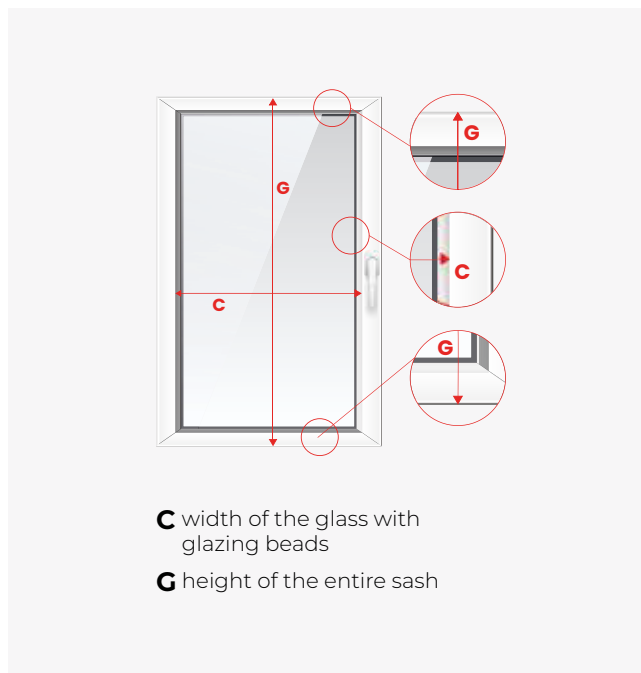
PLEATED BLIND - TYPICAL

- » Pleated made of durable PVC,
- » The standard height is 150cm,
- » The product is designed for standard windows only,
- » The maximum width of the pleated roller blind is determined by the table.



PLEATED BLIND - TYPICAL

MEASUREMENT

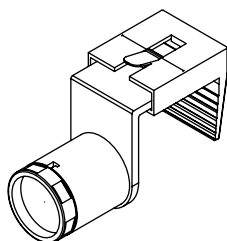


The specified width will be the dimension of the fabric, to which the mechanisms will be added.

INSTALLATION

non-invasive ➤ pleated hung on the window frame with the help of hangers PVC-free.

top/bottom mount



TYPE PLATED ROLLER with KUBA(KBPL) fabric

Width (cm)	Price (zł)
30 – 40	51,00
41 – 50	55,00
51 – 60	61,00
61 – 70	69,00
71 – 80	74,00
81 – 90	80,00
91 – 100	87,00
101 – 110	94,00
111 – 120	99,00

ADDITIONAL INFORMATION:

- The maximum height of the roller blind is 150 cm.
- Number of cords in the pleat (depends on the width of the pleat):
 - up to 69,9cm - 2 cords
 - from 70 cm - 3 cords
- Number of mounting brackets:
 - up to 69,9 cm - 4 handles
 - from 70 cm - 6 handles
- Number of handles:
 - always 4 handles

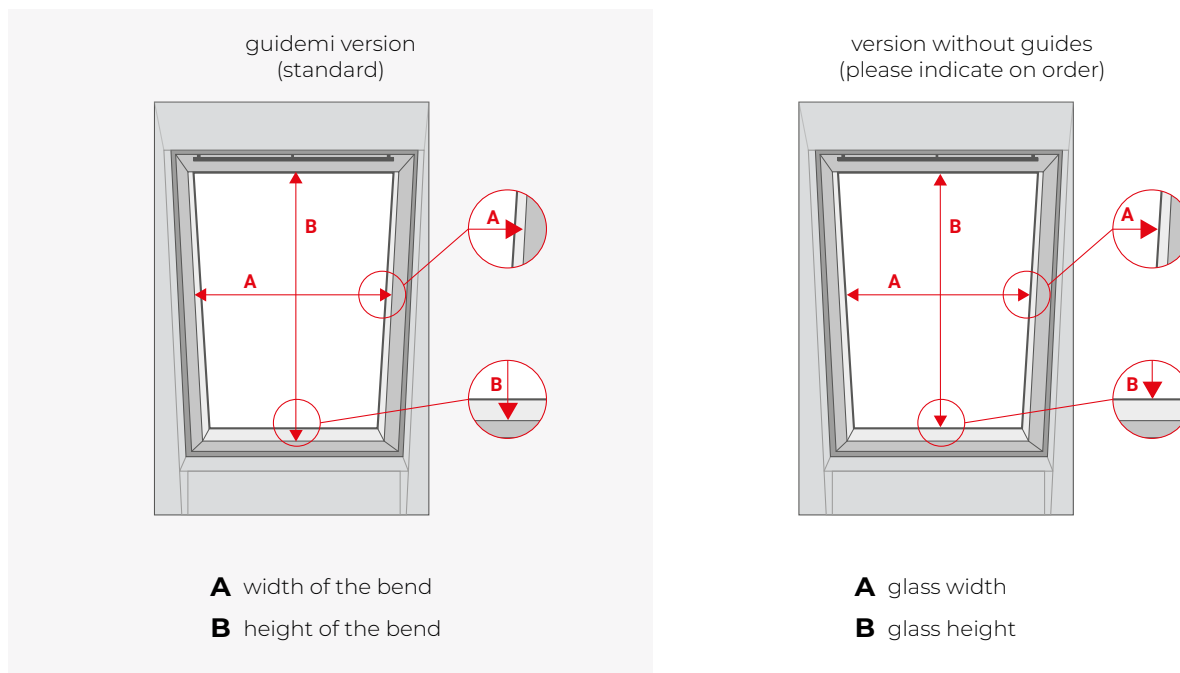
PLEATED BLIND COSIMO ONE [FOR ROOF WINDOWS]

- » The roller blind is made of durable aluminum.
- » It comes standard with Smart Line slides and an Easy Click magnetic lock,
- » An elegant and modern system dedicated to roof windows,
- » The ability to lock the blinds without unnecessary effort.



PLEATED BLIND COSIMO ONE [FOR ROOF WINDOWS]

MEASUREMENT



NOTE!

In the case of systems with invasive mounting in the light of the glass (between the glazing bead), remember to take into account in the measurement of the width of the so-called „mounting clearance”. The size of the mounting clearance is selected individually according to the person taking the measurement, but we recommend that this value is within in the range from 2 to 4 mm.

Maintaining this scheme will allow the material / fins to operate freely.

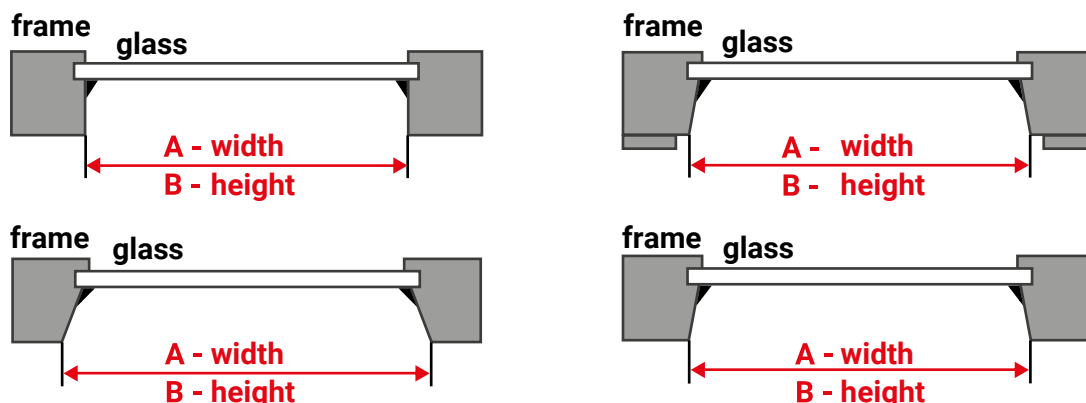
We would like to remind you that the measurement is always made in three places, choosing the smallest obtained value.

Version with guidemi(standard): pleated equipped with guides measurement:

- Fakro window manufacturer: pleated will be 2 cm narrower than the dimension given on the order,
- Roto window manufacturer: the pleat will be narrower by 1.9 cm than the dimension given on the order,
- other manufacturers: the pleat will be narrower by 1.5 cm than the dimension given on the order,

Version without guides(you need to indicate on the order): pleated equipped with an up and down auxiliary profile and line measurement:

PRZYKŁADOWE MIERZENIA WYMIARÓW OF THE BEND:

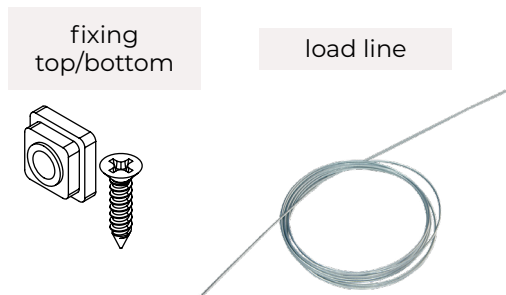


PLEATED BLIND COSIMO ONE [FOR ROOF WINDOWS]

INSTALLATION

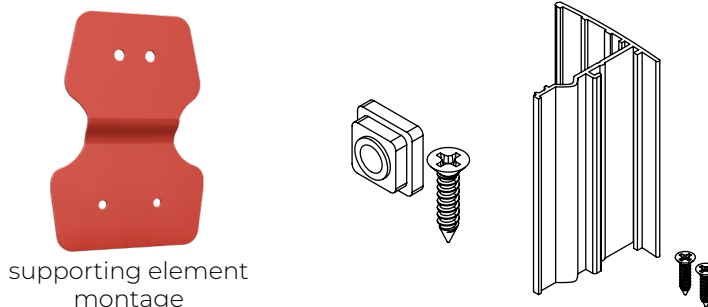
invasive

» Roller blind screwed with screws mounting screws to the glazing beads (available in the set).



invasive

» Guides and handles screwed with mounting screws (available in the set).



The final price of each PLISA is determined by: **Price of material + Price of system components**

PRICE LIST OF MATERIALS:

Fabric	Price zł/m2	Fabric	Price zł/m2	Fabric	Price zł/m2	Fabric	Price zł/m2
Allegro	59,00	Favo Blackout	80,00	Opera Print	91,00	Rialto Pearl	103,00
Allegro Pearl	65,00	Fiona Easycare Doppio	252,00	Porto	112,00	Rialto Print	110,00
Blossom	103,00	Fresco Blackout	100,00	Porto Pearl	125,00	Scala Blackout I	147,00
California	157,00	Giaconda Blackout	197,00	Prato	115,00	Scala Blackout II	209,00
California Shine Print	154,00	Kuba	49,00	Prato Pearl	123,00	Stockholm	191,00
Disco	110,00	Merino	113,00	Presto Print	87,00	Swing Blackout	145,00
Disco Blackout	139,00	Merino Blackout	202,00	Prima	55,00	Tango Blackout	224,00
Duo Rosso	80,00	Metallic Easy Care	106,00	Prima Blackout	135,00	Venezia	71,00
Ermitage	99,00	Moon Print Doppio	428,00	Prima Pearl	65,00	Waves	103,00
Falliero Metallic	130,00	Notte Blackout	85,00	Rialto	102,00		

The lowest area of the material when calculating the price is 0.5m2. Recommended width of pleats: up to 120cm Above this dimension, the so-called pleat smile may occur, which can not be a reason for complaint.

PRICE LIST OF SYSTEM COMPONENTS:

OPTION V – ROOF WINDOWS – COSIMO ONE

Width	20	30	40	50	60	70	80	90	100	110	120	130
Price (zł) standard color	217	223	227	243	249	269	273	289	293	299	305	309
Price (zł) color extra	226	234	241	260	268	291	298	314	322	330	339	346

SURCHARGES

» control stick (length required) 27,00zł/mb

NOTE!

Smart guide colors for roof window:

- » white
- » silver
- » pine

PLEATED BLIND COSIMO ONE [FOR ROOF WINDOWS]

COLOURS STANDARD

white



white mat



silver



ivory



mahogany brown



anthracite mat



matte black



COLOURS EXTRA

swamp oak



dark pine



golden oak



mahogany



walnut



COLOURS PROWADNIC

white



silver



pine



ACCESSORIES



Control stick
· cut to size
· color: white



Pleat handle
transparent

PLEATED BLIND COSIMO ONE [FOR ROOF WINDOWS]

COSSIMO ONE DUO



- » Made of durable aluminum.
- » It consists of two fabrics and three profiles.
- » Completely or partially cover a window with one of the two fabrics or use both at the same time.
- » Three moving profiles.
- » Possibility to combine different types of fabrics
For example, blackout + curtain fabrics.

VARIANT V - ROOF WINDOWS - COSIMO ONE

Width	20	30	40	50	60	70	80	90	100	110	120	130
Price (zł) standard color	282	290	296	315	324	350	355	376	382	388	396	402
Price (zł) color extra	294	304	313	338	349	378	387	409	418	429	440	450

Diagram for calculating the price of duo pleat:

$m^2 \times \text{Price of fabric A} + m^2 \times \text{Price of fabric B} + \text{Price of equipment according to the table.}$

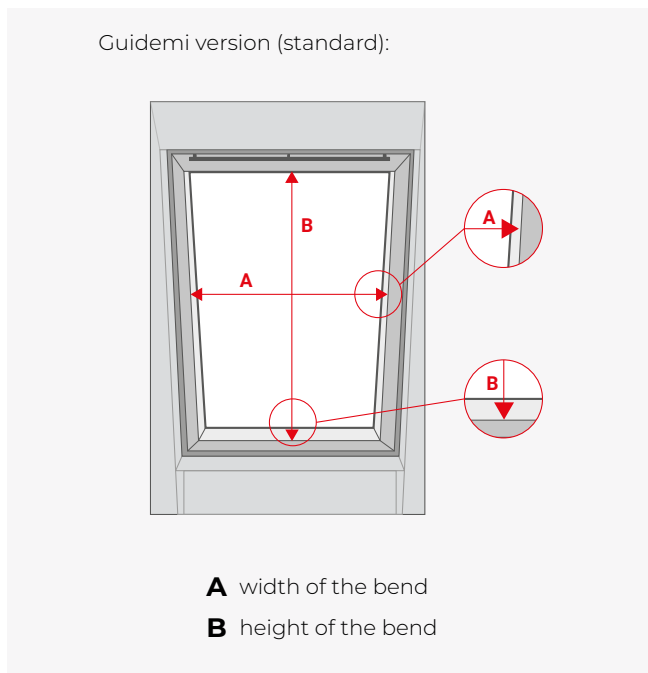
PLEATED BLIND VEGAS PLISSE [FOR ROOF WINDOWS]

- » Plisa wykonana z wytrzymałego aluminium,
- » Standard equipped with guides,
- » An elegant and modern system dedicated to roof windows,
- » The ability to lock the blinds without unnecessary effort.

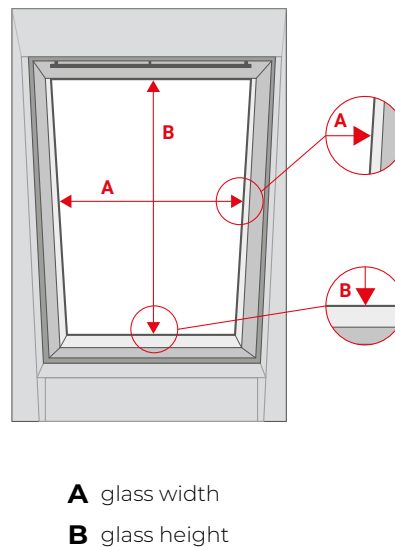


PLEATED BLIND VEGAS PLISSE [FOR ROOF WINDOWS]

MEASUREMENT



Version without guides equipped with steel veins
(must be indicated on the order):



NOTE!

In the case of systems with invasive mounting in the light of the glass (between the glazing bead), remember to take into account in the measurement of the width of the so-called „installation clearance”. The size of the mounting clearance is selected individually according to the person taking the measurement, but we recommend that this value is within in the range from 2 to 4 mm. Maintaining this scheme will allow the material / fins to operate freely. We remind you that the measurement is always made in three places, choosing the smallest obtained value.

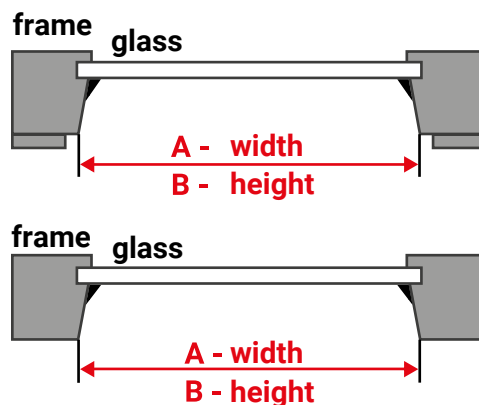
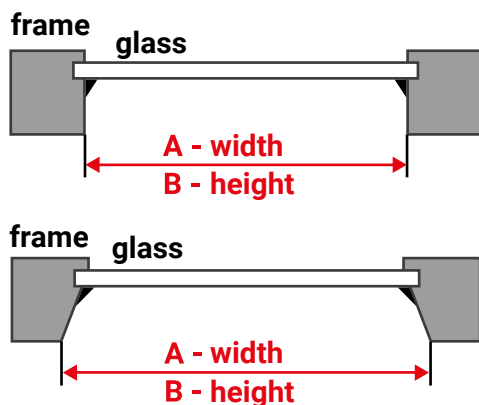
Version with guidemi(standard): pleated roller blind equipped with guides.

MEASUREMENT:

- Fakro window manufacturer: pleated blind will be 2 cm narrower than the dimension given on the order,
- other manufacturers: pleated blind will be narrower by 1.6 cm than the dimension given on the order,

Version without guides(you need to indicate on the order): pleated roller blind equipped with steel strands measurement:

- width from order = total width of pleated blind including blinds

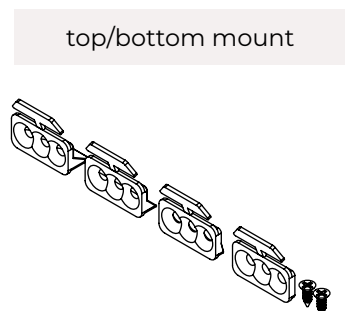


PLEATED BLIND VEGAS PLISSE [FOR ROOF WINDOWS]

INSTALLATION

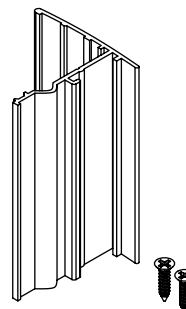
invasive

» Guides screwed with mounting screws(available in the set).



invasive

» Guides screwed with mounting screws(available in the set).



The final price of each PLISA is determined by: **Price of material + Price of system components**

PRICE LIST OF MATERIALS:

Fabric	Price zł/m2	Fabric	Price zł/m2	Fabric	Price zł/m2	Fabric	Price zł/m2
Allegro	59,00	Favo Blackout	80,00	Opera Print	91,00	Rialto Pearl	103,00
Allegro Pearl	65,00	Fiona Easycare Doppio	252,00	Porto	112,00	Rialto Print	110,00
Blooom	103,00	Fresco Blackout	100,00	Porto Pearl	125,00	Scala Blackout I	147,00
California	157,00	Giaconda Blackout	197,00	Prato	115,00	Scala Blackout II	209,00
California Shine Print	154,00	Kuba	49,00	Prato Pearl	123,00	Stockholm	191,00
Disco	110,00	Merino	113,00	Presto Print	87,00	Swing Blackout	145,00
Disco Blackout	139,00	Merino Blackout	202,00	Prima	55,00	Tango Blackout	224,00
Duo Rosso	80,00	Metallic Easy Care	106,00	Prima Blackout	135,00	Venezia	71,00
Ermitage	99,00	Moon Print Doppio	428,00	Prima Pearl	65,00	Waves	103,00
Falliero Metallic	130,00	Notte Blackout	85,00	Rialto	102,00		

The lowest area of the material when calculating the price is 0.5m2. Recommended width of pleats: up to 120cm Above this dimension, the so-called pleat smile may occur, which can not be a reason for complaint.

PRICE LIST OF SYSTEM COMPONENTS:

VARIANT V - ROOF WINDOWS - VEGAS PLISSE

Width	20	30	40	50	60	70	80	90	100	110	120	130
Price (zł) standard color	153	158	162	173	177	191	195	203	207	212	216	220
Price (zł) color extra	159	165	172	185	191	207	213	223	228	236	241	248

SURCHARGES

» control stick (length required) 27,00zł/mb

NOTE!

Vegas Plisse guide colors for roof window:

- » white
- » silver
- » pine
- » brown
- » cream
- » golden oak

PLEATED BLIND VEGAS PLISSE [FOR ROOF WINDOWS]

COLOURS STANDARD

anthracite



white



brown RAL 8028



cream



grey



silver



black lacquer.



COLOURS EXTRA

swamp oak



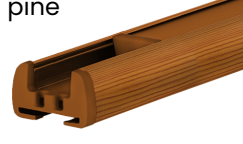
mahogany



walnut



pine



winchester



golden oak



COLOURS PROWADNIC

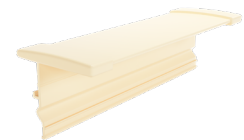
white



silver



cream



pine



brown



ACCESSORIES

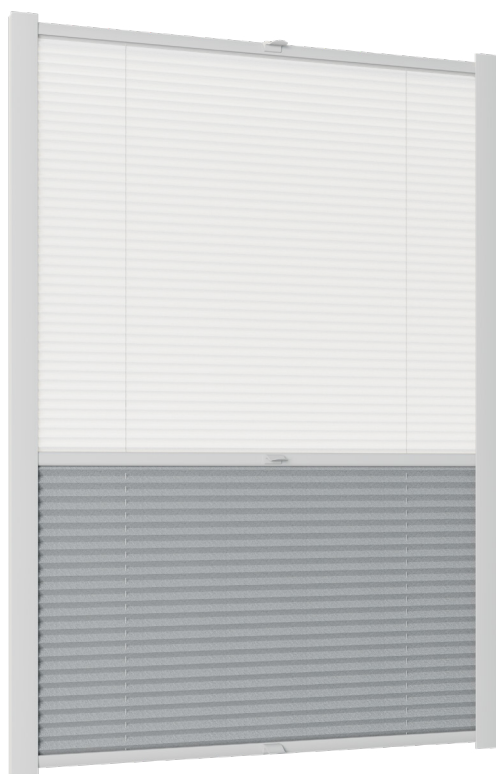


Control stick

- cut to size
- color: white

PLEATED BLIND VEGAS PLISSE [FOR ROOF WINDOWS]

VEGAS PLISSE DUO



- » Made of durable aluminum.
- » It consists of two fabrics and three profiles.
- » Completely or partially cover a window with one of the two fabrics or use both at the same time.
- » Three moving profiles.
- » Possibility to combine different types of fabrics
For example, blackout + curtain fabrics.

VARIANT V - ROOF WINDOWS - VEGAS PLISSE

Width	20	30	40	50	60	70	80	90	100	110	120	130
Price (zł) standard color	199	205	210	224	229	247	254	264	269	275	281	286
Price (zł) color extra	206	215	223	241	247	269	277	290	297	306	313	323

Diagram for calculating the price of duo pleat:

$m^2 \times \text{Price of fabric A} + m^2 \times \text{Price of fabric B} + \text{Price of equipment according to the table.}$

ACCESSORIES

Set for MINI SLIM (mechanism, chain, sides, hangers)	11,00 zł/kpl
Set for MINI VEGAS (mechanism, chain, sides, string, hangers), standard color	16,00 zł/kpl
Set for MINI VEGAS (mechanism, chain, sides, string, hangers), wood-like color	26,00 zł/kpl
Set for MINI VEGAS day and night (mechanism, chain, sides, string, hangers), standard color	21,00 zł/kpl
Set for MINI VEGAS day and night (mechanism, chain, sides, string, hangers), wood-like color	31,00 zł/kpl
Set for WALL MOUNT (mechanism, chain, sides)	13,00 zł/kpl
Set for DEKOLUX roof windows	32,00 zł/kpl
Set for PCV / ALU VEGAS CLASSIC, ALU KLAUDIA, standard color	19,00 zł/kpl
Set for PCV / ALU VEGAS CLASSIC, ALU KLAUDIA, wood-like color	29,00 zł/kpl
Set for ALU VEGAS PROFILE, standard color	21,00 zł/kpl
Set for ALU VEGAS PROFILE, wood-like color	34,00 zł/kpl
Set for MINI DAY AND NIGHT	16,00 zł/kpl
Mechanism for free-hanging blind XL (fi 38)	65,00 zł/kpl
Winding tube fi13, fi17, fi18	10,00 zł/m
Winding tube fi24	15,00 zł/m
Winding tube fi32	20,00 zł/m
Aluminum tube for free-hanging blind XL (fi 38)	35,00 zł/m
Cover for PCV CLASSIC cassette, standard color	21,00 zł/m
Cover for PCV CLASSIC cassette, wood-like color	32,00 zł/m
Cover for ALU CLASSIC cassette, standard color	32,00 zł/m
Cover for ALU CLASSIC cassette, wood-like color	48,00 zł/m
Cover for ALU/PCV VEGAS CLASSIC blind, standard color	2,00 zł per piece
Cover for ALU/PCV VEGAS CLASSIC blind, color at extra cost	5,00 zł per piece
Cover for ALU VEGAS PROFILE blind, standard color	3,00 zł per piece
Cover for ALU VEGAS PROFILE blind, color at extra cost	6,00 zł per piece
Cover for ALU KLAUDIA blind, standard color	3,00 zł per piece
Cover for ALU KLAUDIA blind, color at extra cost	3,00 zł per piece
Flat guide 30 mm PCV, standard color	4,00 zł/m
Flat guide 30 mm PCV, wood-like color	12,00 zł/m
Flat guide 30 mm ALU, standard color	9,00 zł/m
Flat guide 30 mm ALU, wood-like color	16,00 zł/m
Flat guide 37 mm ALU, standard color	14,00 zł/m
Flat guide 37 mm ALU, wood-like color	23,00 zł/m
Flat guide 38 mm ALU, color white, brown	14,00 zł/m
Curved guide 32 mm PCV, standard color	5,00 zł/m
Curved guide 32 mm PCV, wood-like color	13,00 zł/m
Spacer guide PCV, color white	7,00 zł/m
Spacer guide ALU, standard color	13,00 zł/m
Spacer guide ALU, wood-like color	21,00 zł/m
Wide guide for roof blind, standard color	25,00 zł/m
Wide guide for roof blind, wood-like color	33,00 zł/m
String guide	2,00 zł/m
Weighting bar for fabric (for MINI blinds)	9,00 zł/m

ACCESSORIES

Chain weight	3,00 zł per piece
Drive chain	3,00 zł/m
Chain for free-hanging blind XL (fi 6.5)	3,00 zł/m
Chain connector fi 6.5 for free-hanging blind XL	1,01 zł per piece
Magnet with hole	3,00 zł per piece
Weight bar end cap with string grommet	2,00 zł per piece
Wall bracket for roman, vertical blind	3,00 zł per piece
Stick for controlling pleated blind	27,00 zł per piece
ALU, PCV standard hanger non-invasive or invasive for MINI blinds (top or bottom)	2,00 zł per piece
Extended ALU hanger non-invasive for MINI blinds	3,00 zł per piece
Fabric tape (top and bottom)	3,00 zł/m
Foam tape	2,00 zł/m
Blind fabric group I	24,00 zł/m*
Blind fabric group II	35,00 zł/m*
Blind fabric group III	50,00 zł/m*
Blind fabric group IV	78,00 zł/m*
Blind fabric BH I, III, FLAMENCO	29,00 zł/m ^{2**}
Blind fabric BH II, V, VI, XV	35,00 zł/m ^{2**}
Blind fabric BH VII, IX, XXIX	74,00 zł/m ^{2**}

*Price applies to fabrics up to a height of 170 cm, above this height SURCHARGES as for height in roller blinds

**height counted twice

NOTE!

Requests for quotations for Accessories not listed in the price list should be addressed to the Sales Department.

MAXIMUM WINDING OF SMOOTH FABRICS

GRUPA TKANINOWA	MINI SLIM	MINI VEGAS	FRE-HAN- GING	FRE-HAN- GING XL	SONO S	SONO L	ALU VEGAS PROFIL	ALU/PCV VEGAS CLASSIC	FREE -HAN- GING MAXI	OMBRA
EDEN I	280	280	300	300	240	260	300	240	300	300
EDEN II	280	280	300	300	240	260	300	240	300	300
EDEN III	280	280	300	300	240	260	300	240	300	300
MALOYA	290	290	300	300	240	260	260	190	300	300
MADAGA- SKAR	290	290	300	300	240	260	260	190	300	300
TANGO	290	290	300	300	240	260	300	200	300	300
SALSA	250	250	300	300	240	260	290	240	300	300
SAMBA	200	200	300	300	-	140	230	130	300	280
JULIA C300	260	260	300	300	240	260	280	200	300	300
JULIA C100	240	240	300	300	240	260	220	150	300	300
LUMINIS	280	280	300	300	280	300	300	240	300	300
CAMILA	280	280	300	300	280	300	300	240	300	300

WINDING

MAXIMUM WINDING OF DAY/NIGHT FABRICS IN MANUAL ROLLER BLINDS

GRUPA TKANINOWA	D/N MINI TYPICAL	D/N MINI	D/N MINI VEGAS	D/N FREE- HAN- GING	D/N ALU CLASSIC	D/N ALU CLASSIC XL	D/N ALU PROFIL	D/N Halfcas- sette	D/N MAXI	D/N SONO L	D/N SONO S
BAHAMA I	220	220	220	250	200	250	260	190	240	240	180
BAHAMA II	-	220	220	240	140	190	170		240	160	80
BAHAMA III	220	220	220	250	180	230	220	190	240	240	140
BAHAMA V	-	220	220	250	110	190	220	-	230	240	150
BAHAMA VI	-	220	220	250	140	220	200	-	230	180	130
BAHAMA VII	-	220	220	250	190	240	260	-	240	190	110
BAHAMA IX	-	220	220	250	220	240	260	-	240	250	220
BAHAMA IX FR	-	220	220	250	220	250	250	-	240	250	220
BAHAMA XV	-	220	220	250	160	230	210	-	240	240	160
BAHAMA XXIX	-	220	220	250	170	220	230	-	230	240	140
ESPERANZA I	-	220	170	250	100	170	150	-	250	160	90
ESPERANZA VIII	-	180	160	230	100	130	150	-	210	130	80
ESPERANZA IX	-	220	220	250	160	230	260	-	250	240	180
PAPAVERO		220			120	140		260	220		



www.fill.com.pl