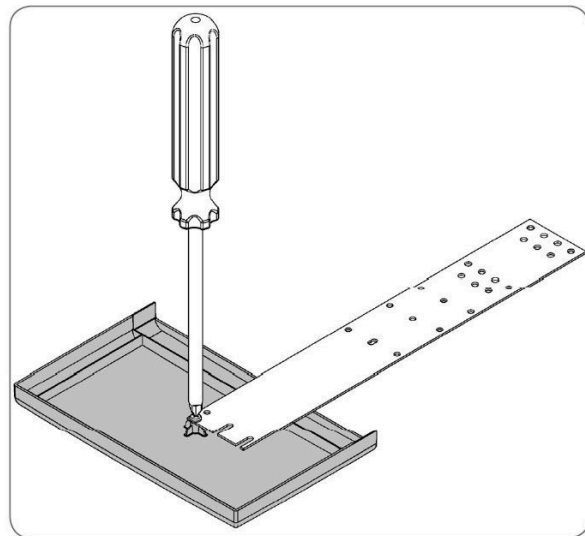
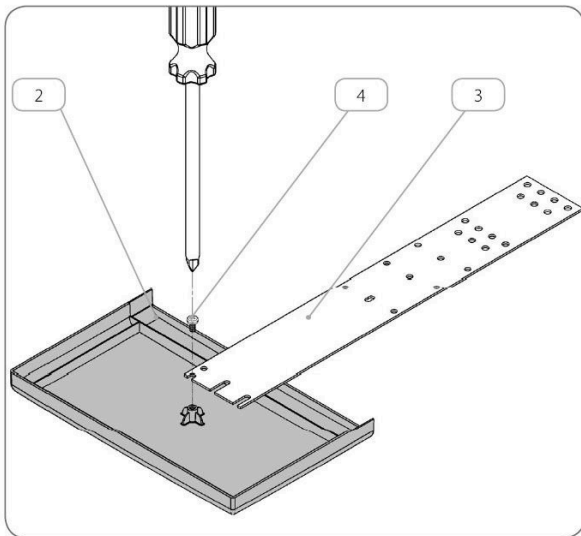
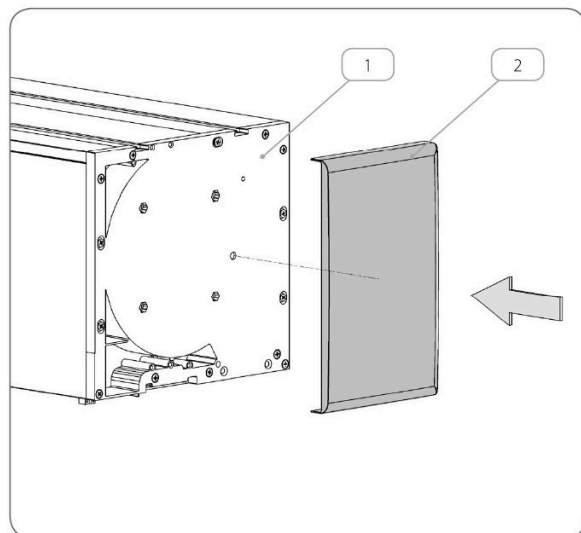
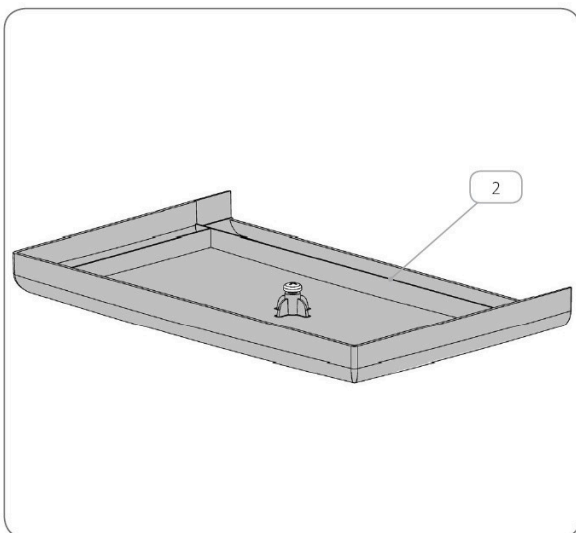


SIDE COVERS IN THE SKT OPOTERM SYSTEM

The NPB and NOPB side cover caps are attached by snapping into the side cover
- a WKR/Zn/W/4x8 screw is screwed into the cover (the screw cannot be fully tightened, the LPB-RO connector can be used as a spacer).



The screw is driven into the hole in the side cover using slight force.



Standard side covers:

- if you purchase roller blinds from NPB or NOPB – the cover is installed
- if you purchase NPB or NOPB – the cover is equipped with a screw