

PERGOLE



PRODUCENT ROLET | ŻALUZJI

LISTING CONTENTS



SONO

Lamellar - free-standing

Pg . 5

1

MODERNA

Fabric - wall-mounted

Pg . 9

2

ESCLUSIVO

Fabric - freestanding

Pg . 13

3

FILL

Lamellar - wall-mounted

Pg . 19

4

FILL

Lamellar - free-standing

Pg .
23

5

ACCESSORIES

Roller shutters, Weather sensors, Remote controls

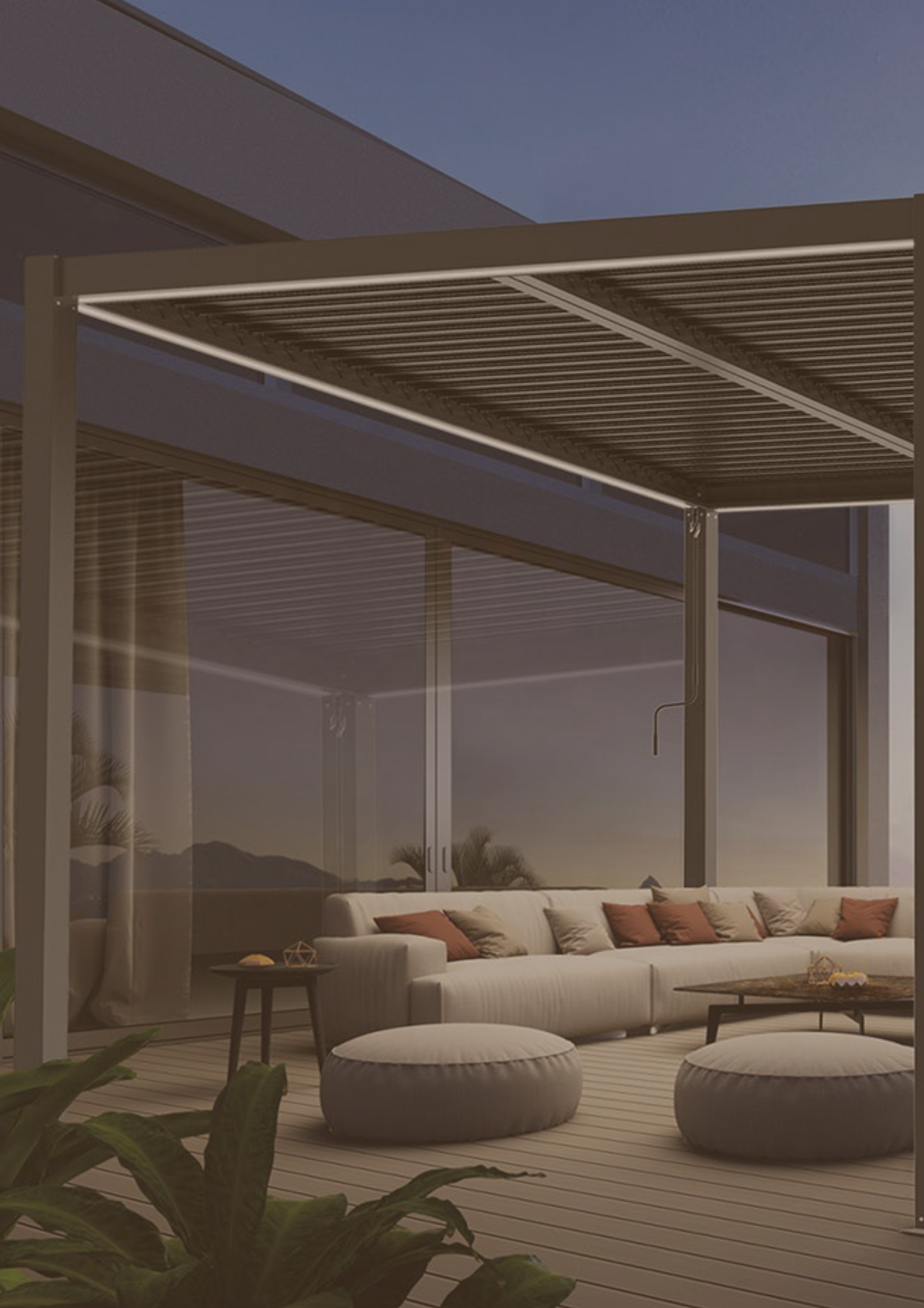
Pg . 36

6





STANDARD



SONO

**Fin Pergola
free-standing**





Dimensions		Width (cm)	
		294	394
Overhang (cm)	294	✓	* ✓
	394	✓	✓

Additional data	Description
Lighting	RGB LED Color + Remote Control
Control	Hand crank (2 pcs)
Height pergolas	250 cm

* Pergola 394 x 394 (Width x Overhang) does not come in color PG3314

Available colors



RAL7016 Anthracite



PG3314 Graphite structural




PF71044 White structural

Dimensions		Width (cm)
		580
Overhang (cm)	294	✓
	394	✓

Additional data	Description
Lighting	RGB LED Color + Remote Control
Control	Hand crank (4 pcs)
Height pergolas	250 cm

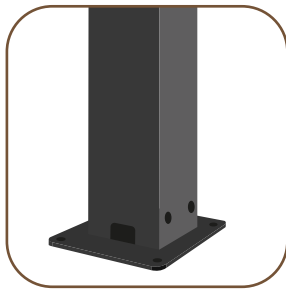
* The pergola is equipped with six poles



RAL7016 Anthracite

* drainage in all columns available as standard

SONO lamellar pergola - free-standing



Structural elements

Name	Beam structural konstrukcyjna	Post	Lamel
Figure			





MODERNA

**Fabric pergola
wall-mounted**



2



Dimensions		Width (cm)	
		294	394
Overhang (cm)	294	✓	✓
	394	✗	✓

Additional data	Description
Lighting	LED White
Control	Motor + remote control
Height pergolas	250 cm



Available colors

 <p>PG3314 Graphite structural</p>	 <p>PA1018 Fabric Anthracite</p>
------------------------------------------------------------------------------------------------------------------------------	------------------------------------------------------------------------------------------------------------------------------

Dimensions		Width (cm)
		394
Overhang (cm)	294	✓
	394	✓

Additional data	Description
Lighting	LED White
Control	Motor + remote control
Height pergolas	250 cm

Available colors

 <p>RAL7016 Anthracite</p>	 <p>PA1018 Fabric Anthracite</p>
----------------------------------------------------------------------------------------------------------------------	------------------------------------------------------------------------------------------------------------------------------



Structural elements

Name	Beam structural	Post
Figure		

MODERNA fabric pergola - wall-mounted



ESCLUSIVO

**Fabric pergola
freestanding**

3





Dimensions		Width (cm)	
		294	394
Overhang (cm)	294	✓	✓
	394	✗	✓

Additional data	Description
Lighting	LED White
Control	Motor + remote control
Height pergolas	250 cm

Available colors



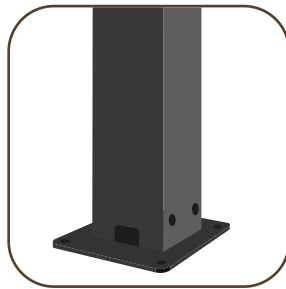
PG3314
Graphite structural



PA1018
Fabric Anthracite



ESCLUSIVO fabric pergola - freestanding



Structural elements

Name	Beam structural	Post
Figure		





VIP

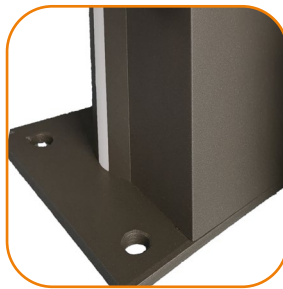




Fill

Slatted pergola
wall-mounted

4



Structural elements

Name	Beam structural	Post	Lamel
Figure			

FILL slatted pergola - wall-mounted

Dimensions		Width (cm)						
		100	150	200	250	300	350	400
Overhang (cm)	240	✓	✓	✓	✓	✓	✓	✓
	260	✓	✓	✓	✓	✓	✓	✓
	280	✓	✓	✓	✓	✓	✓	✓
	300	✓	✓	✓	✓	✓	✓	✓
	320	✓	✓	✓	✓	✓	✓	✓
	340	✓	✓	✓	✓	✓	✓	✓
	360	✓	✓	✓	✓	✓	✓	✓
	380	✓	✓	✓	✓	✓	✓	✓
	400	✓	✓	✓	✓	✓	✓	✓
	420	✓	✓	✓	✓	✓	✓	✓
	440	✓	✓	✓	✓	✓	✓	✓
	460	✓	✓	✓	✓	✓	✓	✓
	480	✓	✓	✓	✓	✓	✓	✓
	500	✓	✓	✓	✓	✓	✓	✓
	520	✓	✓	✓	✓	✓	✓	✓
	540	✓	✓	✓	✓	✓	✓	✓
	560	✓	✓	✓	✓	✓	✓	✓
	580	✓	✓	✓	✓	✓	✓	✓
600	✓	✓	✓	✓	✓	✓	✓	

Pergola in standard configuration includes: complete construction, laths, electric drive with Controlm brand SOMFY along with one Situo 5 RTS / IO remote control of your choice.

Overhang is made at intervals of 20 cm,

Height pergolas maximum structure is 300cm.

Higher structures are subject to individual consultation with the sales department.

Available colors structures

 RAL7016 Anthracite	 RAL9016 White	 FSM71319 Graphite structural
--------------------------------------------------------------------------------------------------------	---------------------------------------------------------------------------------------------------	-------------------------------------------------------------------------------------------------------------------

The product in the standard configuration can be painted in any color from the RAL palette - at no extra charge.

Additional options:

- Lighting LED montowane w pergoli
- points oświetleniowe - zgodnie z tabelą
- elementy sterujące Lightingm
- indywidualne przygotowanie odwodnienia / structures pergoli

Lighting points

Dimensions		Width (cm)	
		140 - 250	275 - 400
Overhang (cm)	140 - 340	4 points	4 points
	360 - 520	6 points	6 points
	540 - 700	8 points	8 points

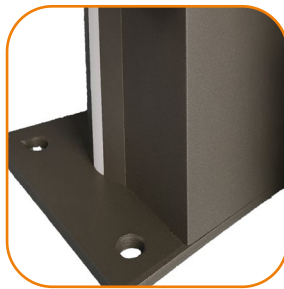


Fill

**Fin Pergola
free-standing**

5





Structural elements

Name	Beam structural	Post	Lamel
Figure			

FILL slatted pergola - free-standing

Dimensions		Width (cm)						
		100	150	200	250	300	350	400
Overhang (cm)	240	✓	✓	✓	✓	✓	✓	✓
	260	✓	✓	✓	✓	✓	✓	✓
	280	✓	✓	✓	✓	✓	✓	✓
	300	✓	✓	✓	✓	✓	✓	✓
	320	✓	✓	✓	✓	✓	✓	✓
	340	✓	✓	✓	✓	✓	✓	✓
	360	✓	✓	✓	✓	✓	✓	✓
	380	✓	✓	✓	✓	✓	✓	✓
	400	✓	✓	✓	✓	✓	✓	✓
	420	✓	✓	✓	✓	✓	✓	✓
	440	✓	✓	✓	✓	✓	✓	✓
	460	✓	✓	✓	✓	✓	✓	✓
	480	✓	✓	✓	✓	✓	✓	✓
	500	✓	✓	✓	✓	✓	✓	✓
	520	✓	✓	✓	✓	✓	✓	✓
	540	✓	✓	✓	✓	✓	✓	✓
	560	✓	✓	✓	✓	✓	✓	✓
	580	✓	✓	✓	✓	✓	✓	✓
600	✓	✓	✓	✓	✓	✓	✓	

Pergola in standard configuration includes: complete construction, laths, electric drive with Controlm brand SOMFY along with one Situo 5 RTS / IO remote control of your choice.

Overhang is made at intervals of 20 cm,

Height pergolas maximum structures is 300cm.

Higher structures are subject to individual consultation with the sales department.

Available colors structures

 RAL7016 Anthracite	 RAL9016 White	 FSM71319 Graphite structural
--------------------------------------------------------------------------------------------------------	---------------------------------------------------------------------------------------------------	-------------------------------------------------------------------------------------------------------------------

The product in the standard configuration can be painted in any color from the RAL palette - at no extra charge.

Additional options:

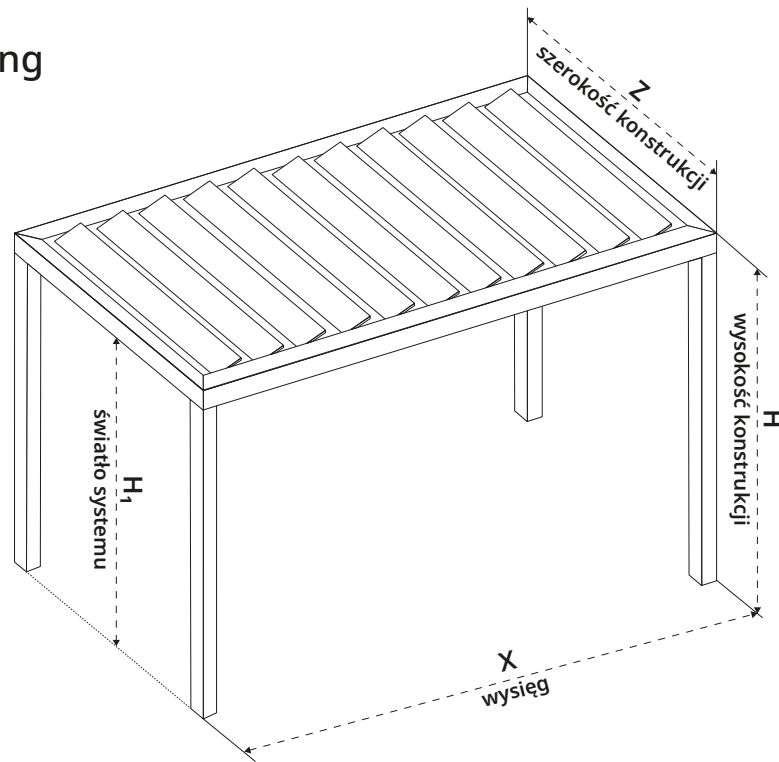
- LED lighting mounted in the pergola
- lighting points - according to the table
- Lightingm controls
- individual preparation of drainage / pergola structures

Lighting points

Dimensions		Width (cm)	
		140 - 250	275 - 400
Overhang (cm)	140 - 340	4 points	4 points
	360 - 520	6 points	6 points
	540 - 700	8 points	8 points

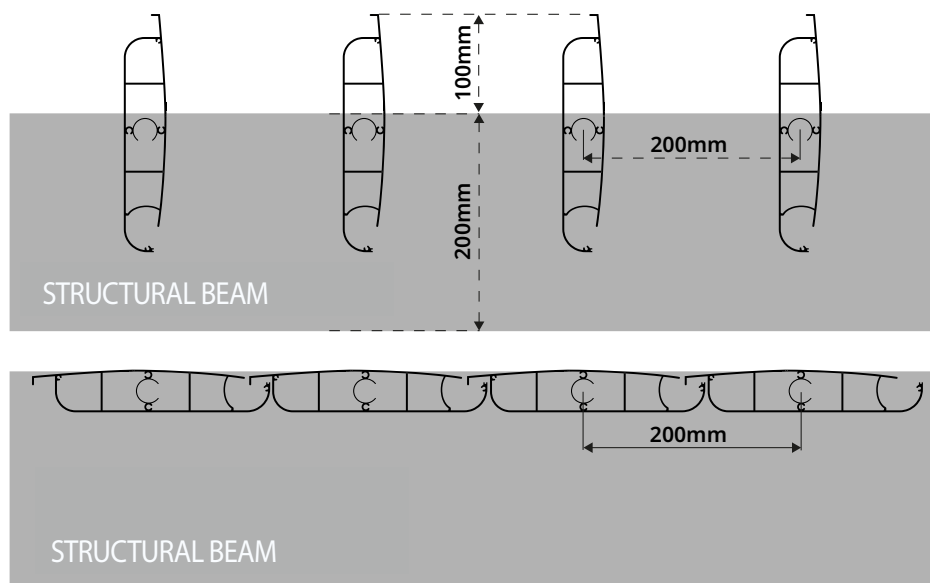
PERGOLA

Dimensioning



Dimensioning the pergola:

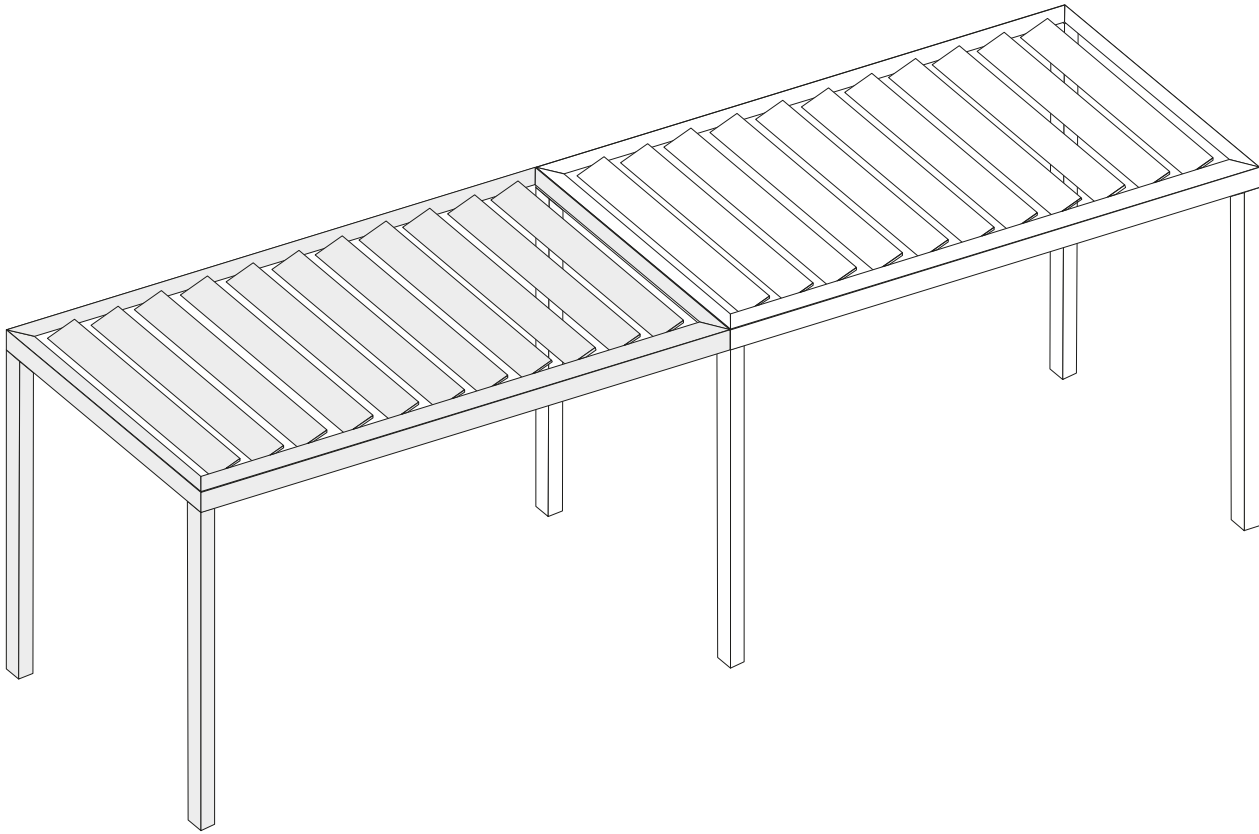
- Z - Width (max. 4000mm)
- Z₁- Width of light structures (Z - 254mm)
- X - Overhang structures (max. 6000mm)
- X₁- Overhang light width (X - 254mm)
- H - Height pergolas structures (max. 3000mm)
- H₁- Height pergolas light structures (H - 200mm)
- H₂- Height pergolas at vertical lamella position (H + 100mm)



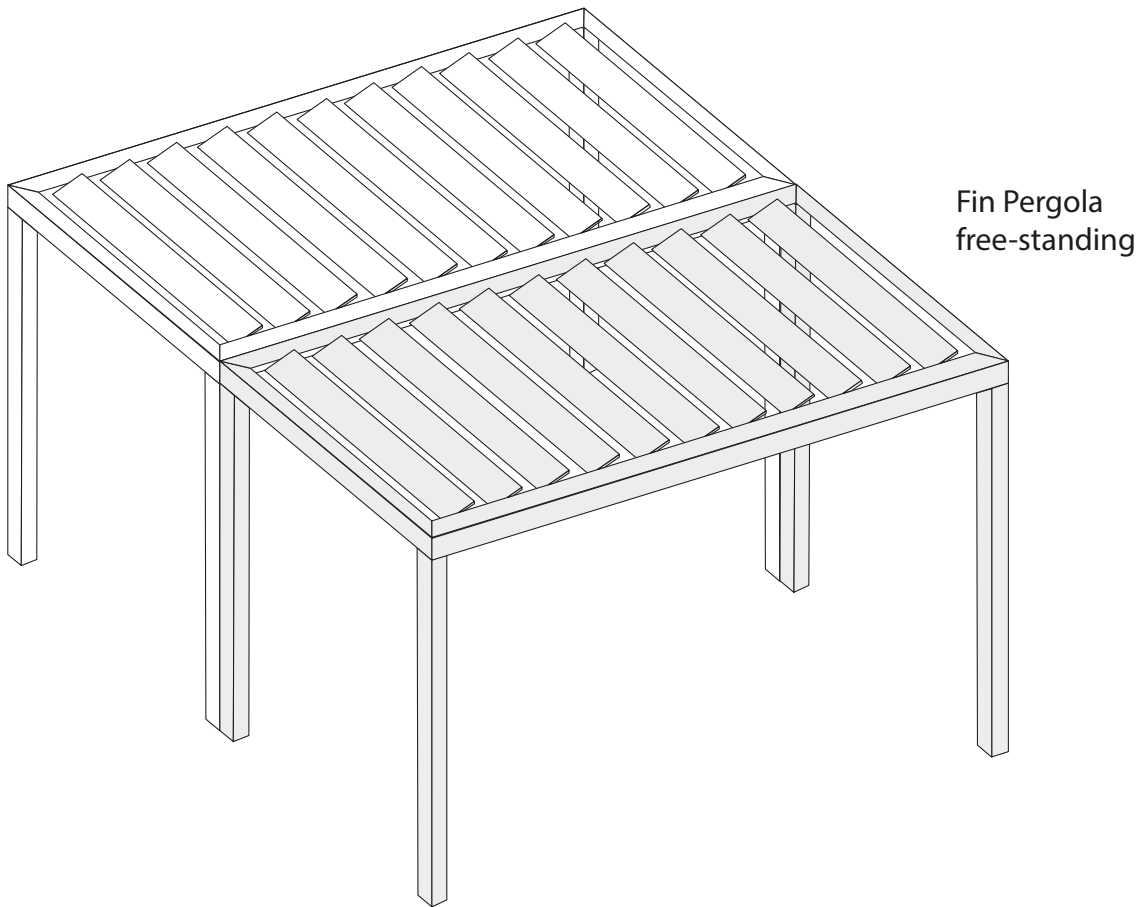
* The control mechanism when the pergola is closed protrudes 15mm above the outline of the structures

FILL slatted pergola - free-standing

PERGOLA
modular connections



Two-module pergola - Overhang maximum 2 x 6000mm

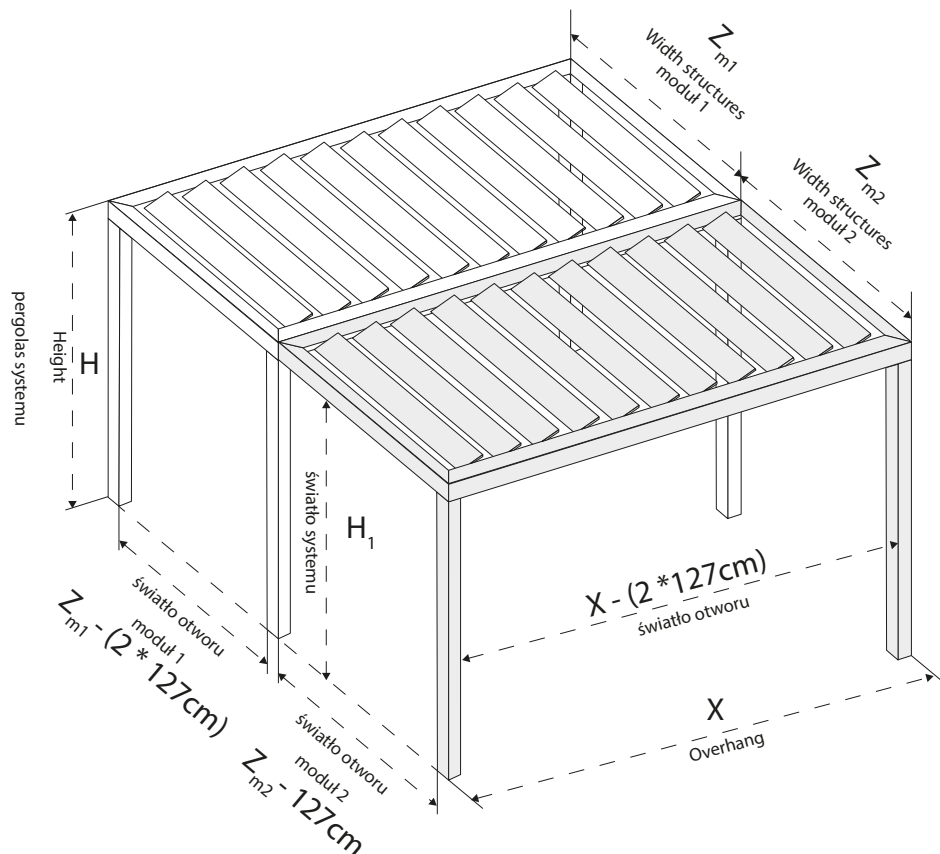
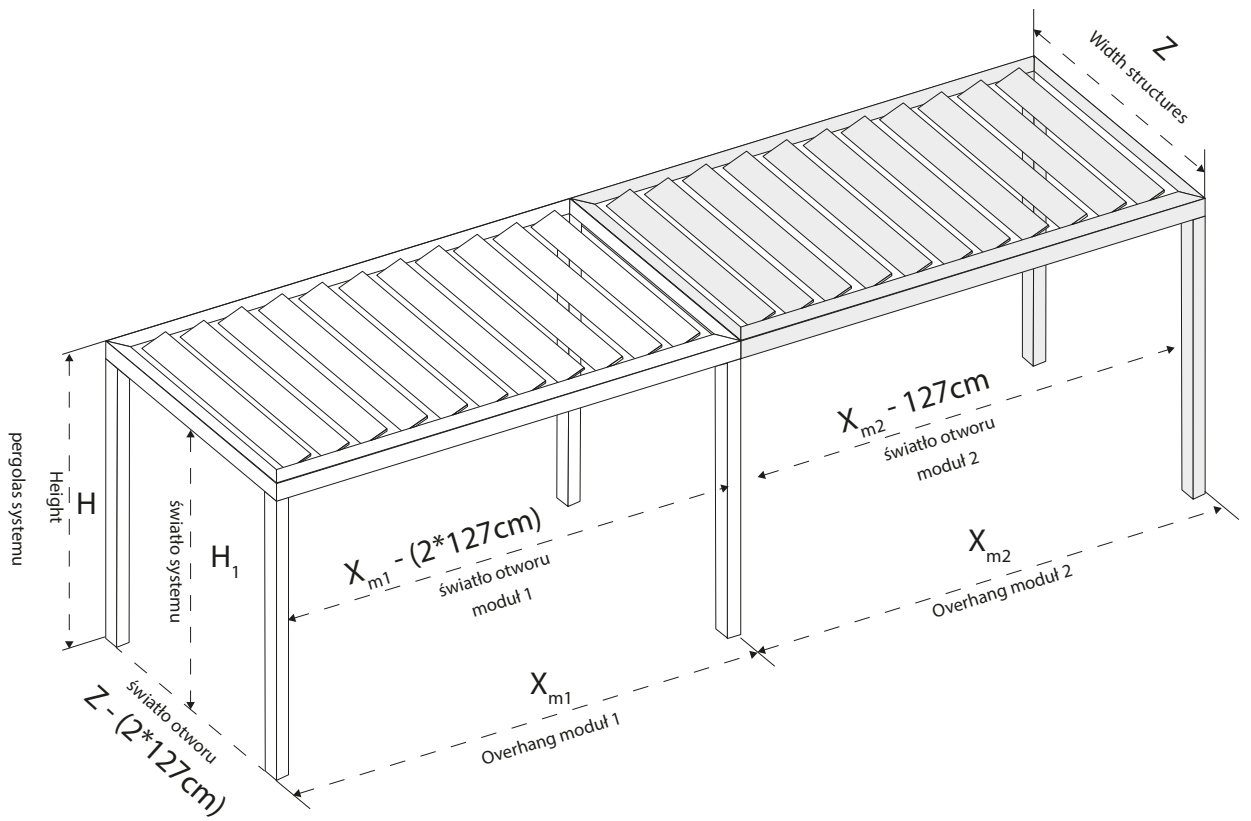


Two-module pergola - Width maximum 2 x 4000mm

FILL slatted pergola - free-standing

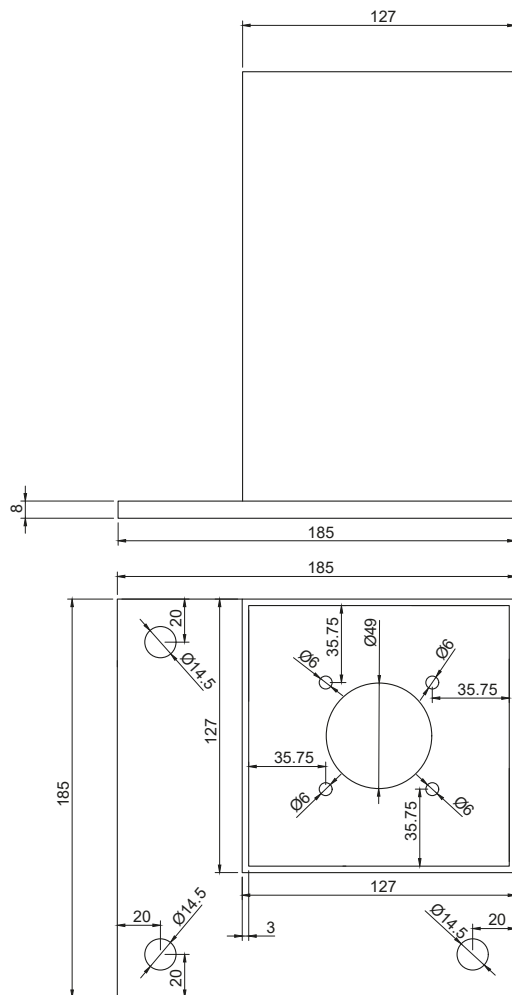
PERGOLE

Wymiarowanie modułów

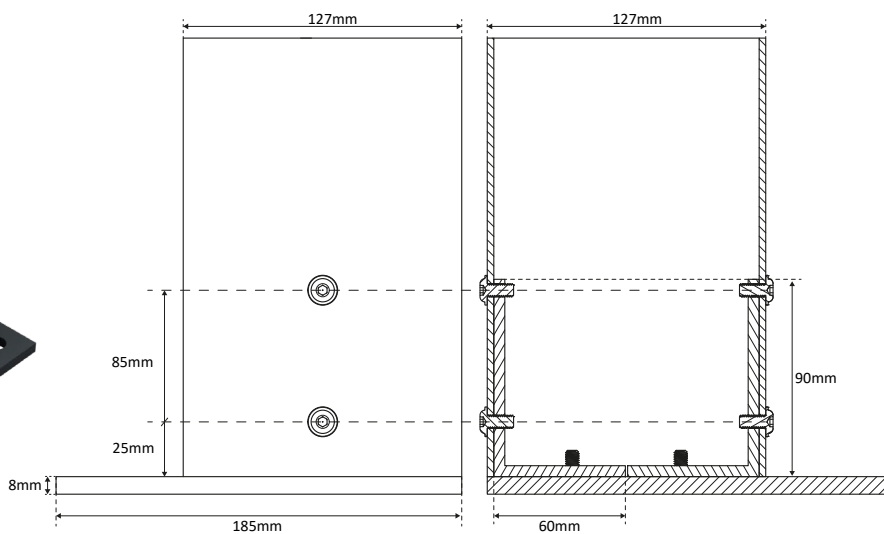


PERGOLE

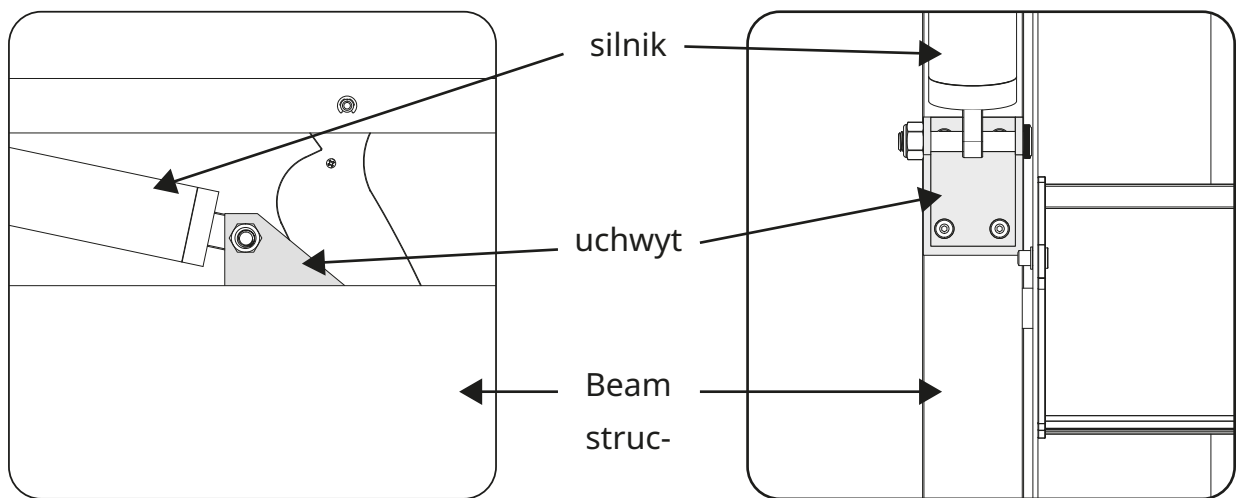
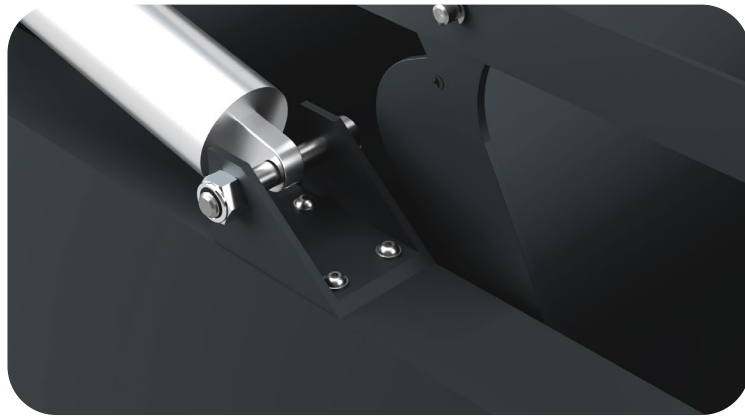
Post fixed foot - basic variant



Bolted Post foot - optional variant



PERGOLE
Mocowanie silnika

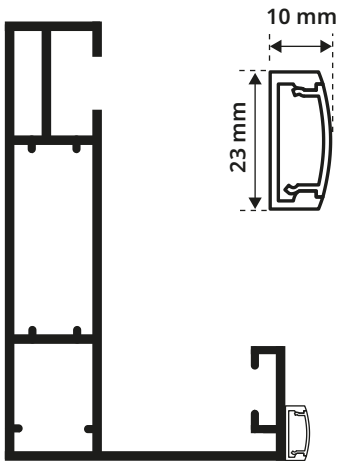


PERGOLA

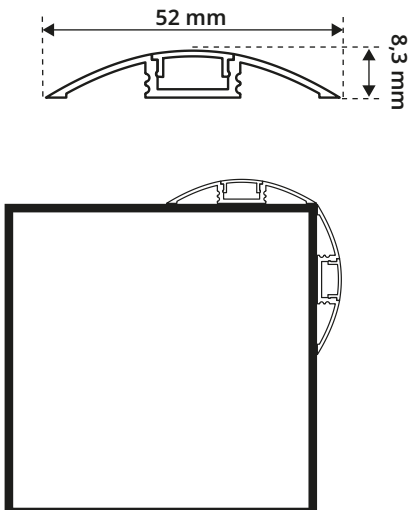
Lighting LED



Lighting LED roof

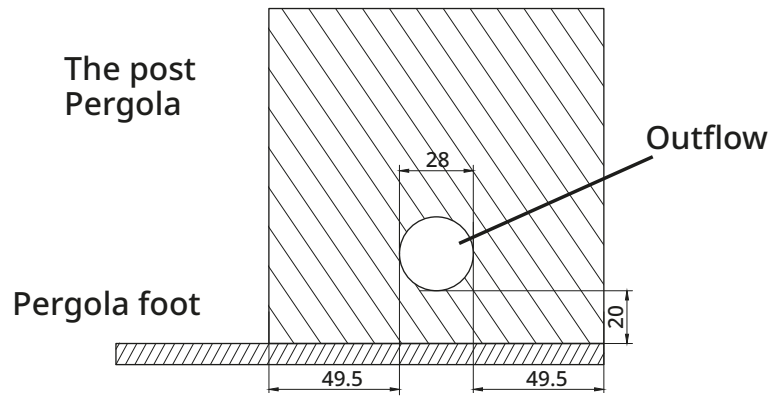


Lighting LED posts

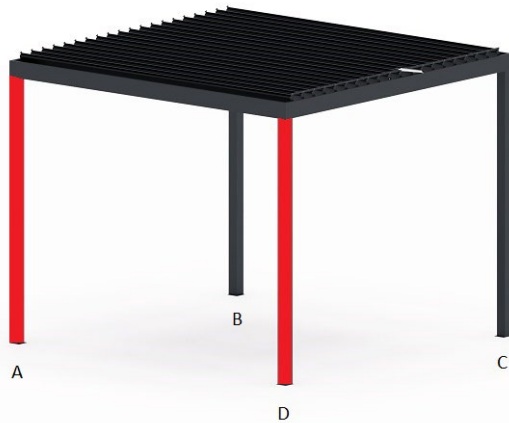


PERGOLES

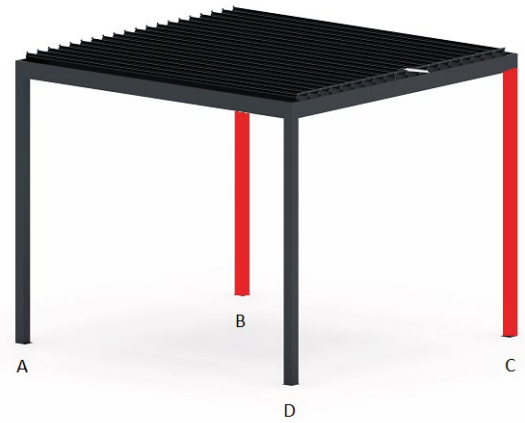
Drainage



Pergola drainage

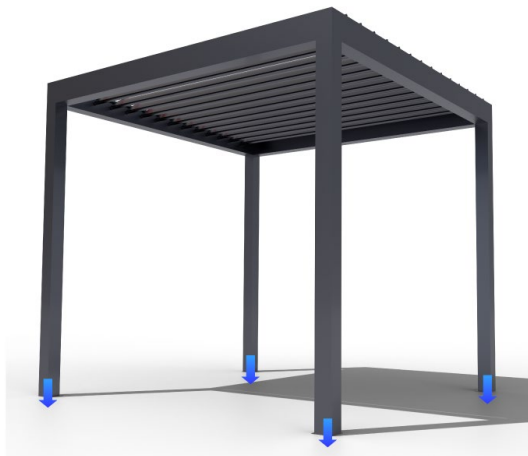


Posts: A, D



Posts: B, C

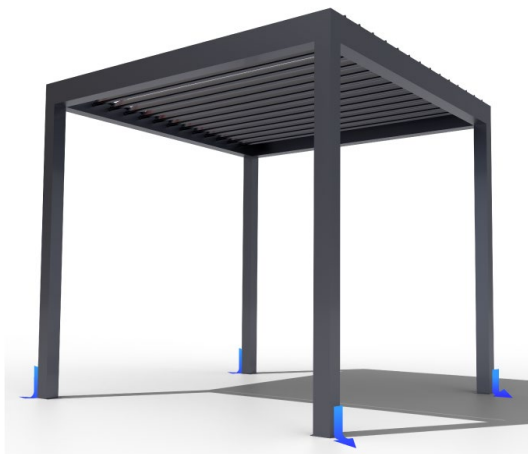
Typ odwodnienia



From the bottom



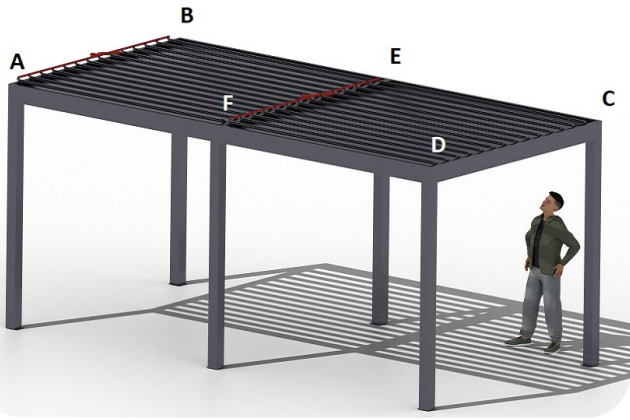
Sidebar A



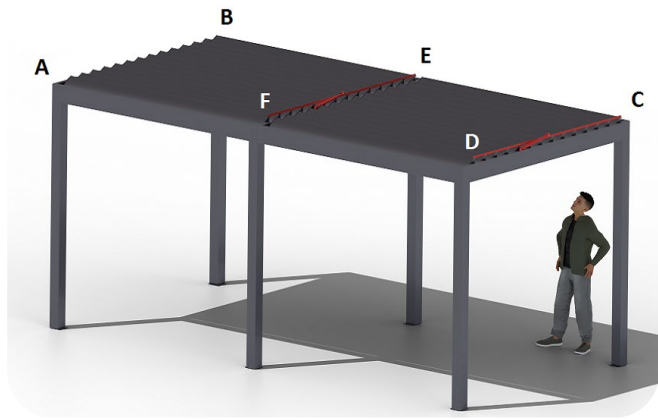
Sidebar B

PERGOLE

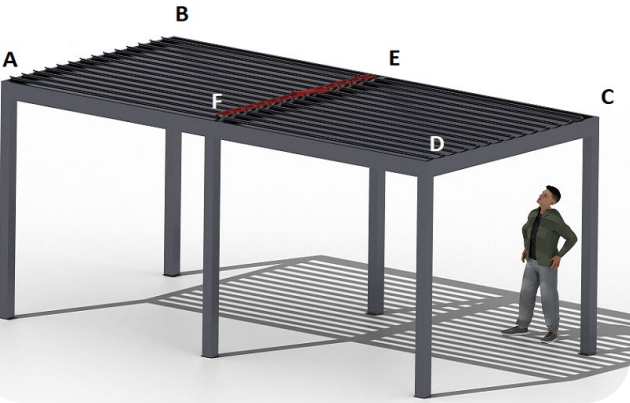
Control side



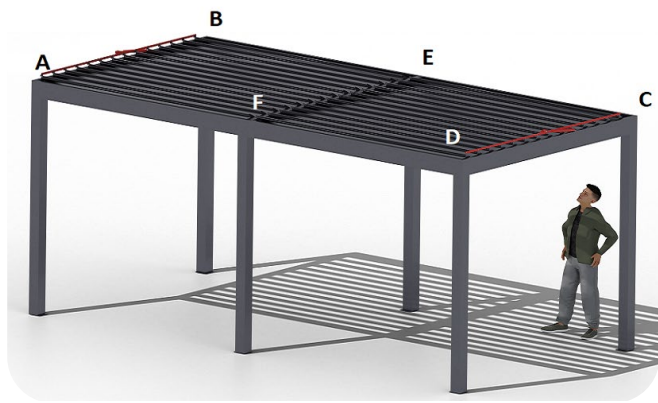
Rights



Left

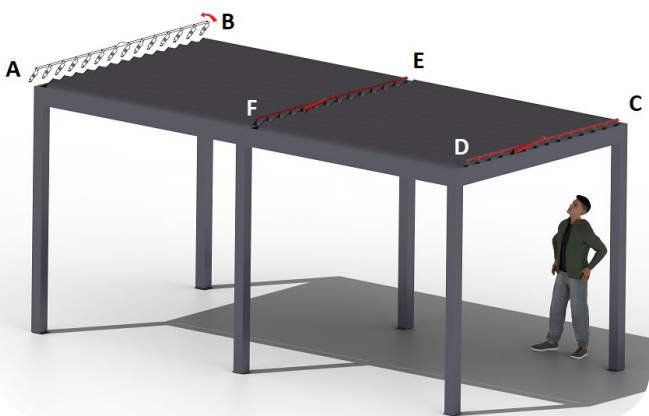


Measure

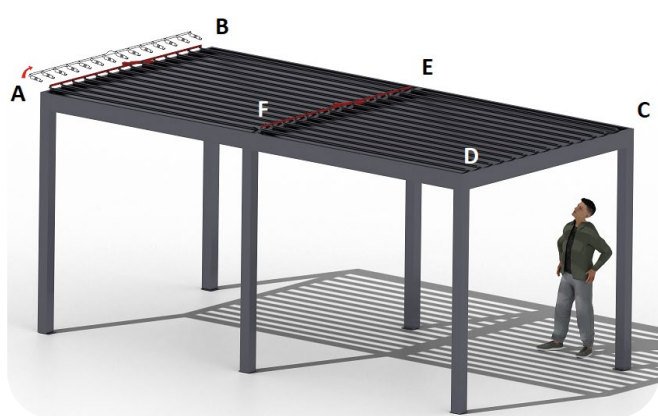


Outside

Direction of slats opening



Forward

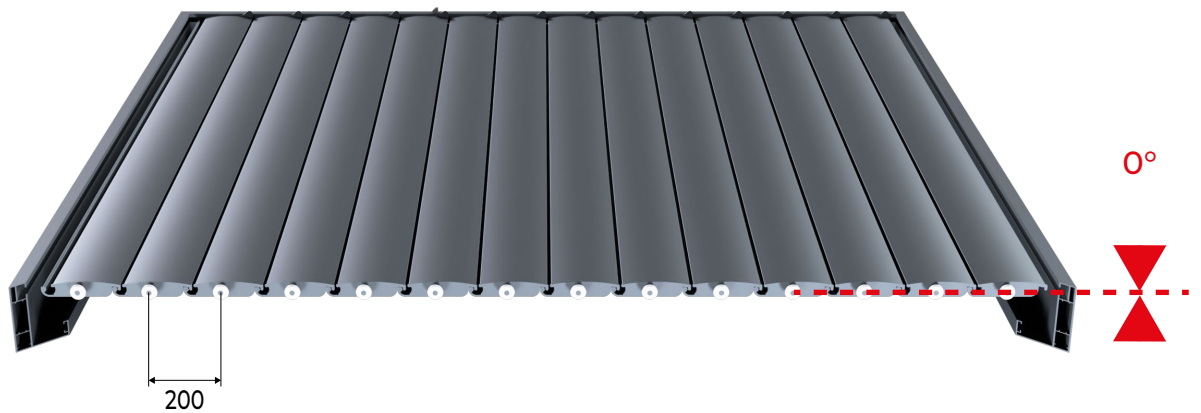


Backwards

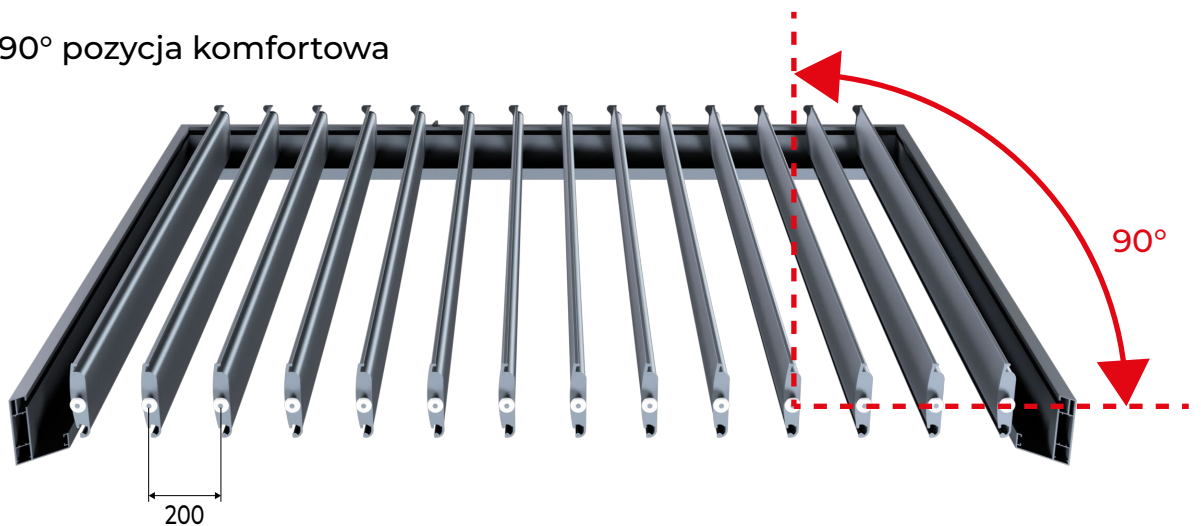
PERGOLE

Zakres pracy lameli

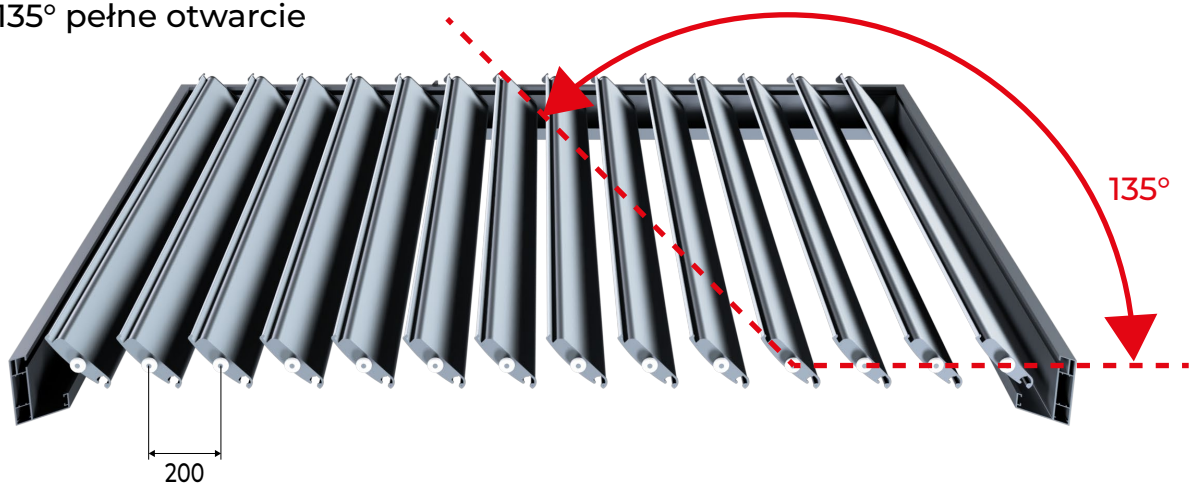
0° pełne zamknięcie



90° pozycja komfortowa



135° pełne otwarcie





Akcesoria

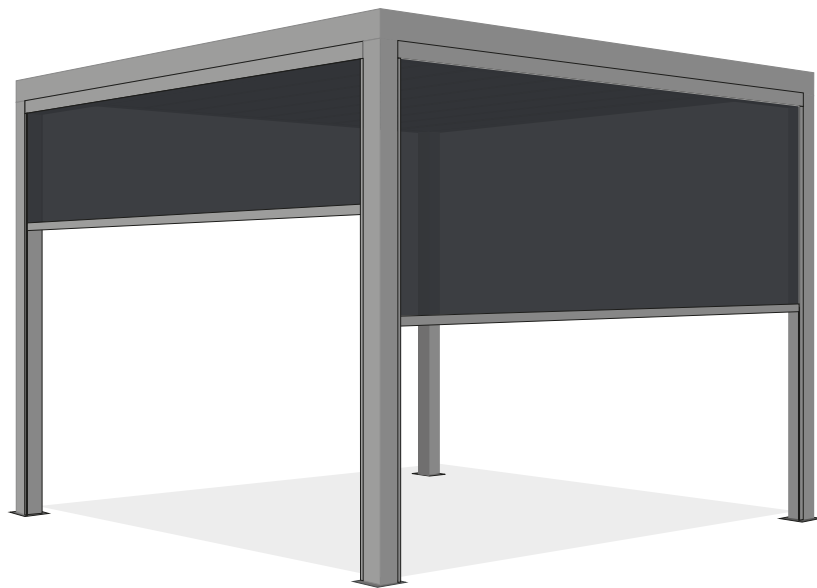
**Roller shutters
Weather sensors
Remote controls**

6





Possibility to expand the pergola with SCREEN blinds








SP90 system
125mm box






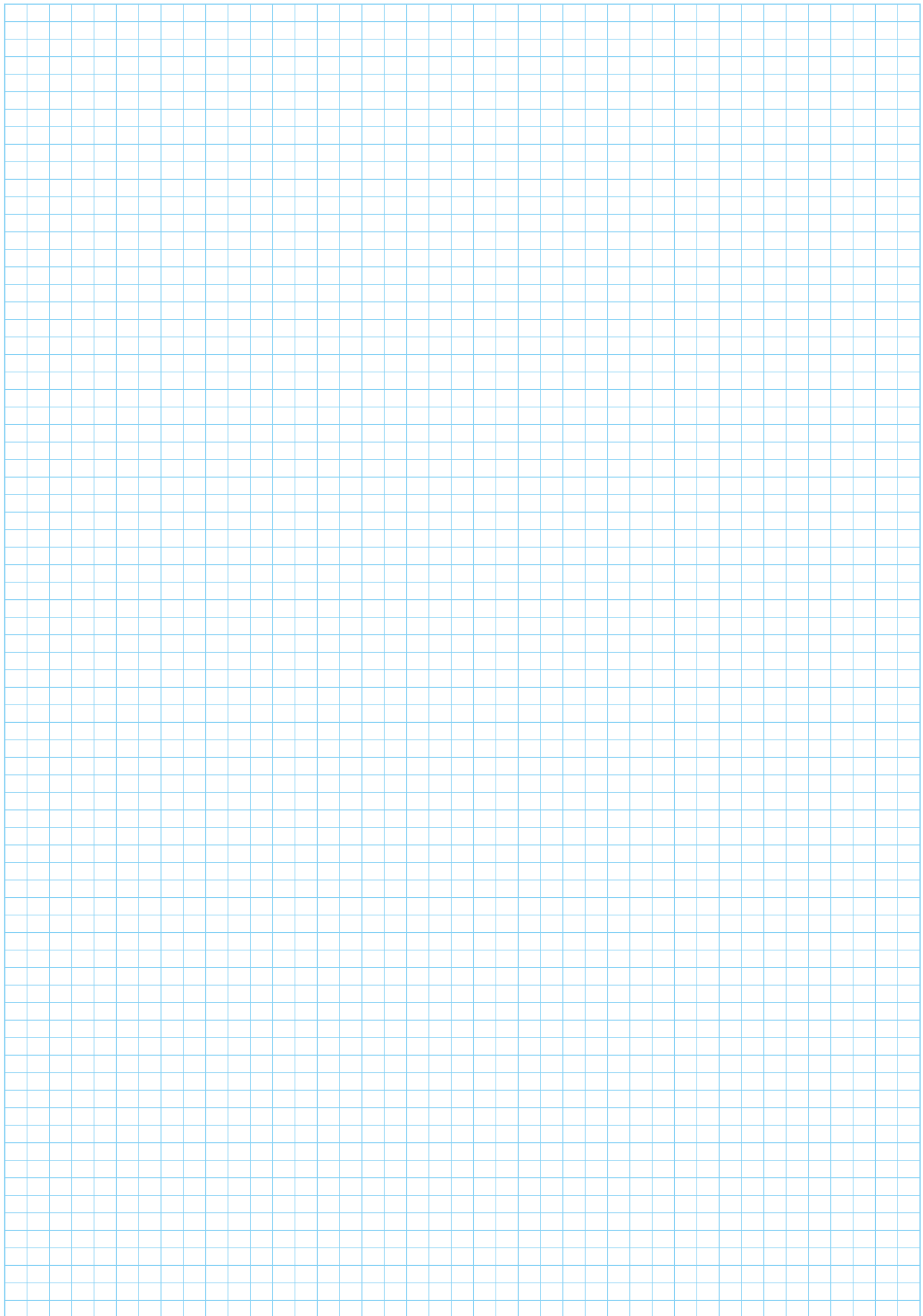
Bottom slat
TYPE II or III



Guide
SMPO

Name	Description	Photo
Elios Sensor RTS	<ul style="list-style-type: none"> • Wind sensor measures wind speed • LED indicates when the wind speed threshold is exceeded • Wireless communication with radio drive and/or radio receiver • Simple programming with one button • Simple way to set the wind speed threshold values in the sensor • "Demo" mode allows you to quickly check the sensor functions 	
Sunis WireFree RTS	<ul style="list-style-type: none"> • Wireless, for installation on the sunniest side of the building • Powered by solar cells. 100% independent from the electric power grid • Discreet, attractive housing for the building facade • Wireless communication with radio drive and/or radio receiver • Simple, fast and convenient installation with separate wall-mounted hanger • Maintenance-free and long-lasting energy storage, thanks to the use of a battery and capacitors • Increased energy efficiency achieved through convex lens kpcsc shape • Simple programming through a single button • Simple way to set light intensity thresholds in the sensor • "Demo" mode allows you to quickly check the sensor functions • Solar automation can be switched on and off using the Telis Soliris RTS remote control 	
Soliris Sensor RTS	<ul style="list-style-type: none"> • The wind-solar sensor measures wind speed and light intensity • Solar automation can be switched on or off using the Telis Soliris RTS transmitter • LED indicates when wind speed and light intensity thresholds are exceeded • Wireless communication with radio drive and/or radio receiver • Simple programming with one button • Simple way to set wind speed and light intensity threshold values in the sensor • "Demo" mode allows you to quickly check the sensor's functions. 	
Eolis WireFree io	<ul style="list-style-type: none"> • Reliable wind protection hidden in a stylish, modern design • A solution for the building facade without the need to run wires • Easy and quick installation thanks to battery power and wireless communication with io radio drives • Remote programming of wind speed thresholds in Easy Sun io (in combination with Sensor Box io) • Easy Sun io allows you to set different wind speed threshold values for different applications (awnings, external blinds, facade awnings) (in combination with Sensor Box io) • When used without Sensor Box io, the same wind speed threshold value is set for all devices • Display of the current threshold value and display of a message if the threshold value is exceeded • One sensor button for quick programming 	
Sunis WireFree II io	<ul style="list-style-type: none"> • Battery-powered solar sensor for building facade without wiring • Simple, fast and convenient installation with separate wall bracket • Transmits light intensity and battery status values to TaHoma controller • Single sensor button for quick programming 	

Name	Description	Zdjęcie
Situio 1 io / RTS	<ul style="list-style-type: none"> • 1 channel remote control for controlling one device or one group of devices • Three buttons to perform configuration: up, stop (My), down. • Function (My): set your favorite position such as covers. The (My) function allows you to program a comfort position and then call it up with one click. • The remote control comes in two radio protocols (they are not compatible with each other): • RTS (Radio Technology Somfy) - an older protocol operating at 433.42 MHz • io (io-homecontrol) - a newer protocol operating at 868 - 870 MHz with two-way communication and encryption. 	
Situio 5 io / RTS	<ul style="list-style-type: none"> • 5 channel remote control for controlling five devices or five groups of devices • Three buttons to perform configuration: up, stop (My), down. • Function (My): set your favorite position such as covers. The (My) function allows you to program a comfort position and then call it up with one click. • The remote control comes in two radio protocols (they are not compatible with each other): • RTS (Radio Technology Somfy) - an older protocol operating at 433.42 MHz • io (io-homecontrol) - a newer protocol operating at 868 - 870 MHz with two-way communication and encryption. 	
Smoove Origin io / RTS	<ul style="list-style-type: none"> • 1 channel radio transmitter for controlling one or more drives. Individual or group control possible. • Operation via push buttons. • Possible operation of a single device or a group of devices in one room. • Compatible with Somfy 50 x 50 frames. • UP button raises blinds and retracts awnings or turns on Lighting. • The my button stops the shade or calls up the individually set comfort position. • The DOWN button lowers the blinds and unfurls the awnings or turns Lighting off. • The programming button is located on the back of the module. • The mounting plate allows for simple and fast wall mounting, the UP plug socket is no longer required. • LEDs indicate commands being sent. • Wireless - battery-powered, and thus minimal installation works. • The remote control comes in two radio protocols (they are not compatible with each other): • RTS (Radio Technology Somfy) - an older protocol operating at 433.42 MHz • io (io-homecontrol) - a newer protocol operating at 868 - 870 MHz with two-way communication and encryption. 	





PRODUCENT ROLET I ŻALUZJI

www.fill.com.pl